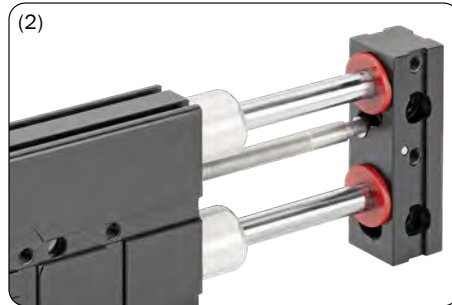


**Pneumatic Slide (series ZL)**

- Designed for EOATs.
- Double-acting.
- Flat profile.
- Opening stroke adjustment (1).
- Polyurethane shock-absorbers (2).
- Optional magnetic sensors (3).



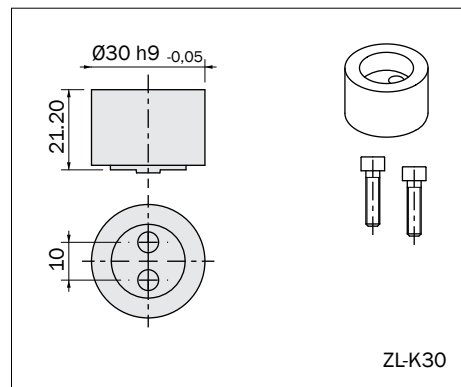
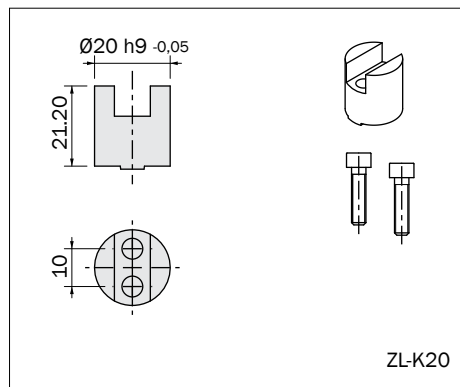
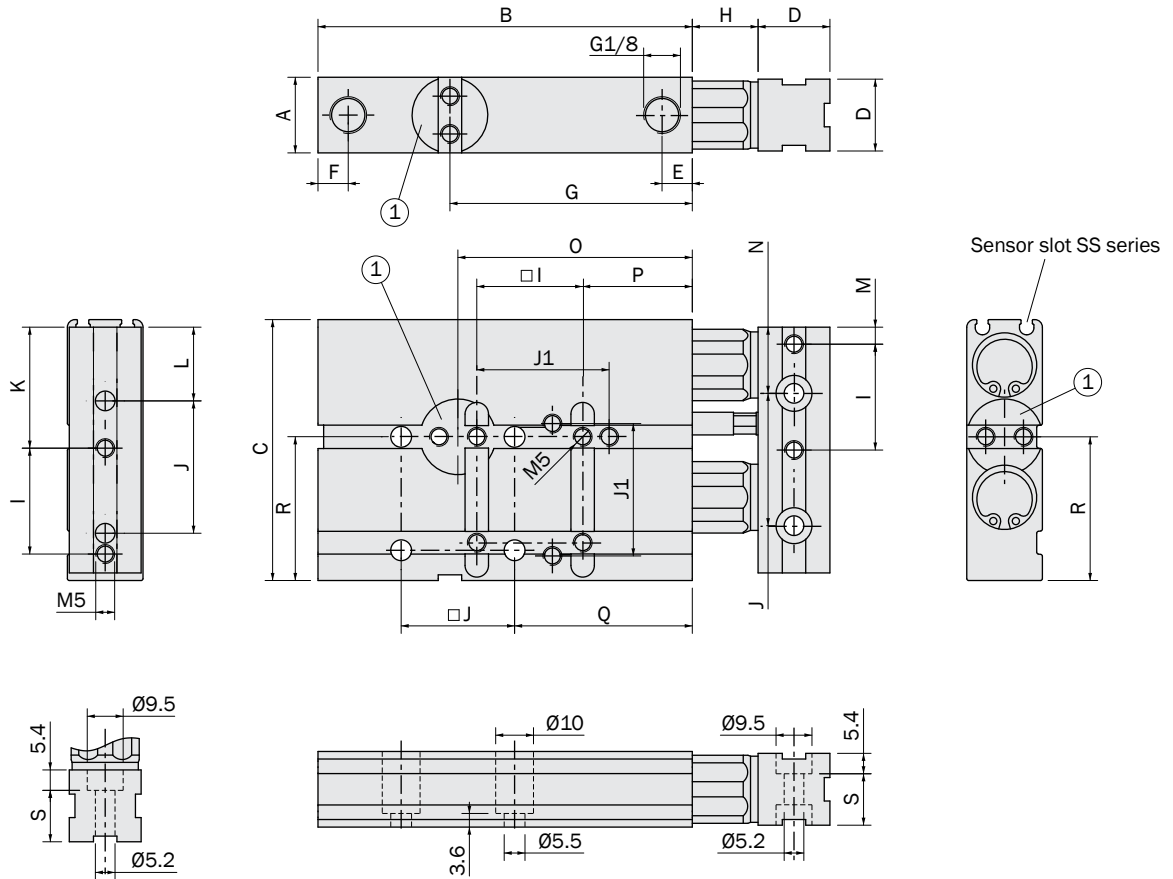
SS4N225G	PNP	2.5m cable	\$26.14
SS4M225G	NPN	2.5m cable	\$26.14
SS3N203G	PNP	M8 connector	\$29.96
SS3M203G	NPN	M8 connector	\$29.96

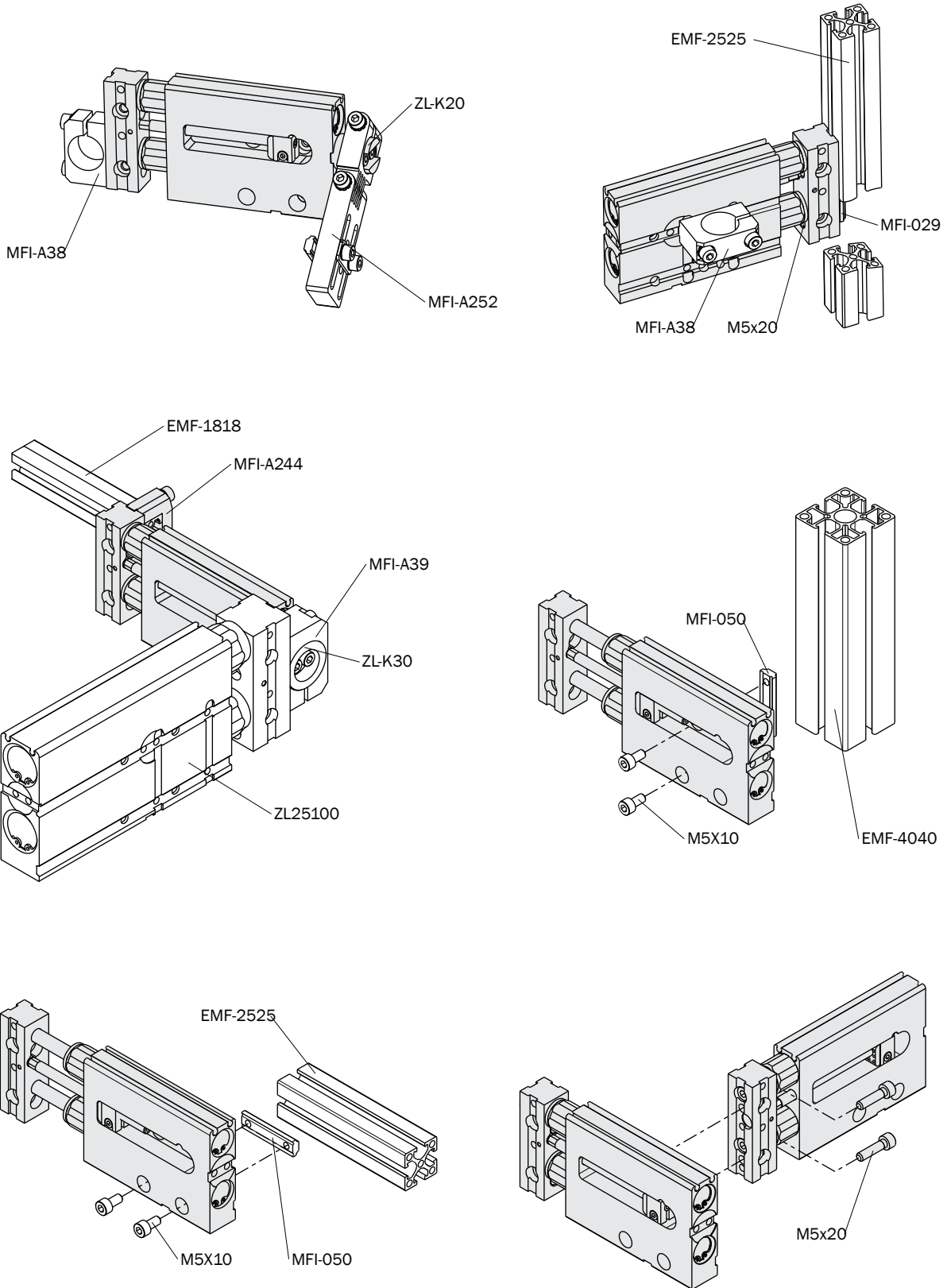
	<b>NEW</b> ZL1650	<b>NEW</b> ZL16100	<b>NEW</b> ZL2550	<b>NEW</b> ZL25100
Price	\$379.00	\$393.00	\$443.00	\$461.00
Medium	Filtered, lubricated / non lubricated compressed air			
Pressure range	29 - 116 psi			
Temperature range	41 - 140°F			
Retraction force at 87 psi	45 lbf		112.4 lbf	
Extension force at 87 psi	33.7 lbf		85.4 lbf	
Stroke	0-50 mm	0-100 mm	0-50 mm	0-100 mm
Cycle air consumption	5.5 cm <sup>3</sup>	10 cm <sup>3</sup>	10.2 cm <sup>3</sup>	23.5 cm <sup>3</sup>
Minium actuating time	0.18 s	0.24 s	0.30 s	0.45 s
Maximum working frequency	1 Hz			
Weight	420 g	580 g	880 g	1160 g

**Dimensions (mm)**

	A	B	C	D	E	F	G	H	I	J	J1	K	L	M	N	O	P	Q	R	S
ZL1650	20	99	69	19	8	8	64.1	17.4	28	35	35	32	19.5	4.5	17.5	62	29	47	38	13.6
ZL16100	20	149	69	19	8	8	64.1	17.4	28	35	35	32	19.5	4.5	17.5	62	29	47	38	13.6
ZL2550	30	101	87	29	8.5	9.5	64.1	17.4	40	40	-	24.5	31.5	7	22	62	17	37	47	23.6
ZL25100	30	151	87	29	8.5	9.5	64.1	17.4	40	40	-	24.5	31.5	7	22	62	17	37	47	23.6

1 Mounting position for ZL-K20 e ZL-K30





**Application example**

**ZL 25**

