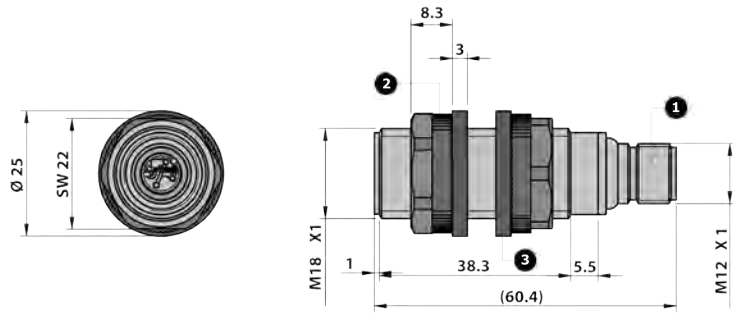


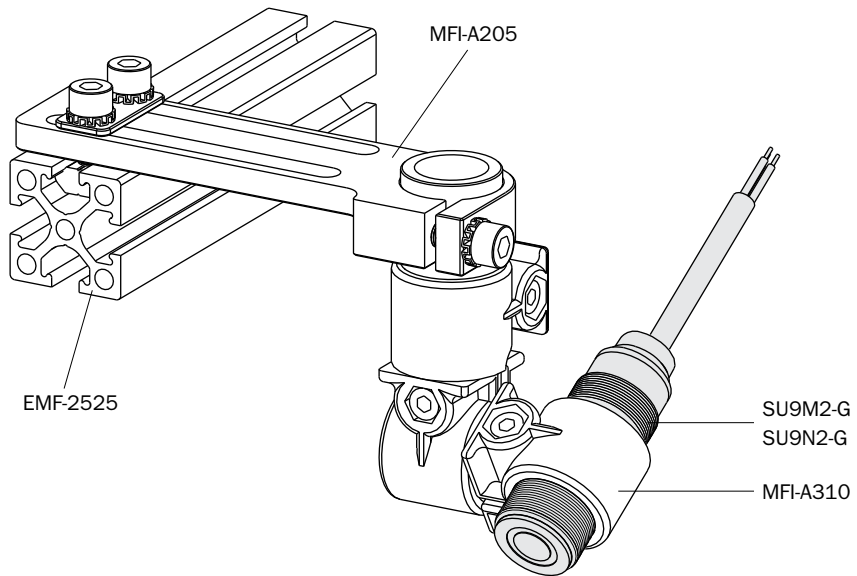
**Ultrasonic sensors**

- M18x1 mm ultrasonic sensors.
- PNP/NPN digital output with NO or NC programmable logic.
- 40-300 mm sensing range with programmable point via External Teach.
- 4-pin M12 output connector.
- Short and lightweight plastic body.
- Lock nuts and washers included in the supply.

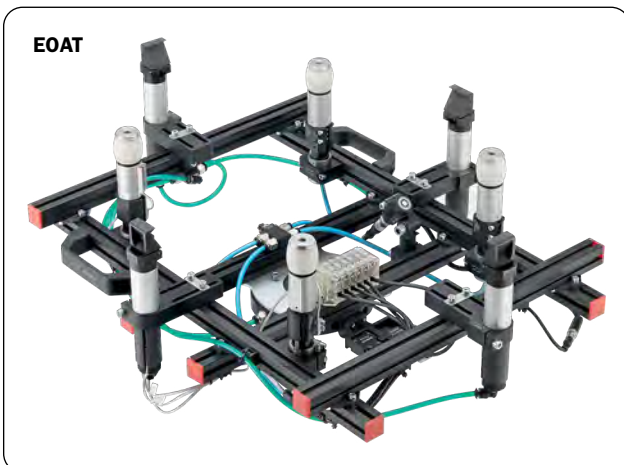


**Dimensions (mm)**

**Fixing examples**



**Application examples**



	SU9N2-G	SU9M2-G
Price	Call Gimatic USA	
Output type	PNP	NPN
Maximum sensing distance	300 mm	
Minimum sensing distance (blind zone)	40 mm	
Sensing range	40-300 mm	
Beam angle	±10°	
Switching frequency	40 Hz	
Response time (digital output)	13 ms	
Hysteresis	2%	
Repeatability	2% of full-scale value	
Linearity error	≤ 3 of full-scale value	
Temperature range	-20° +60°C	
Temperature compensation	Yes	
Thermal drift	≤ 7%	
Power supply voltage	+15±30 Vcc	
Ripple	± 5%	
Leakage current	≤ 10 µA @ 30 Vcc	
Output voltage drop	2.2 V max. @ (IL=100 mA)	
Input current	≤ 40 mA	
Output current (digital output)	100 mA	
Minimum load resistance	500 Ω (energized analog output)	
Adjustment set point	External Teach-in	
Time delay before availability (digital output)	≤ 300 ms	
Electromagnetic compatibility	Complies with Directive 2004/108/EC in accordance with EN 60947-5-2	
Protection rating	IP67(3)	
Tightening torque	1 Nm	
Weight (connector output)	15 g (output connector)	
Wiring diagrams		
Connector		
	Brown BN (+); Blue BU (-); Black BK (OUT); White WH (OUT)	

04/2020