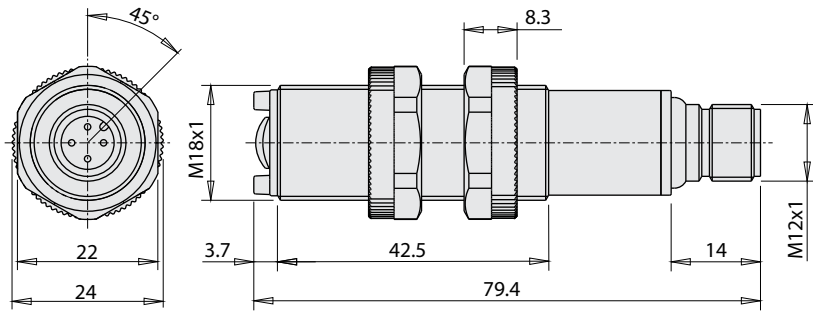


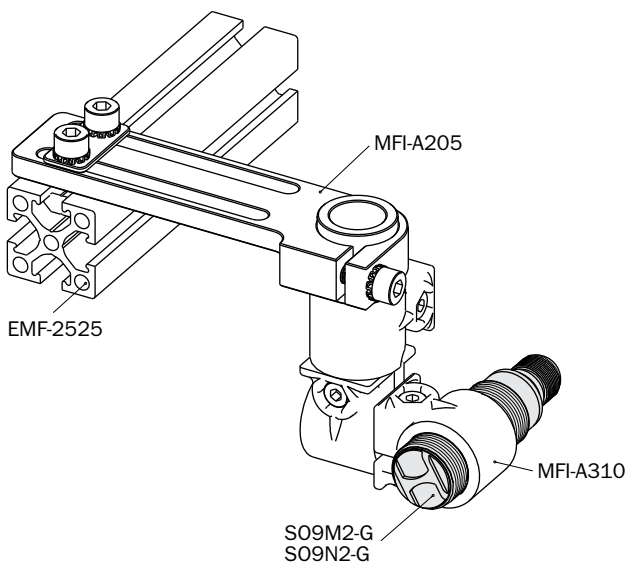
Optical sensors

- M18x1 mm optical sensors.
- 100 mm background suppression without adjustment.
- PNP/NPN digital output, with programmable LO or DO pulse logic.
- Embedded LED indicator.
- 4-pin M12 connector output.
- Short and lightweight plastic body.
- Lock nuts and washers included.

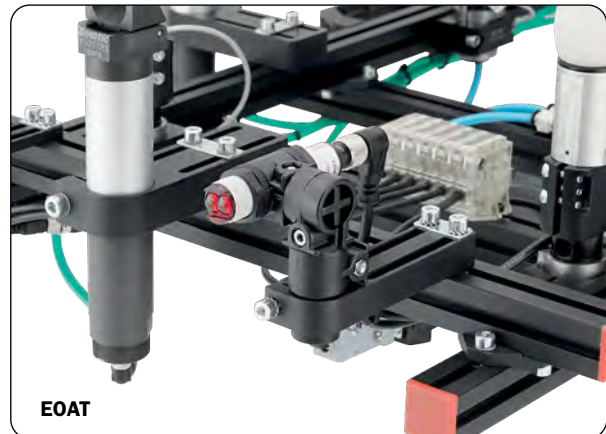


Dimensions (mm)

Fixing examples

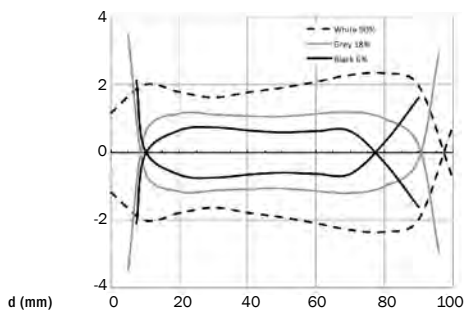


Application examples

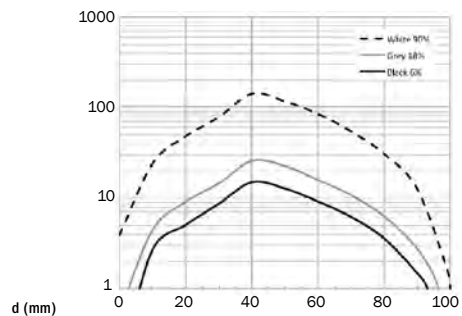


| | S09N2-G | S09M2-G |
|--------------------------------|--|---------|
| Price | Call Gimatic USA | |
| Output type | PNP | NPN |
| Nominal sensing distance | 100 mm | |
| Measurement range | white (90%): 0 ÷ 50 mm - grey (18%): 5 ÷ 50 mm - black (6%): 8 ÷ 50 mm | |
| Minimum detectable object | 3.5 mm | |
| Hysteresis | ≤ 10 % | |
| Repeat accuracy | 5% | |
| Operating voltage | +10 ÷ 30 Vcc | |
| Output current | 100 mA | |
| Operating frequency | 1 kHz | |
| Time delay before availability | | |
| Temperature range | 200 ms (at 100% saturation) | |
| Protection rating | IP67 (EN60529) | |
| Tightening torque | 1 Nm | |
| Weight | 30 g | |
| Wiring schematics | | |
| Connections | <p>Brown BN (+); Blue BU (-); Black BK (OUT); White WH (OUT)</p> | |

parallel misalignment (mm)



excess of gain



For proper sensor operation, the moving object must cross the emitter (1) and the receiver (2) simultaneously.

