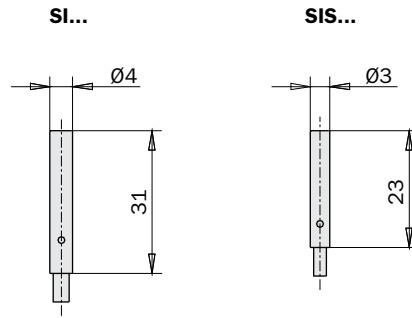


Inductive sensors

- Inductive sensors with anti-interference function.
- Stainless steel sensor body and PBT sensitive surface.
- Embedded LED indicator.
- PNP or NPN logic outputs.



Dimensions (mm)

Application examples



	SI4M225-G	SI4N225-G	SIS4M225-G	SIS4N225-G
Price	Call Gimatic USA			
Sensor type	Magnetoresistive NPN Normally Open	Magnetoresistive PNP Normally Open	Magnetoresistive NPN Normally Open	Magnetoresistive PNP Normally Open
Nominal sensing distance	0.8 mm		0.7 mm	
Hysteresis	2...20% of Sn			
Output indicator	red LED			
Switching frequency	< 5 kHz			
Voltage supply range +Vs	10 ... 30 VDC			
Current consumption max. (no load)	12 mA			
Output voltage Vd	< 2 VDC			
Switching current	< 100 mA			
Short-circuit protection	Yes			
Reverse polarity protection	Yes			
Type	cylindrical smooth			
Material (sensing face)	LCP			
Housing material	stainless steel			
Dimensions	4 mm		3 mm	
Case length	31 mm		23 mm	
Standard cable length	2.5 m			
Operating temperature	-25 ... +75 °C			
Protection rating	IP 67			
Wiring diagrams				
Connections	<p>Brown BN(+); Blue BU(-); Black BK (OUT)</p>			