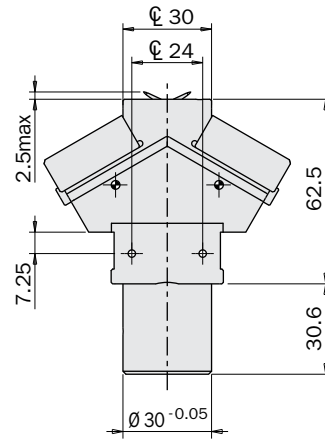
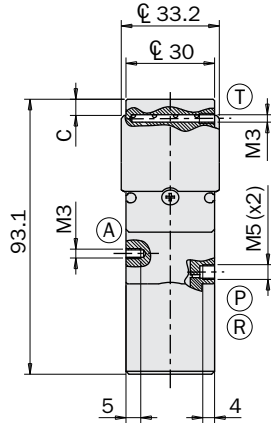
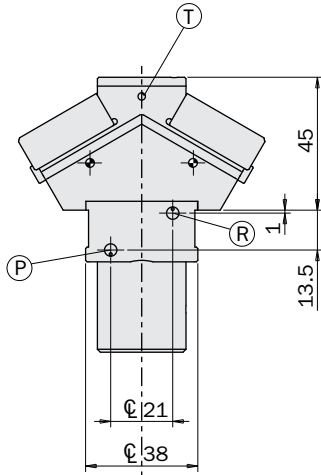


**Self-centering pneumatic needle gripper series PT**

- 4 needles (PT25) or 8 needles (PT28) with 2mm diameter.
- Suitable for plastics, textile and food industry.
- Double acting.
- Needle simultaneous stroke adjustment (1).
- Several mounting accessories (2).
- PT25: Large through hole (3).
- PT28: Blow-off port (T) for cleaning and releasing.
- PT28: Pad in PTFE (4) for hot surface contact.
- PT28: Optional magnetic sensors (5).

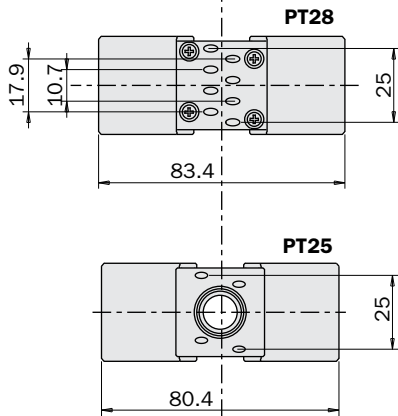


(A) Hole for fastening

(T) Air connection

(P) Needles in

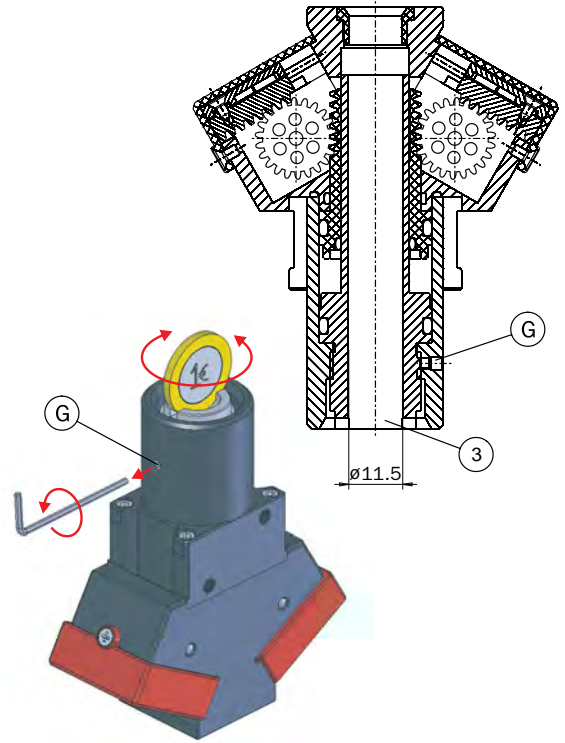
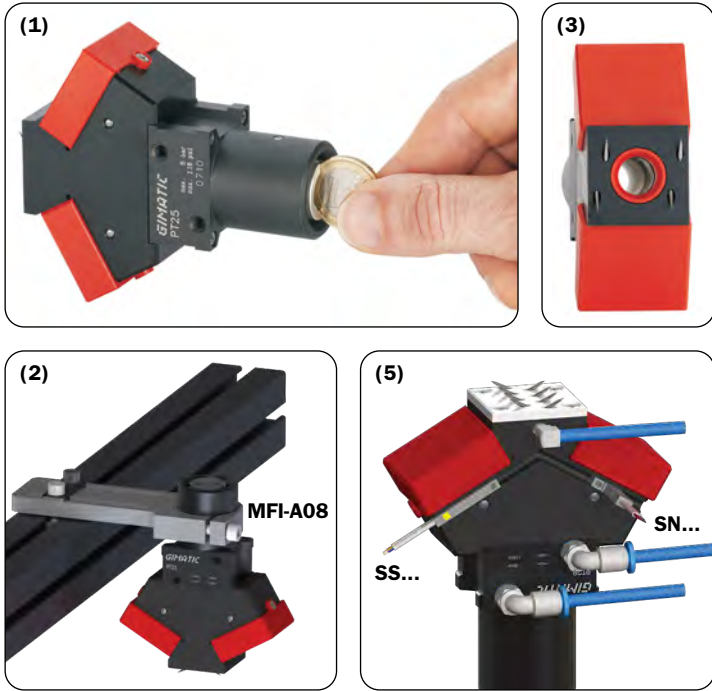
(R) Needles out



	PT25	PT28
Price	\$370.00	\$499.00
Medium	Filtered compressed air, lubricated or non-lubricated	
Pressure range	44-116 psi	
Temperature range	41-140 °F	
Total gripping force	20.2 lbf	
Needle stroke	0.039"-0.275" (1-7 mm)	
Air consumption per cycle	0.2 in <sup>3</sup>	
Weight	165g	182g

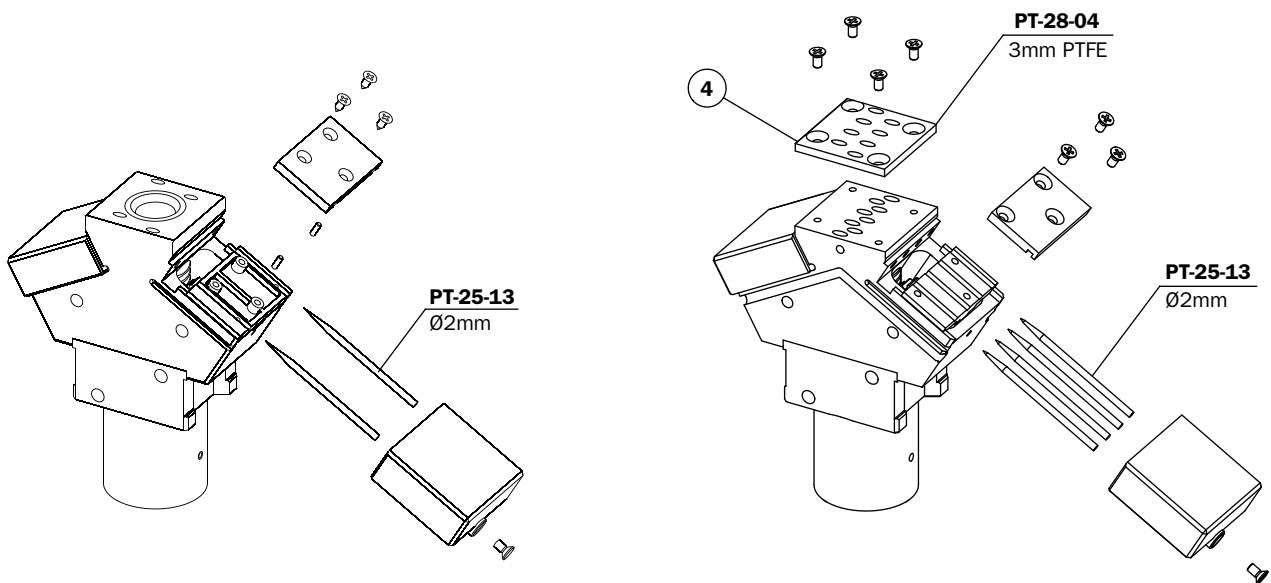
**Stroke adjustment**

The gripper is self-centering.  
Therefore the piston end-stroke determines the stroke of all needles.  
It is possible to adjust this stroke, by an 1-euro coin, after the grub screw (G) has been loosened.



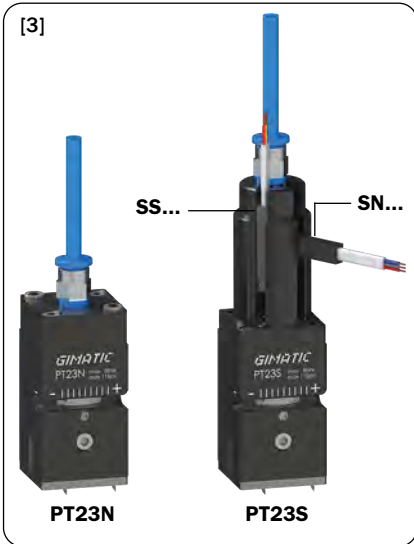
**Maintenance**

The needles can be easily replaced, when necessary.  
The ordering code of one needle is PT-25-13.  
After five million cycles re-lubricate the gripper.  
Suggested grease: BERULUB FG-H 2 SL  
(Lubricant NSF H1 Registration No. 135919).



**Self-centering pneumatic needle mini-gripper series PT**

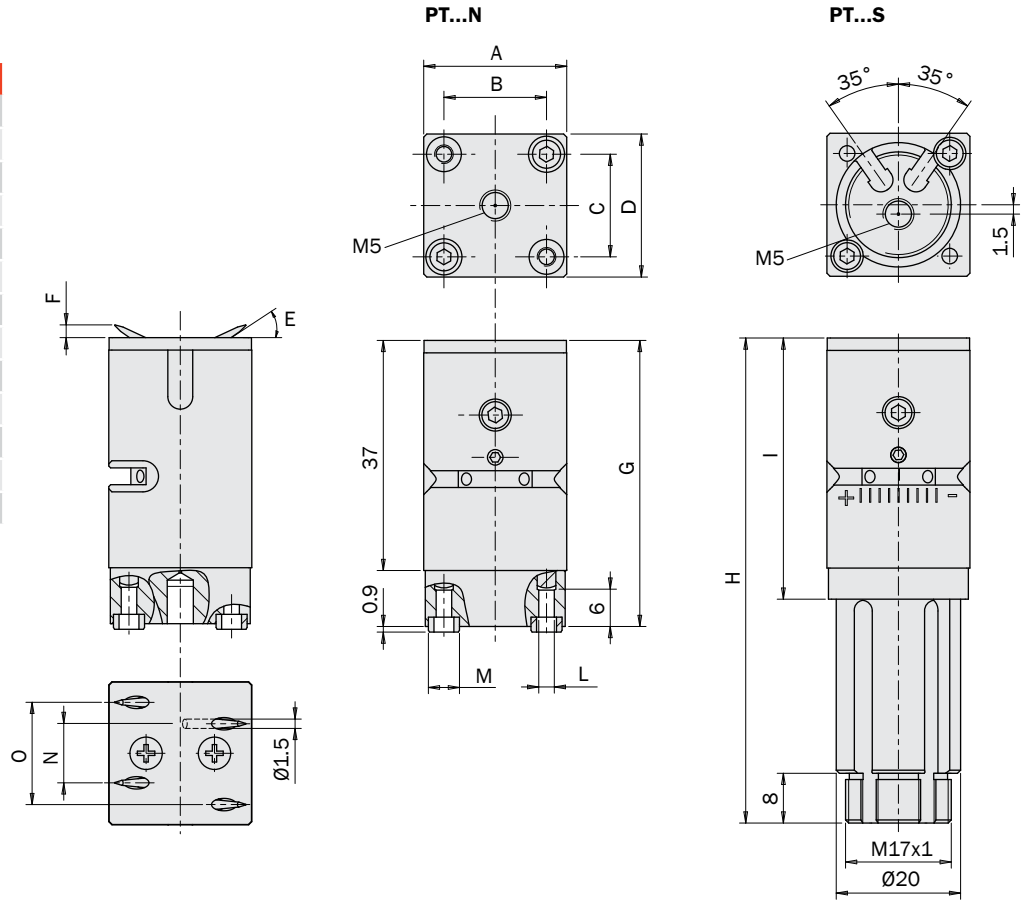
- 4 needles with diameter 1.5mm.
- Suitable for plastics, textile and food industry.
- Single acting (normally closed).
- Needle simultaneous stroke adjustment.
- PT23S and PT30S: clamp mounting [1].
- PT23N and PT30N: plate mounting [2].
- Optional magnetic sensors for PT23S and PT30N [3].



	PT23N	PT23S	PT30N	PT30S
Price	\$337.50	\$384.00	\$395.00	\$440.00
Medium	Filtered, lubricated / non lubricated compressed air			
Pressure range	44-116 psi			
Temperature range	41-140 °F			
Opening total gripping force at 87 psi	3.54 lb-in		4.42 lb-in	
Needle stroke	0-4 mm		0-7 mm	
Cycle air consumption	0.036 in <sup>3</sup>		0.067 in <sup>3</sup>	
Weight	74 g	92 g	115 g	134 g

**Dimensions (mm)**

	PT23...	PT30..
A	23	28
B	16.5	18
C	16.5	18
D	23	28
E	30°	35°
F	2 max	4 max
G	46.5	54
H	78.5	87.5
I	42.5	51.5
L	M3(x2)	M4(2x)
M	5 h8 (x2)	7 h8 (2x)
N	9.5	9
O	16.5	18



FIRST ANGLE PROJECTION

**Stroke adjustment**

The gripper is self-centering. Therefore the piston end-stroke determines the stroke of all needles. To adjust the stroke, loosen the grub screw (G) and move the ferrule (A) by a 1.5mm allen key (B).

**Maintenance**

The needles can be easily replaced, when necessary. The ordering code of a set with 4 needles is: PT23-K4 for PT23N and PT23S; PT30-K4 for PT30N and PT30S. Suggested grease: BERULUB FG-H 2 SL (Lubricant NSF H1 Registration No. 135919).

