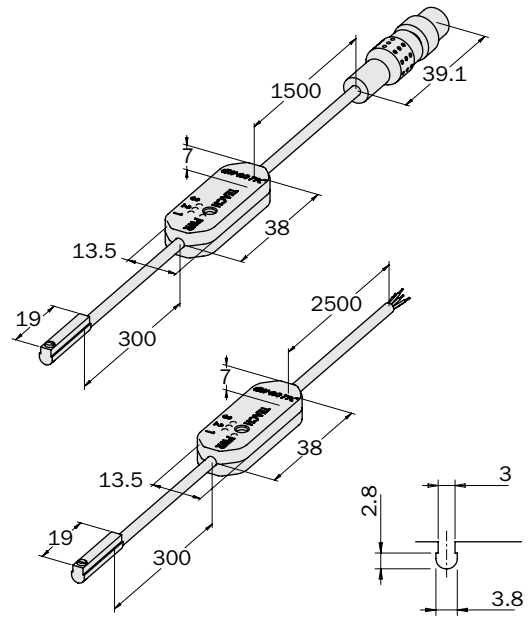


## Programmable Pro SS magnetic sensors

- Programmable GMP sensors.
- 3 independent digital outputs.
- Each programmable output in NO or NC logic.
- Versions available with PNP or NPN outputs.
- Cable or M8 connector output.
- 100% traceability.
- Standard C-slot inline mounting.
- Optional K-SENS slot adaptors.
- Optional 2.5m, 5m and 10m cable extension.
- Axial mounting.



## Application examples

Dimensions (mm)

SZ...



PB...



MPPM...



GS...



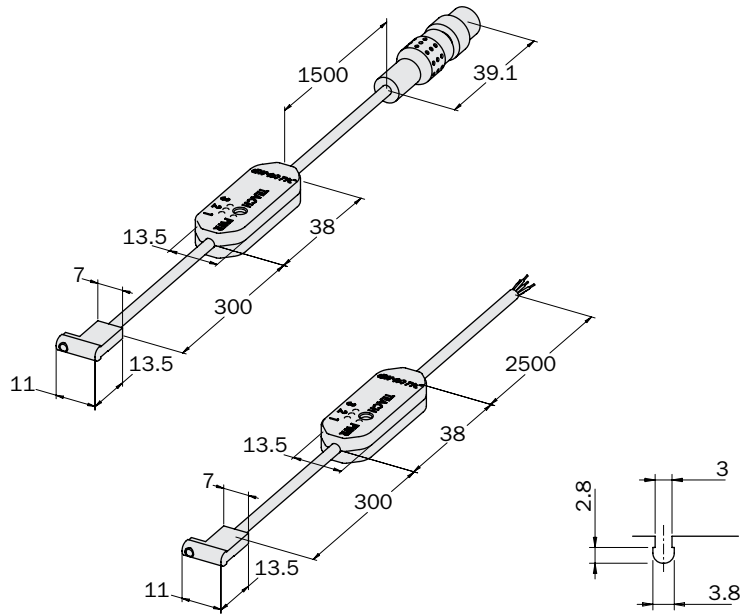
Sensor with cable	PRO-SS4N225-G	PRO-SS4M225-G
Sensor with M8 connector	PRO-SS3N215-G	PRO-SS3M215-G
Price	\$67.00 \$88.00	\$67.00 \$88.00
Sensor type	Magneto-resistive PNP	Magneto-resistive NPN
No. of outputs	3 outputs ( e.g. gripper open, closed, workpiece gripped )	
Outputs type	NO/NC independently configurable	
Maximum switching delay	50 ms	
Power supply	24 Vdc	
Operating range	10÷1300 Gauss	
Max. switching frequency	300 kHz	
Operating temperature	-10÷60 °C	
Reverse polarity protection	Yes	
Protection rating	IP 67	
Sensor body material	PA	
Standard cable length	2.5 m (flying cable) - 0.3 m (cable with M8 connector)	
Sheathing - insulation	POLYURETHANE FLAME-RETARDANT UL 92 V2	
Leads	0,08 mm <sup>2</sup> / AWG 28	
CE reference standards	CEI EN 60529; CEI EN 60947-5-2; CEI EN 61000-6-2; CEI EN 61000-6-3; CEI EN 55022; CEI EN 61000-4-2; CEI EN 61000-4-3; CEI EN 61000-4-4; CEI EN 61000-4-5; CEI EN 61000-4-6; CEI EN 61000-4-8; CEI EN 61000-4-11	
Wiring diagrams		
Connections	<p>Brown BN (+); Blue BU (-); Black BK (OUT 1); White WH (OUT 2); Grey GY (OUT 3); Not connected N.C.</p>	

The sensor's remote programming circuit has a button for the configuration and programming of outputs. Following a simple procedure, the user can configure each output as normally open (NO – yellow LED) or normally closed (NC – green LED) and store the switching point (separate for each output).  
With this type of sensor the ideal position for the sensitive head is halfway along the actuator stroke.



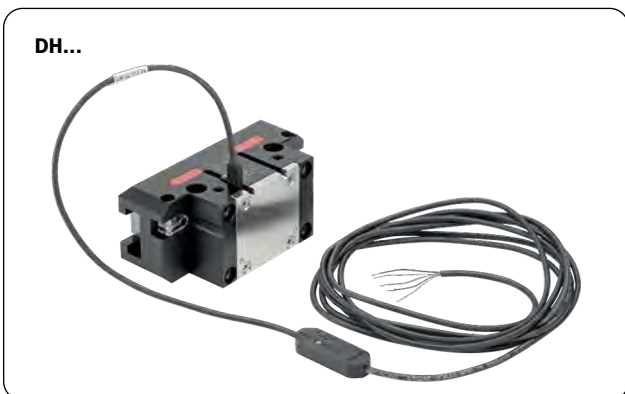
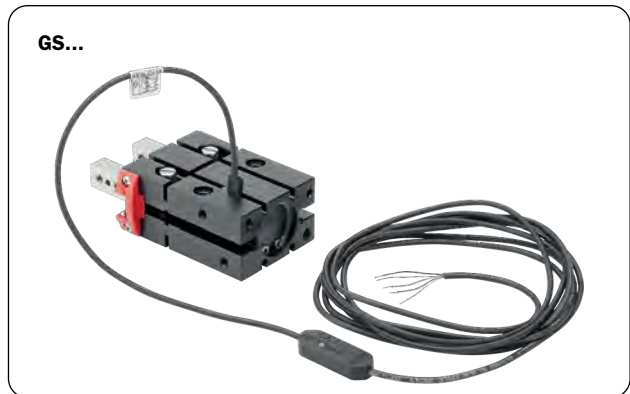
## Programmable Pro SN magnetic sensors

- Programmable GMP magnetoresistive sensors.
- 3 independent digital outputs.
- Each programmable output in NO or NC logic.
- Versions available with PNP or NPN outputs.
- Cable or M8 connector output.
- 100% traceability.
- Standard C-slot inline mounting.
- Slot adaptors on request.
- Optional 2.5m, 5m and 10m cable extensions.
- Axial mounting.



Dimensions (mm)

## Application examples



Sensor with cable	PRO-SN4N225-G	PRO-SN4M225-G
Sensor with male M8 connector	PRO-SN3N215-G	PRO-SN3M215-G
Price	\$67.00 \$88.00	\$67.00 \$88.00
Sensor type	Magneto-resistive PNP	Magneto-resistive NPN
No. of outputs	3 outputs ( e.g. gripper open, closed, workpiece gripped )	
Outputs type	NO/NC independently configurable	
Maximum switching delay	50 ms	
Power supply	24 Vdc	
Nominal operating range	10÷1300 Gauss	
Max. switching frequency	300 kHz	
Operating temperature	-10÷60 °C	
Reverse polarity protection	Yes	
Protection rating	IP 67	
Sensor body material	PA; AISI 303	
Standard cable length	2.5 m (flying cable) - 0.3 m (cable with M8 connector)	
Sheathing - insulation	POLYURETHANE FLAME-RETARDANT UL 92 V2	
Leads	0,08 mm <sup>2</sup> / AWG 28	
CE reference standards	CEI EN 60529; CEI EN 60947-5-2; CEI EN 61000-6-2; CEI EN 61000-6-3; CEI EN 55022; CEI EN 61000-4-2; CEI EN 61000-4-3; CEI EN 61000-4-4; CEI EN 65000-4-5; CEI EN 61000-4-6; CEI EN 61000-4-8; CEI EN 61000-4-11	
Wiring diagrams		
Connections	<p>Brown BN(+); Blue BU(-) Black BK (OUT1); White WH (OUT 2); Grey GY (OUT 3); Not connected N.C.</p>	

The sensor's remote programming circuit has a button for the configuration and programming of outputs. Following a simple procedure, the user can configure each output as normally open (NO – yellow LED) or normally closed (NC – green LED) and store the switching point (separate for each output). With this type of sensor the ideal position for the sensitive head is halfway along the actuator stroke.

