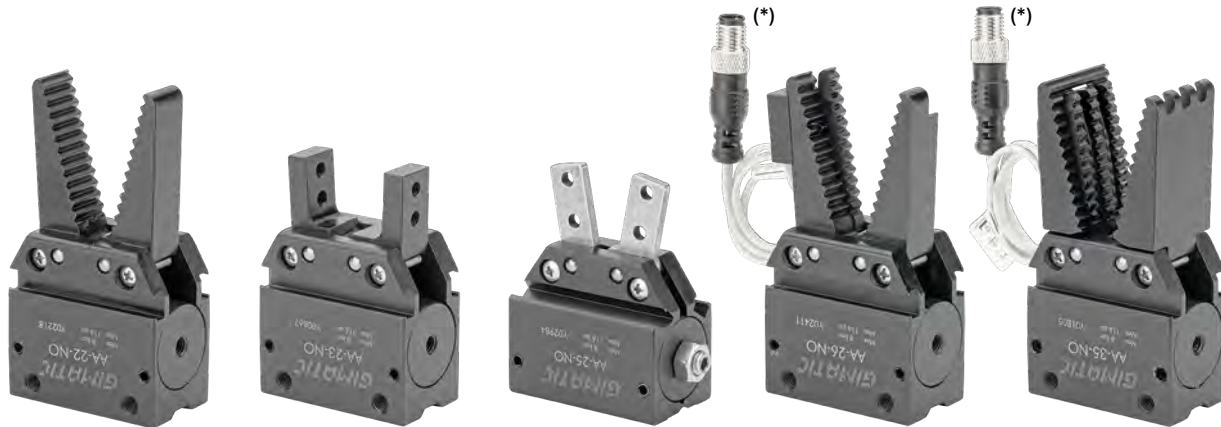


2-jaw self-centering angular pneumatic sprue gripper series AA

- Double acting or spring open (-NO).
- Very high gripping force related to the weight and dimensions.
- Different options for fastening.
- Optional magnetic sensors.
- Food grade grease FDA-H1.



AA-22-NO

AA-23-NO

AA-25-NO

AA-26-NO

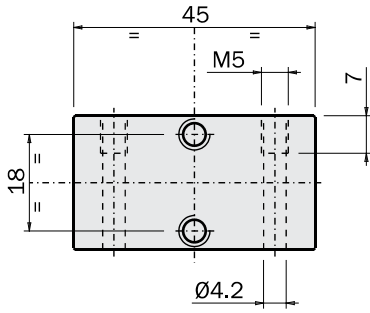
AA-35-NO

(*)
The sensor is not included

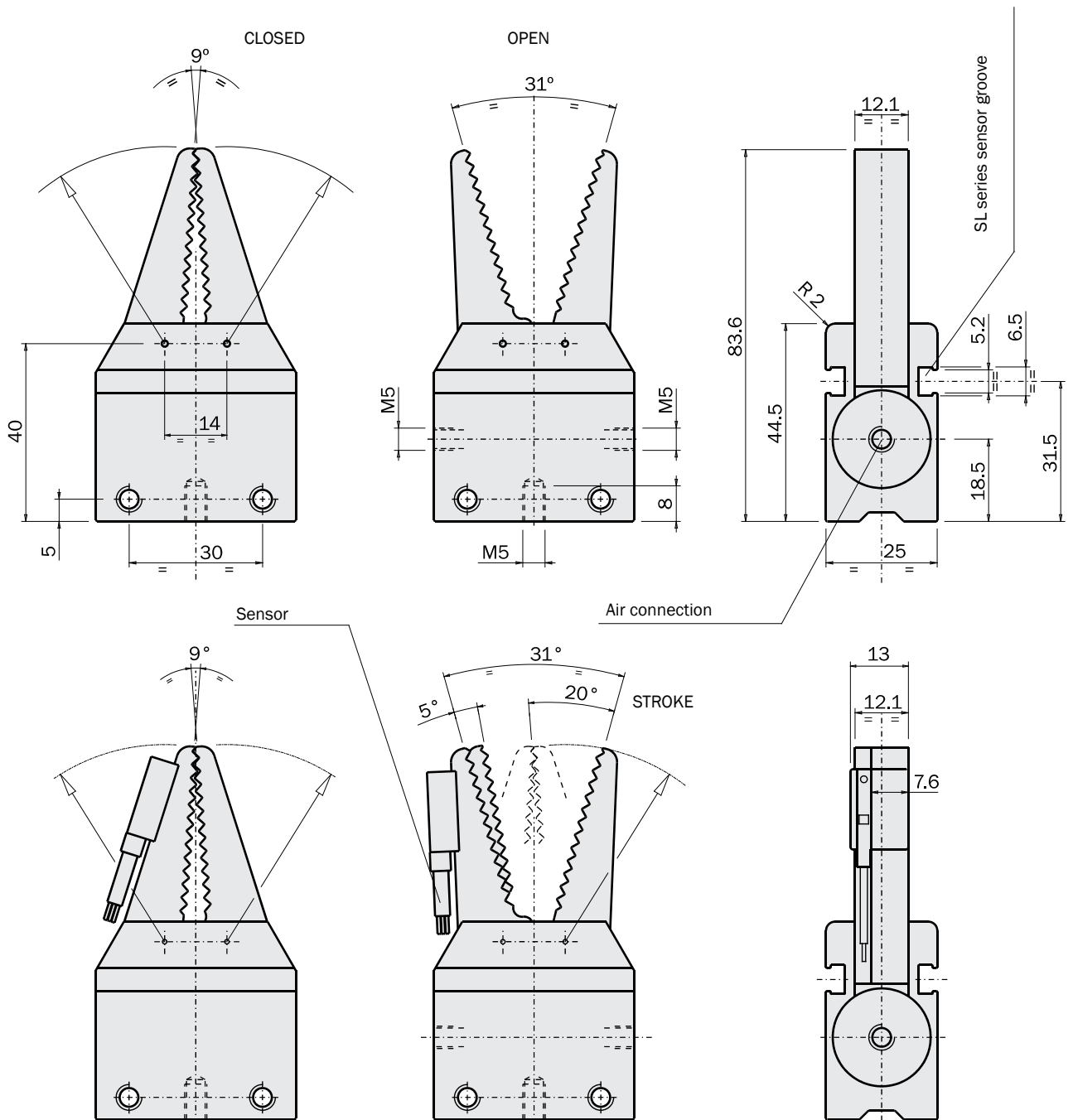
	AA-25-NO							
	AA-22	AA-22-NO	AA-23	AA-23-NO	AA-26	AA-26-NO	AA-35	AA-35-NO
Price	\$139.00	\$139.00	\$197.00	\$197.00	\$179.00	\$179.00	\$232.00	\$232.00
Medium	Filtered, lubricated / non lubricated compressed air							
Pressure range	36-116psi							
Temperature range	41-140°F							
Stroke (±1°)	2 x 20°							
Closing torque at 87 psi each jaw	13.2lb-in	11lb-in	13.2lb-in	11lb-in	13.2lb-in	11lb-in	13.2lb-in	11lb-in
Total closing torque at 87 psi	26.5lb-in	22.1lb-in	26.5lb-in	22.1lb-in	26.5lb-in	22.1lb-in	26.5lb-in	22.1lb-in
Opening torque at 87 psi each jaw	13.2lb-in	15.4lb-in	13.2lb-in	15.4lb-in	13.2lb-in	15.4lb-in	13.2lb-in	15.4lb-in
Total opening torque at 87 psi	26.5lb-in	30.9lb-in	26.5lb-in	30.9lb-in	26.5lb-in	30.9lb-in	26.5lb-in	30.9lb-in
Opening torque at 0 psi each jaw	0 lb-in	2.2in-lb	0 lb-in	2.2in-lb	0 lb-in	2.2in-lb	0 lb-in	2.2in-lb
Total opening torque at 0 psi	0 lb-in	4.4in-lb	0 lb-in	4.4in-lb	0 lb-in	4.4in-lb	0 lb-in	4.4in-lb
Maximum working frequency	2 Hz	2 Hz	2 Hz	2 Hz	2 Hz	2 Hz	2 Hz	2 Hz
Cycle air consumption	0.3in ³	0.12in ³	0.3in ³	0.12in ³	0.3in ³	0.12in ³	0.3in ³	0.12in ³
Closing time without load	0.02 s	0.02 s	0.02 s	0.02 s	0.02 s	0.02 s	0.02 s	0.02 s
Weight	115 g	115 g	100 g	100 g	120 g	120 g	140 g	140 g

Dimensions (mm)

- AA-22**
- AA-22-NO**
- AA-26**
- AA-26-NO**



AA-22

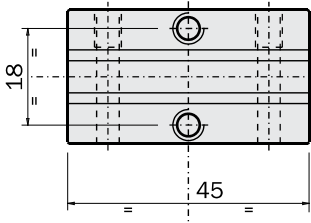


AA-26

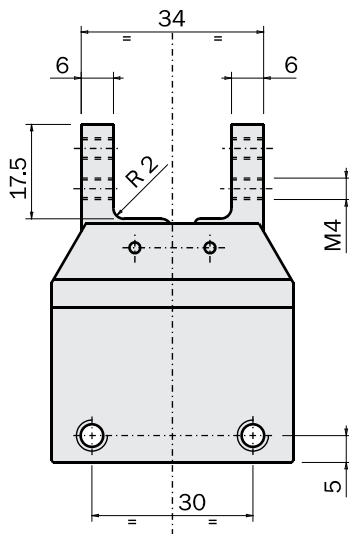
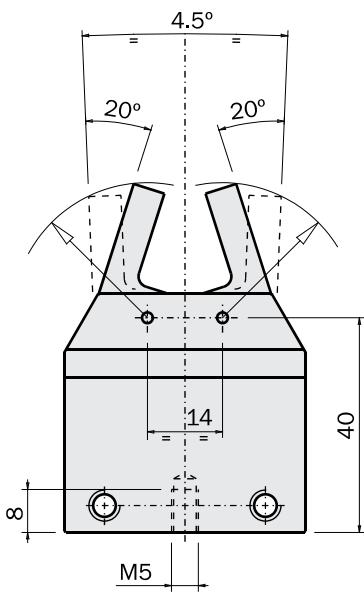


Dimensions (mm)

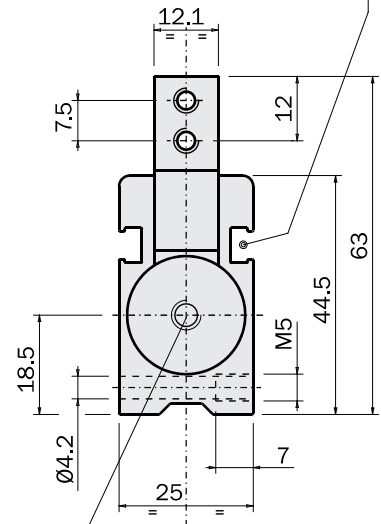
AA-23
AA-23-NO



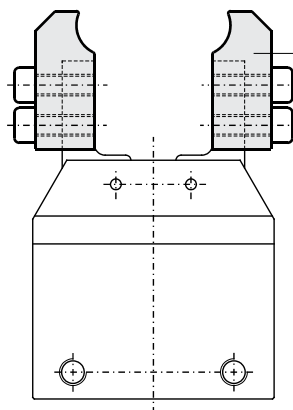
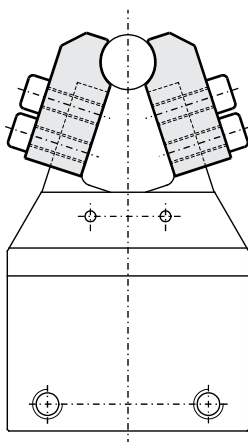
OPEN



SL series sensor groove



Air connection



Gripping tool (not supplied)

FIRST ANGLE
PROJECTION

Dimensions (mm)

AA-35
AA-35-NO

Wider, grooved fingers for a better gripping



FIRST ANGLE PROJECTION

