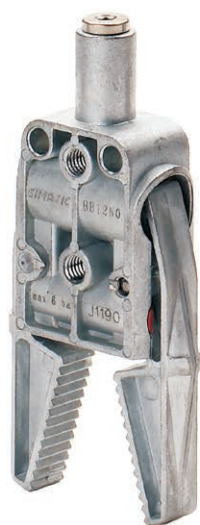


2-jaw non-selfcentering angular pneumatic sprue gripper series BB

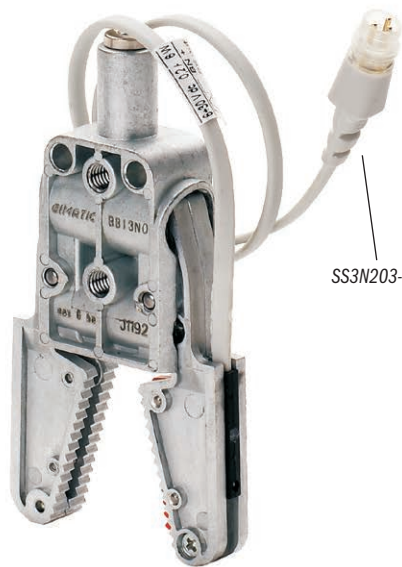
- BB-12-00 double-acting.
- BB-12-NO normally open.
- BB-13-NO normally open with sensor.
- Housing and jaws die-casted in zinc alloy (zamak).
- Flat profile.
- Two fastening options.



BB-12-00



BB-12-NO



BB-13-NO

SS3N203-G (*)

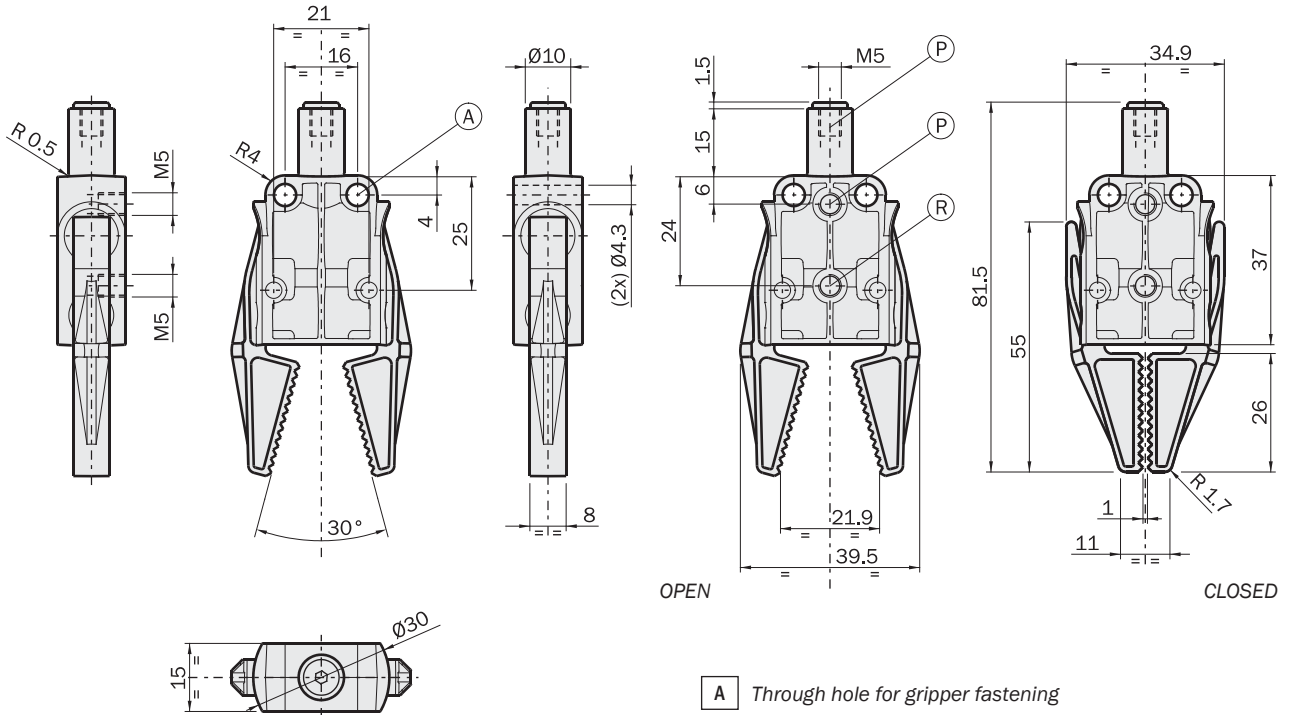
(*)
The sensor SS3N203-G is included.

	BB-12-00	BB-12-NO	BB-13-NO
Medium	Filtered, lubricated / non lubricated compressed air		
Pressure range	2.5 ÷ 8 bar		
Temperature range	5 ÷ 60 °C.		
Stroke (±2°)	2 x 15°		
Closing gripping torque at 6 bar each jaw	65 Ncm	60 Ncm	60 Ncm
Opening gripping torque at 6 bar each jaw	20 Ncm	-	-
Opening gripping torque at 0 bar each jaw	-	5 Ncm	5 Ncm
Maximum working frequency	3 Hz	3 Hz	3 Hz
Cycle air consumption	1.5 cm ³	1.1 cm ³	1.1 cm ³
Closing time without load	0.01 s	0.01 s	0.01 s
Weight	75 g	77 g	90 g

Dimensions (mm)

BB-12-00

BB-12-NO

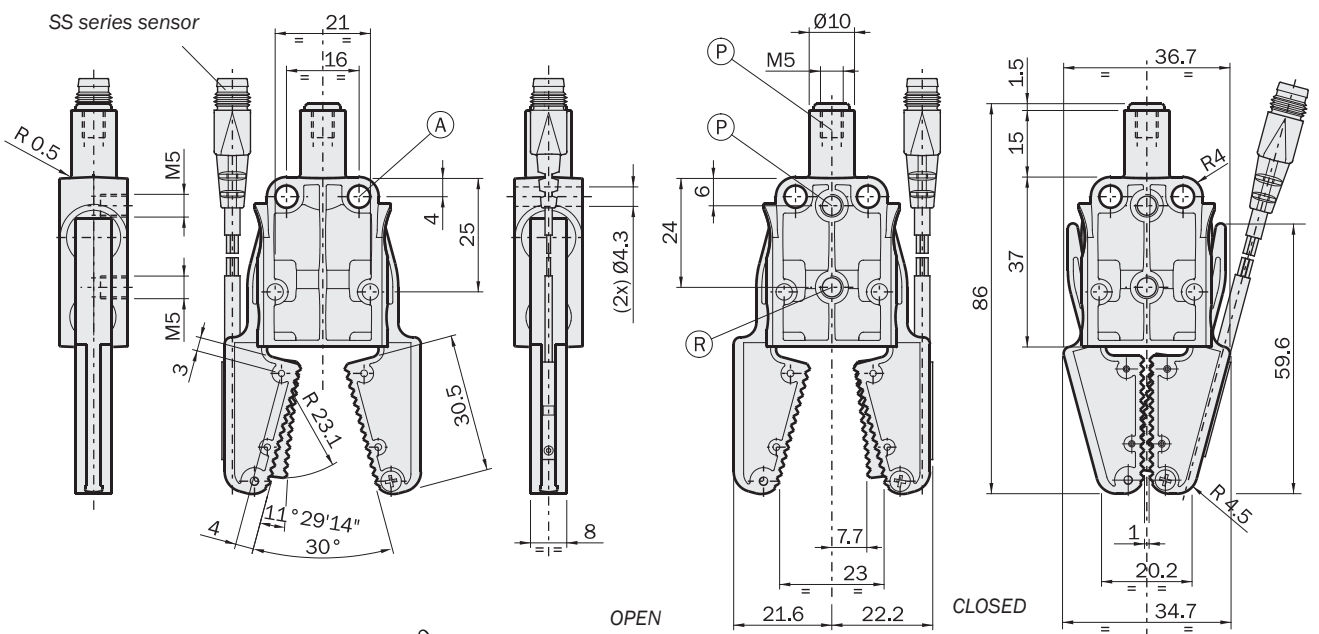


- A** Through hole for gripper fastening
- P** Compressed air in P: gripper closing
- R** Compressed air in R: gripper opening

FIRST ANGLE PROJECTION

Dimensions (mm)

BB-13-NO



- A** Through hole for gripper fastening
- P** Compressed air in P: gripper closing
- R** Compressed air in R: gripper opening

FIRST ANGLE PROJECTION