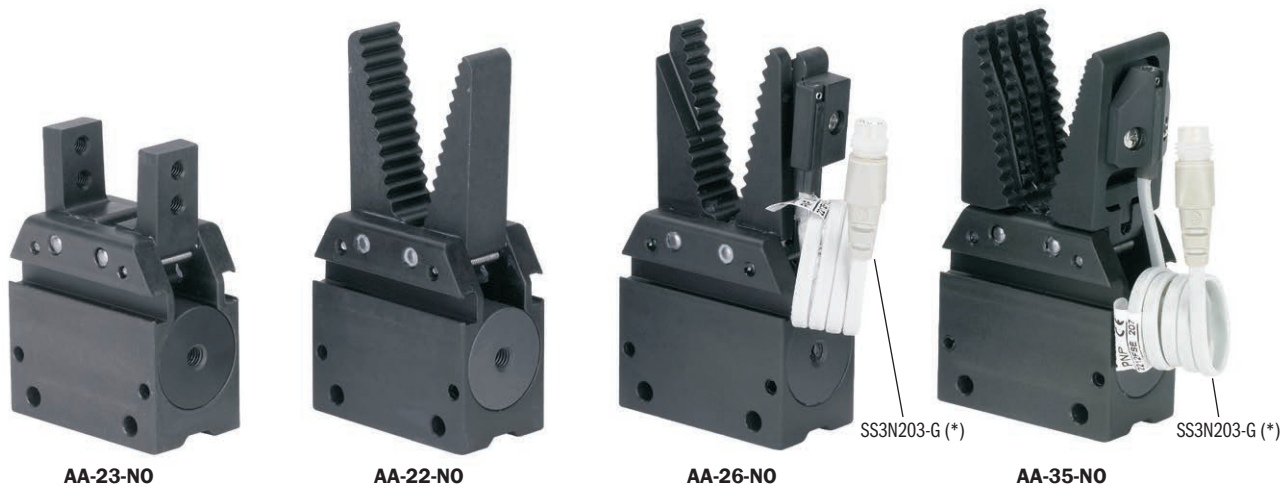


## 2-jaw self-centering angular pneumatic sprue gripper series AA

- Double acting or spring open (-NO).
- Very high gripping force related to the weight and dimensions.
- Different options for fastening.
- Optional magnetic sensors.

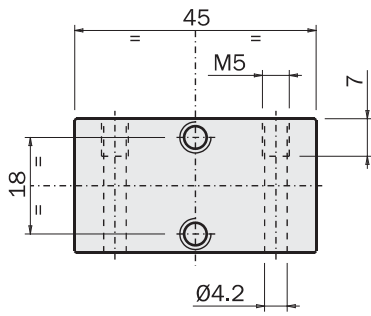


(\*)  
The sensor SS3N203-G is included.

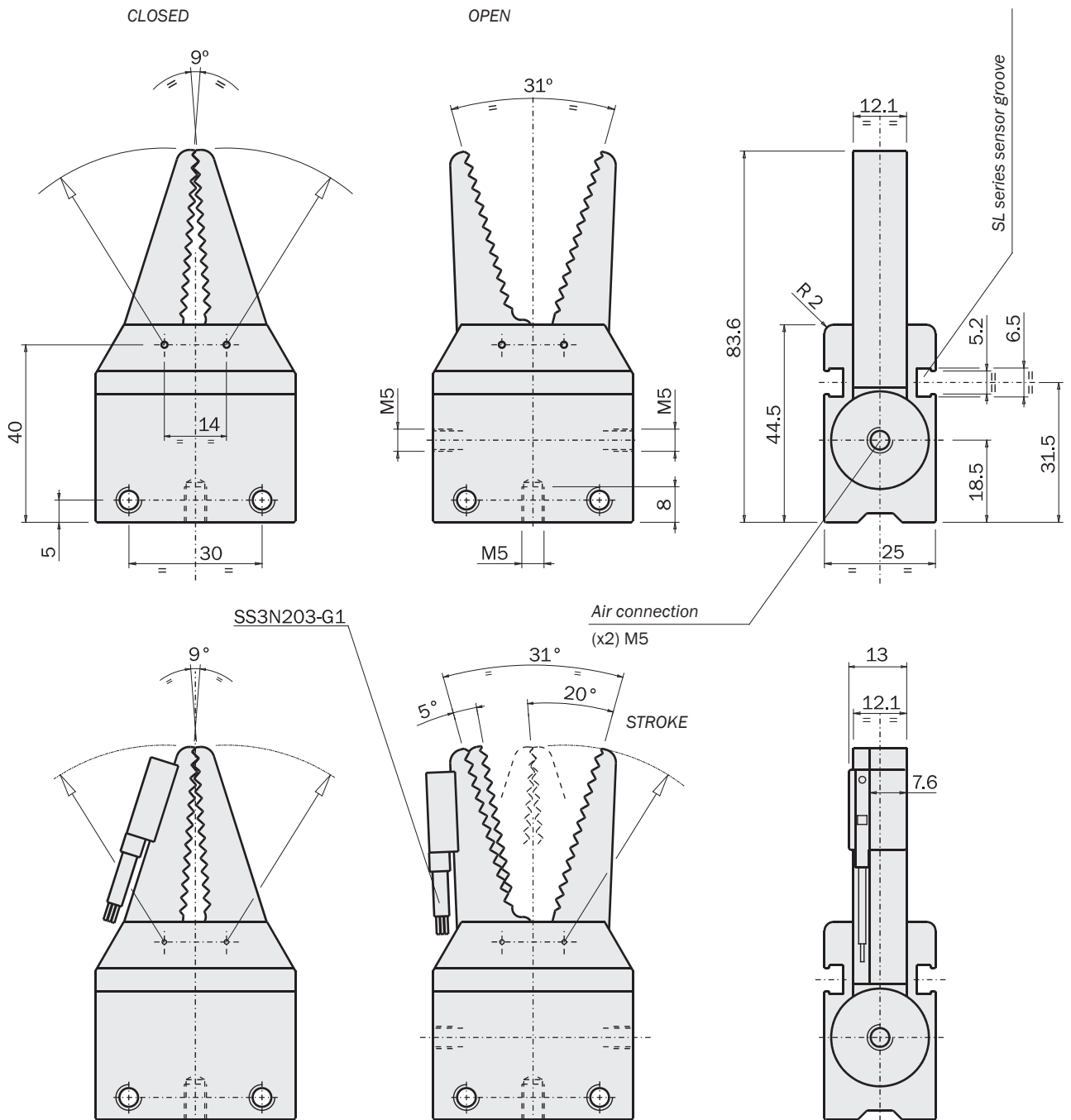
	AA-22	AA-22-NO	AA-23	AA-23-NO	AA-26	AA-26-NO	AA-35	AA-35-NO
Medium	Filtered, lubricated / non lubricated compressed air							
Pressure range	2.5 ÷ 8 bar							
Temperature range	5 ÷ 60 °C.							
Stroke (±1°)	2 x 20°							
Closing torque at 6 bar each jaw	150 Ncm	125 Ncm	150 Ncm	125 Ncm	150 Ncm	125 Ncm	150 Ncm	125 Ncm
Total closing torque at 6 bar	300 Ncm	250 Ncm	300 Ncm	250 Ncm	300 Ncm	250 Ncm	300 Ncm	250 Ncm
Opening torque at 6 bar each jaw	150 Ncm	175 Ncm	150 Ncm	175 Ncm	150 Ncm	175 Ncm	150 Ncm	175 Ncm
Total opening torque at 6 bar	300 Ncm	350 Ncm	300 Ncm	350 Ncm	300 Ncm	350 Ncm	300 Ncm	350 Ncm
Opening torque at 0 bar each jaw	0 Ncm	25 Ncm	0 Ncm	25 Ncm	0 Ncm	25 Ncm	0 Ncm	25 Ncm
Total opening torque at 0 bar	0 Ncm	50 Ncm	0 Ncm	50 Ncm	0 Ncm	50 Ncm	0 Ncm	50 Ncm
Maximum working frequency	2 Hz	2 Hz	2 Hz	2 Hz	2 Hz	2 Hz	2 Hz	2 Hz
Cycle air consumption	5 cm <sup>3</sup>	2 cm <sup>3</sup>	5 cm <sup>3</sup>	2 cm <sup>3</sup>	5 cm <sup>3</sup>	2 cm <sup>3</sup>	5 cm <sup>3</sup>	2 cm <sup>3</sup>
Closing time without load	0.02 s	0.02 s	0.02 s	0.02 s	0.02 s	0.02 s	0.02 s	0.02 s
Weight	115 g	115 g	100 g	100 g	120 g	120 g	140 g	140 g

Dimensions (mm)

- AA-22
- AA-22-NO
- AA-26
- AA-26-NO



AA-22

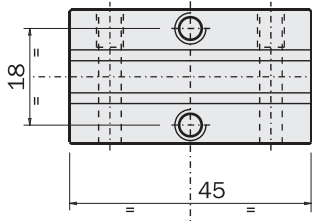


AA-26

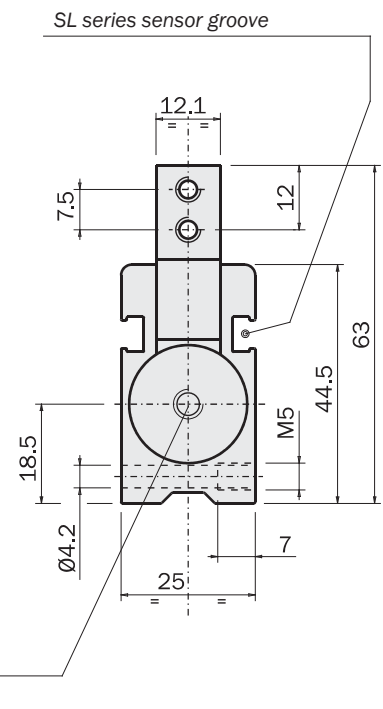
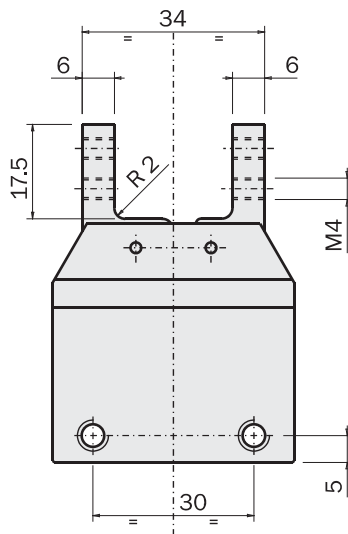
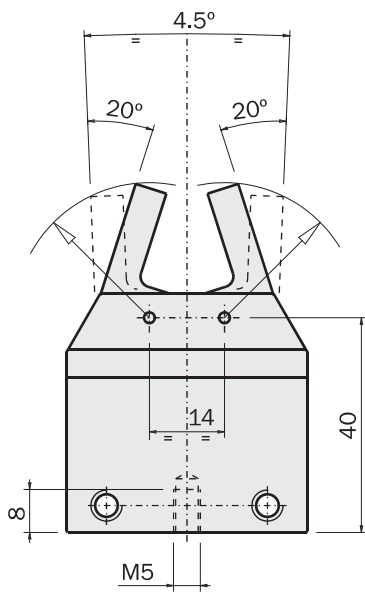


Dimensions (mm)

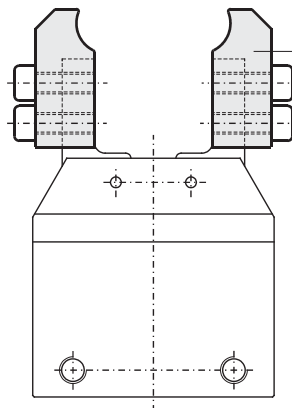
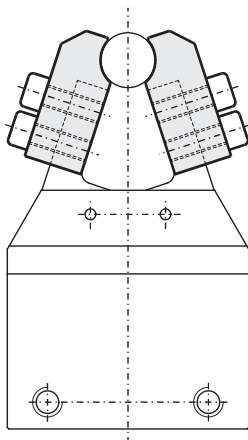
AA-23  
AA-23-NO



/ OPEN



Air connection  
(x2) M5



Gripping tool (not supplied)

FIRST ANGLE  
PROJECTION

**Dimensions (mm)**

Wider, grooved fingers for a better gripping

AA-35

AA-35-NO

FIRST ANGLE PROJECTION

