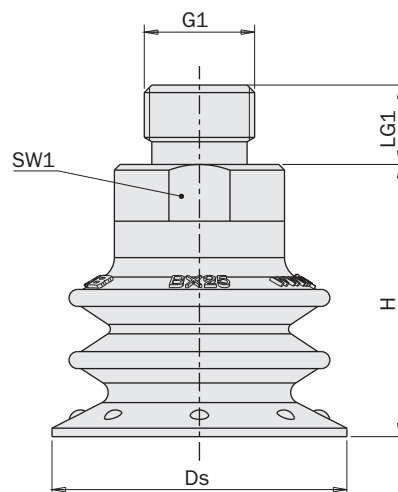


Ventose con 2.5 soffiotti con nipplo

- Ventose Duraflex®.
- In poliuretano anti-macchia a durezza differenziata.
- Soffietto robusto e flessibile.
- Labbro molto morbido, perfetto per le superfici goffrate.

Vacuum cups with 2.5 bellows with nipple

- Duraflex® vacuum cups.
- In dual durometer non-marking polyurethane.
- Sturdy and flexible bellow.
- Very soft lip, the best for the embossed surfaces.



| NEW | Ventosa Vacuum cup | Nipplo Nipple | G1 [mm] | Ds [mm] | H [mm] | LG1 [mm] | SW1 [mm] | R [mm] | V [cm³] | m [g] | F [N] |
|-------------------|-----------------------|------------------|------------|------------|-----------|-------------|-------------|-----------|------------|----------|----------|
| WD.0122869 | VD.0118329 | AVD.3107030 | M5 | 11 | 21.5 | 3.5 | 7 | 4 | 0.56 | 8 | 2.3 |
| WD.0124344 | VD.0118505 | AVD.3107030 | M5 | 16 | 23.5 | 3.5 | 7 | 5.5 | 0.92 | 9 | 4 |
| WD.0125108 | VD.0118507 | AVD.3250085 | 1/8 | 21 | 21 | 7 | 13 | 8.5 | 1.16 | 9 | 7 |
| WD.0114131 | VD.0109006 | AVD.3250085 | 1/8 | 26 | 24 | 7 | 13 | 6 | 3 | 11 | 13 |
| WD.9912151 | VD.0106292 | AVD.0200714 | 1/8 | 37 | 33 | 6 | 16 | 10 | 10 | 19 | 20 |
| WD.0106045 | VD.0104529 | AVD.3250092 | 1/4 | 53 | 45 | 9 | 22 | 32 | 30 | 39 | 56 |

R Il raggio della più piccola sfera prendibile
Radius of the smallest grippable ball

V Il volume interno
The inner volume

m Peso
Weight

F Forza di sollevamento a -0.6bar
Suction force at -0.6bar

