

Ventose

- Due tipologie: piane o con 1.5 soffietti.
- Quattro materiali: Silicone, EPDM, gomma naturale, HNBR.
- Diametri da 11mm a 53mm.

Vacuum cups





- Two styles: flat or with 1.5 bellows.
- Four materials: Silicone, EPDM, natural rubber, HNBR.
- Diameters from 11mm to 53mm.

Scelta del materiale

Le ultime tre cifre del codice identificano il materiale ed il colore.

Material choice

The three final characters in the code identify the material and the color.

Codice/Code	<input type="text"/>	<input type="text"/>	<input type="text"/>	<input type="text"/>	S 0 1	<input type="text"/>	<input type="text"/>	<input type="text"/>	<input type="text"/>	E 0 2	<input type="text"/>	<input type="text"/>	<input type="text"/>	<input type="text"/>	R 0 3	<input type="text"/>	<input type="text"/>	<input type="text"/>	<input type="text"/>	H 0 4
	 <p>Silicone Silicone</p>					 <p>EPDM</p>					 <p>Gomma naturale Natural rubber</p>					 <p>HNBR NEW</p>				

Colore Color	Rosso Red	Nero Black	Verde Green	Blu Blue
Durezza (Sh.A) Hardness	55	48	53	60
Temperatura di esercizio Temperature range	-70° ÷ +200°	-40° ÷ +100°	-40° ÷ +80°	-25° ÷ +150°
Applicazioni tipiche Typical applications	Alimentare Food	Automobile Automotive	Carta Paper	Plastica Plastics

P/G In base al diametro esistono due tipi di attacco: tipo P e tipo G
According to the cup diameter there are two connections: P type and G type

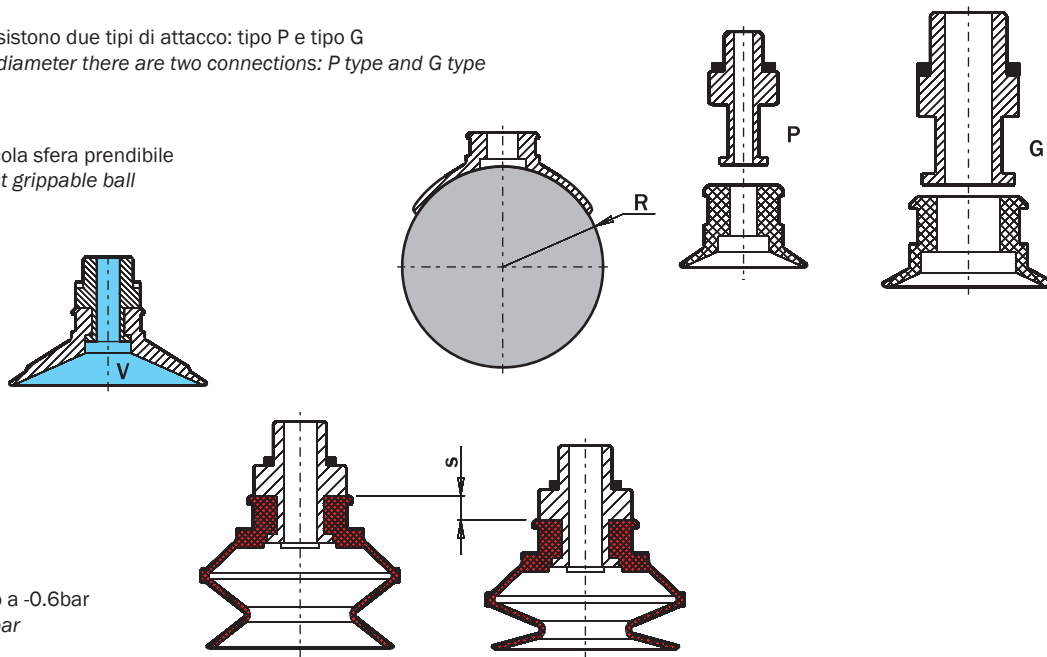
R Il raggio della più piccola sfera prendibile
Radius of the smallest grippable ball

V Il volume interno
The inner volume

s Corsa verticale
Vertical stroke

m Peso
Weight

F Forza di sollevamento a -0.6bar
Suction force at -0.6bar



Ventose plane / Flat vacuum cups

Codice/Code

V 0 1



1 1



1 6



2 2



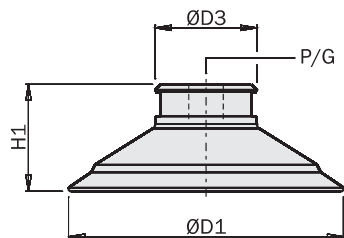
3 3



4 2



5 3



V01	P/G	D1 [mm]	D3 [mm]	H1 [mm]	R [mm]	s [mm]	V [cm ³]	m [g]	F [N]
V0111S01									
V0111E02	P	Ø11	Ø10	10	8	0.5	0.2	0.6	4
V0111R03									
V0111H04									
V0116S01									
V0116E02	P	Ø16.2	Ø10	10.5	8	1.5	0.3	0.6	8
V0116R03									
V0116H04									
V0122S01									
V0122E02	G	Ø22	Ø15	11.5	13	2.5	1.1	1.3	12
V0122R03									
V0122H04									
V0133S01									
V0133E02	G	Ø32	Ø19	12.5	20	3.5	1.7	2.7	25
V0133R03									
V0133H04									
V0142S01									
V0142E02	G	Ø41	Ø19	15.5	30	4.5	3.5	4.6	40
V0142R03									
V0142H04									
V0153S01									
V0153E02	G	Ø51.4	Ø19	20	35	6	8	8.6	64
V0153R03									
V0153H04									

Ventose a soffietto / Bellow vacuum cups

Codice/Code

V 0 2



1 1



1 6



2 2



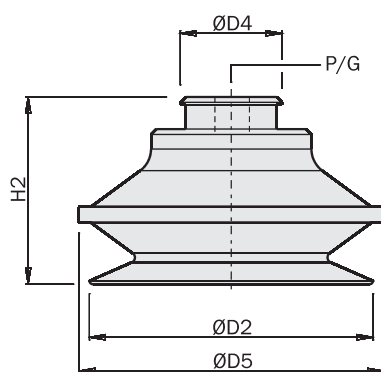
3 3



4 2



5 3



V02	P/G	D2 [mm]	D4 [mm]	D5 [mm]	H2 [mm]	R [mm]	s [mm]	V [cm ³]	m [g]	F [N]
V0211S01										
V0211E02	P	Ø11	Ø10	Ø12	15.4	4	4.5	0.4	0.8	3
V0211R03										
V0211H04										
V0216S01										
V0216E02	P	Ø15.7	Ø10	Ø17.5	18.8	5	6.5	1	1.3	6
V0216R03										
V0216H04										
V0222S01										
V0222E02	P	Ø22	Ø10	Ø23	19	10	10	2	1.6	11
V0222R03										
V0222H04										
V0233S01										
V0233E02	G	Ø34	Ø19	Ø36	26	15	15	10	5.2	27
V0233R03										
V0233H04										
V0242S01										
V0242E02	G	Ø42	Ø19	Ø45	28	20	15	14	8.4	39
V0242R03										
V0242H04										
V0253S01										
V0253E02	G	Ø53	Ø19	Ø57	35	30	15	30	14.4	64
V0253R03										
V0253H04										