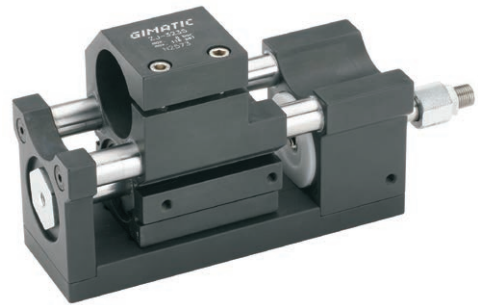


**Double stroke slide for large sprue grippers**

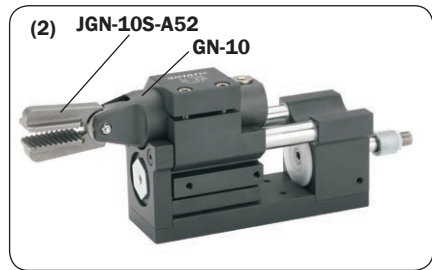
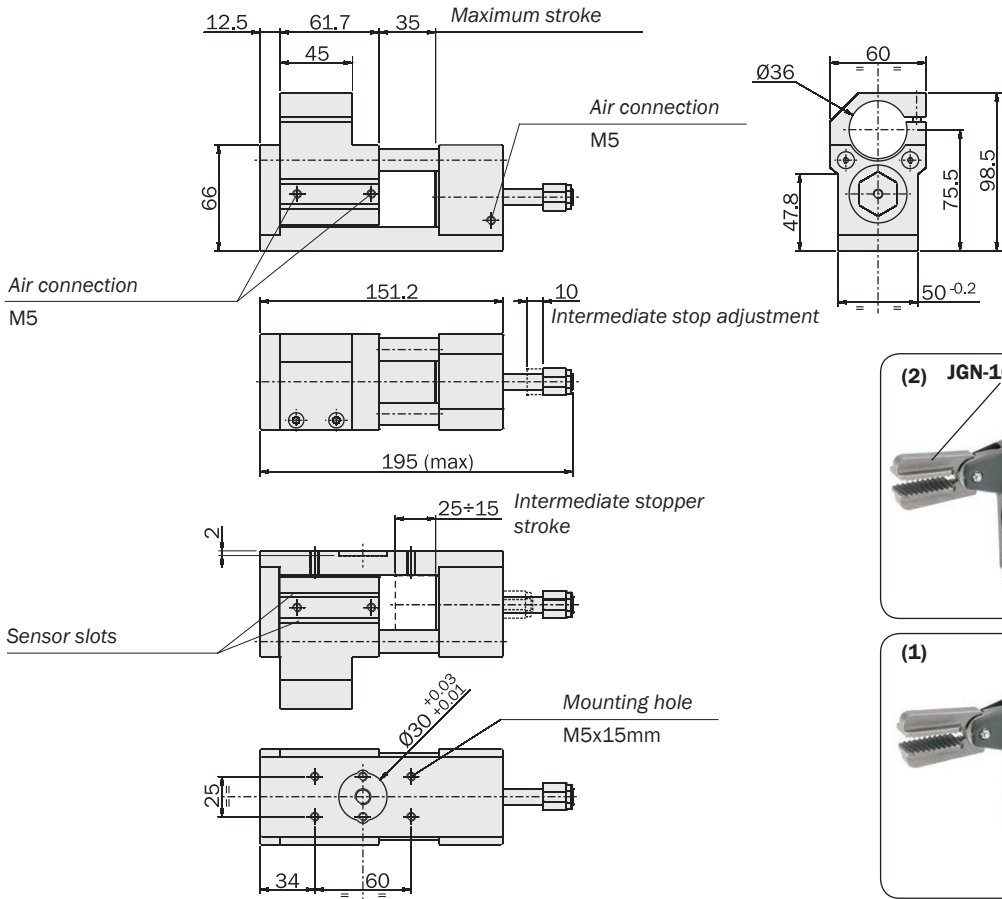
- Double-effect main cylinder with piston bore 32mm and stroke 35mm.
- Single-acting intermediate stopper (1).
- Dia. 36mm clamp for GN-10 actuator (2).
- Used for car bumpers extracting.
- Optional magnetic sensors.

ZJ-3235	
Medium	Filtered, lubricated / non lubricated compressed air
Pressure range	2 ÷ 8 bar
Temperature range	5° ÷ 60 °C
Main stroke	35 mm
Intermediate stroke	10 ÷ 20 mm
Pulling force at 6 bar	450 N
Weight	1330 g



**Dimensions (mm)**

FIRST ANGLE PROJECTION



Application example

