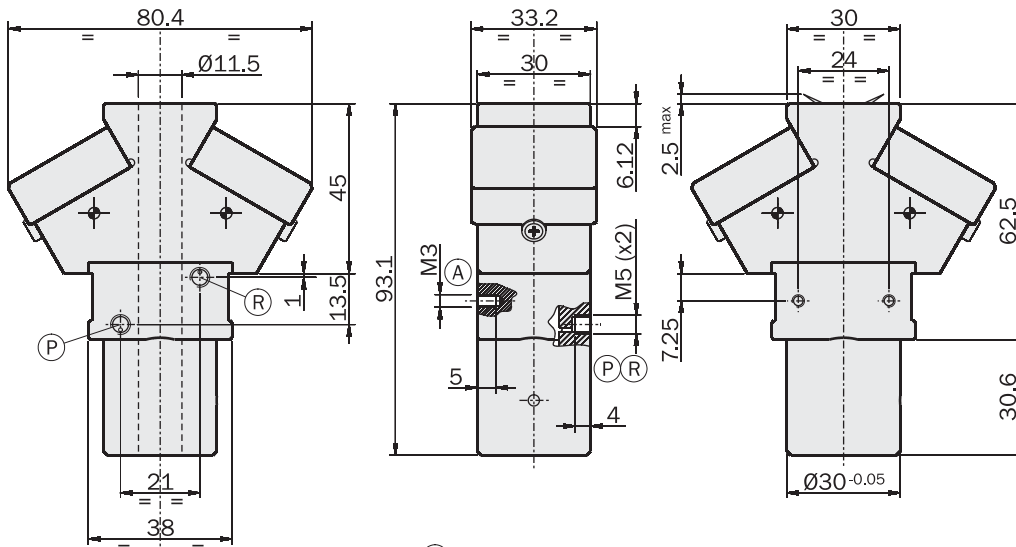


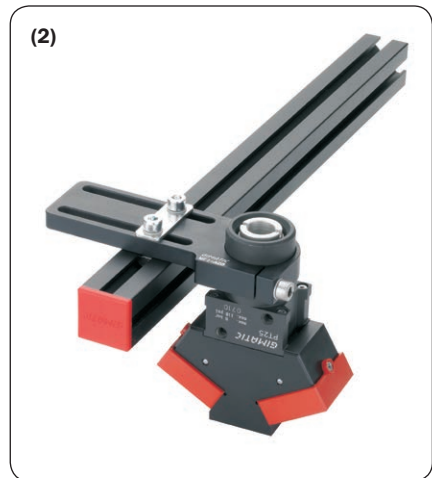
**Self-centering pneumatic needle gripper PT25**

- Suitable for textile and food industry.
- Double acting.
- 4 needles simultaneous stroke adjustment (1).
- Several mounting accessories (2).
- Large through hole (3).



(A) Hole for fastening

(P/R) Air connection



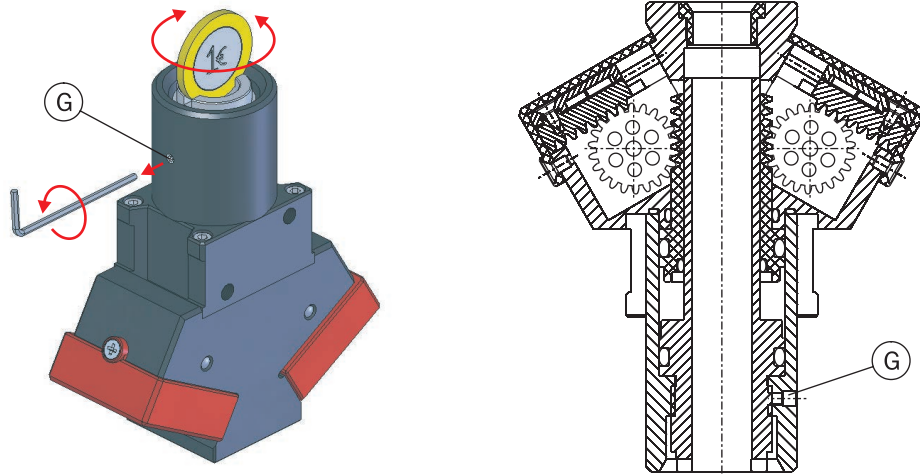
	PT25
Medium	Filtered, lubricated / non lubricated compressed air
Pressure range	3 ÷ 8 bar
Temperature range	5° ÷ 60 °C.
Opening total gripping force at 6 bar	90 N
Needle stroke	1 ÷ 7 mm
Cycle air consumption	3.5 cm <sup>3</sup>
Weight	165 g

### Stroke adjustment

The gripper is self-centering.

Therefore the piston end-stroke determines the stroke of all needles.

It is possible to adjust this stroke, by an 1-euro coin, after the grub screw (G) has been loosened.



### Maintenance

The needles can be easily replaced, when necessary.

The ordering code of one needle is PT25-05.

After one million cycles re-lubricate the gripper.

Suggested grease: Interflon Food Grease LT 2.

