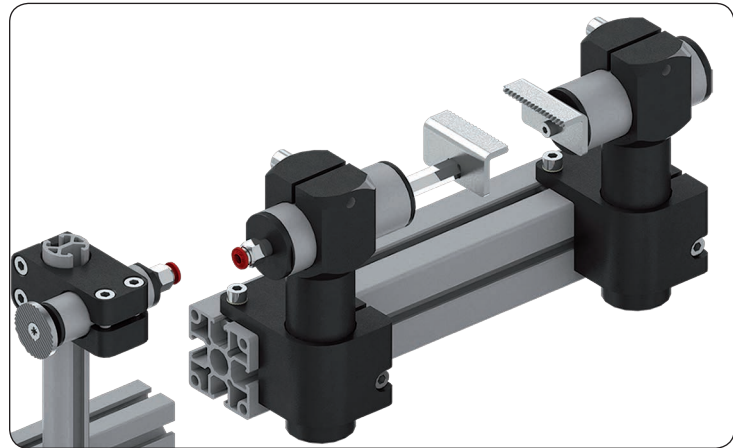
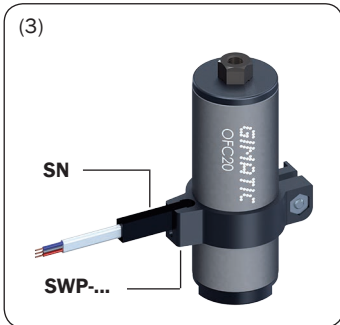
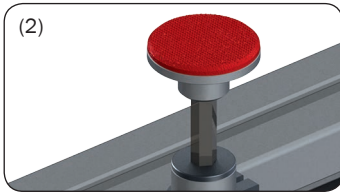
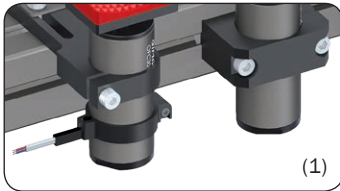


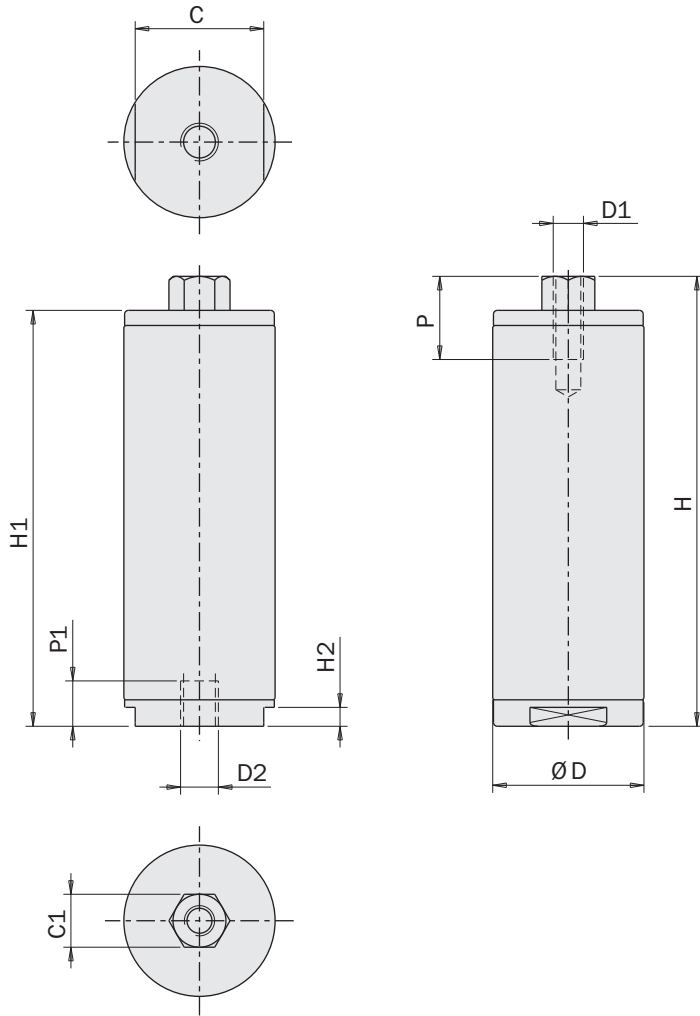
General purpose, single-acting, anti-rotation mini cylinders

- Piston bore: 10mm, 16mm, 25mm.
- Stroke: 10mm, 20mm, 30mm.
- Several accessories MFI... for the clamp mounting on the external diameter (1).
- Several accessories to be mounted on the rod (2).
- Optional sensors and clamps (3).



| | OFC14-10 | OFC20-20 | OFC30-30 |
|------------------------|--|-------------------|--------------------|
| Medium | Filtered, lubricated / non lubricated compressed air | | |
| Pressure range | 2 ÷ 8 bar | | |
| Temperature range | 5° ÷ 60 °C. | | |
| Stroke | 10 mm | 20 mm | 30 mm |
| Piston bore | Ø10 mm | Ø16 mm | Ø25 mm |
| Closing force at 0 bar | 4 N | 8 N | 23 N |
| Opening force at 6 bar | 43 N | 113 N | 271 N |
| Cycle air consumption | 1 cm ³ | 4 cm ³ | 15 cm ³ |
| Weight | 20 g | 40 g | 85 g |

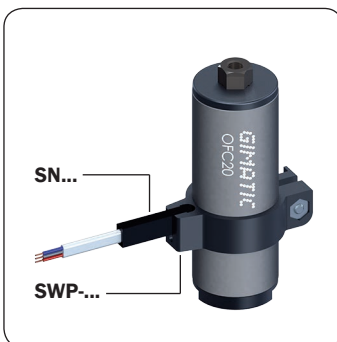
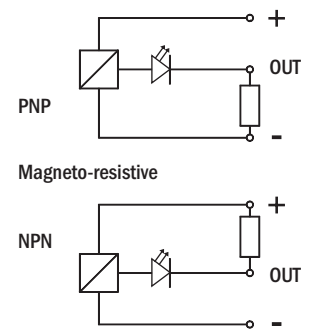
Dimensions (mm)



| | OFC14-10 | OFC20-20 | OFC30-30 |
|----|----------|----------|----------|
| C | 12 | 17 | 27 |
| C1 | 5.5 | 7 | 7 |
| D | Ø14 | Ø20 | Ø30 |
| D1 | M3 | M4 | M4 |
| D2 | M5 | M5 | M5 |
| H | 50 | 59.5 | 75 |
| H1 | 45.5 | 55 | 70.5 |
| H2 | 2.5 | 2.5 | 2.5 |
| P | 7 | 9 | 9 |
| P1 | 6 | 6 | 6 |

FIRST ANGLE PROJECTION

| OFC | SWP-... |
|----------|---------|
| OFC14-10 | SWP-014 |
| OFC20-20 | SWP-020 |
| OFC30-30 | SWP-030 |



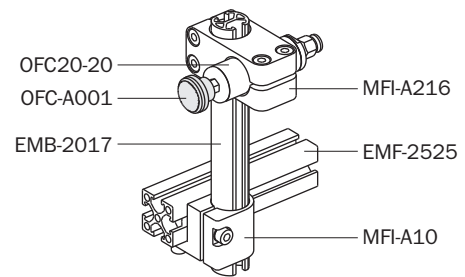
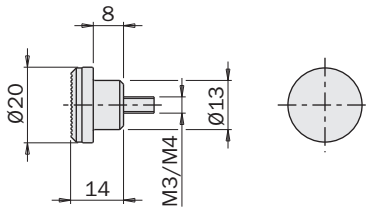
| SN... | | |
|-----------|-----|------------------------|
| SN4N225-G | PNP | 2.5m cable |
| SN4M225-G | NPN | 2.5m cable |
| SN3N203-G | PNP | Snap M8 plug connector |
| SN3M203-G | NPN | Snap M8 plug connector |

Optional kits

| | OFC-A001 | OFC-A002 | OFC-A003 | OFC-A004 | OFC-A005 | OFC5 |
|----------|-------------------------------------|-------------------------------------|-------------------------------------|-------------------------------------|-------------------------------------|-------------------------------------|
| OFC14-10 | <input checked="" type="checkbox"/> | <input type="checkbox"/> | <input checked="" type="checkbox"/> | <input type="checkbox"/> | <input checked="" type="checkbox"/> | <input type="checkbox"/> |
| OFC20-20 | <input checked="" type="checkbox"/> | <input checked="" type="checkbox"/> | <input checked="" type="checkbox"/> | <input checked="" type="checkbox"/> | <input checked="" type="checkbox"/> | <input checked="" type="checkbox"/> |
| OFC30-30 | <input checked="" type="checkbox"/> | <input checked="" type="checkbox"/> | <input checked="" type="checkbox"/> | <input checked="" type="checkbox"/> | <input checked="" type="checkbox"/> | <input checked="" type="checkbox"/> |
| Weight | 15 g | 25 g | 15 g | 25 g | 35 g | 40 g |

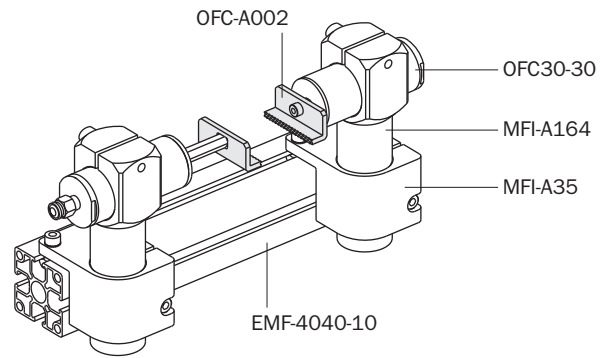
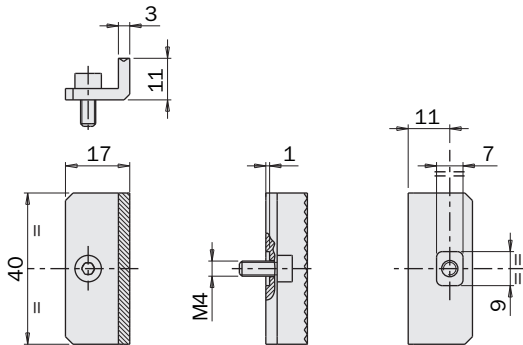
OFC-A001

Button with TPU rubber pad



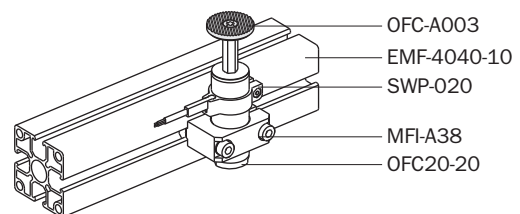
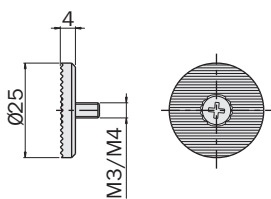
OFC-A002

Steel claw



OFC-A003

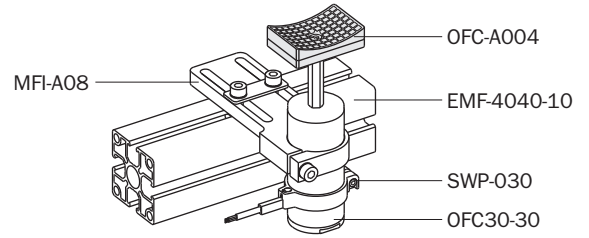
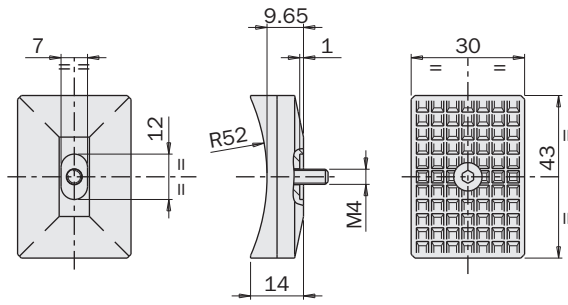
Steel button



Optional kits

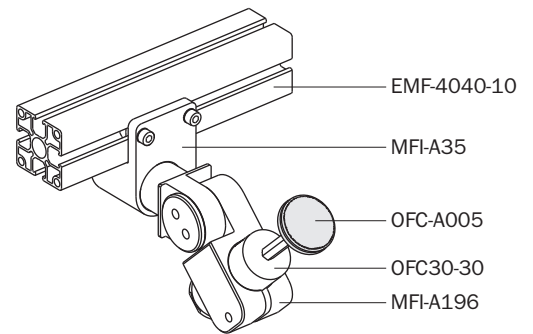
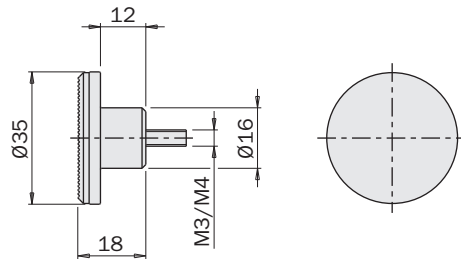
OFC-A004

Concave pusher with TPU rubber pad



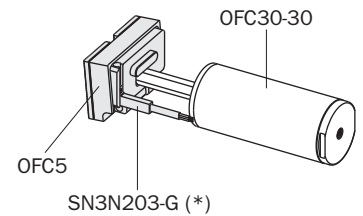
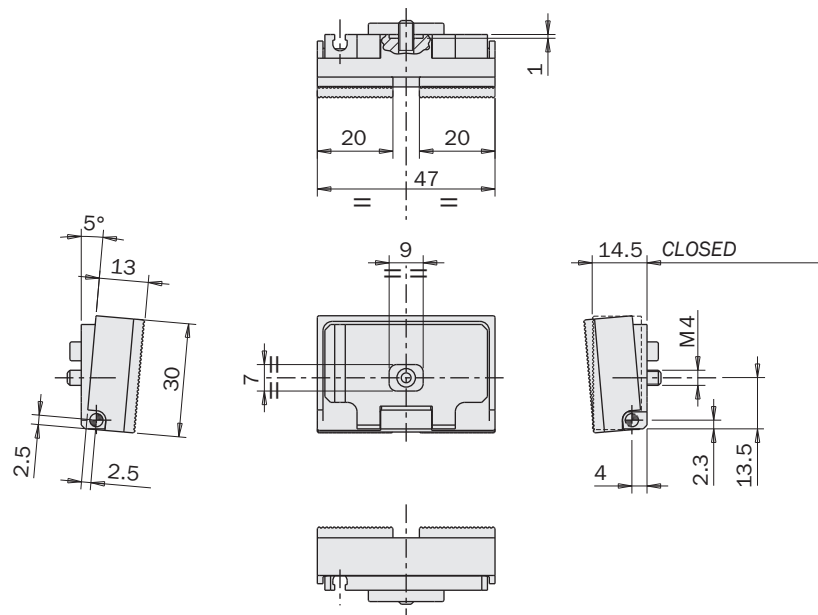
OFC-A005

Button with TPU rubber pad



OFC5

Switch pusher with TPU rubber pad and sensor



(*)
The sensor SN3N203-G is included