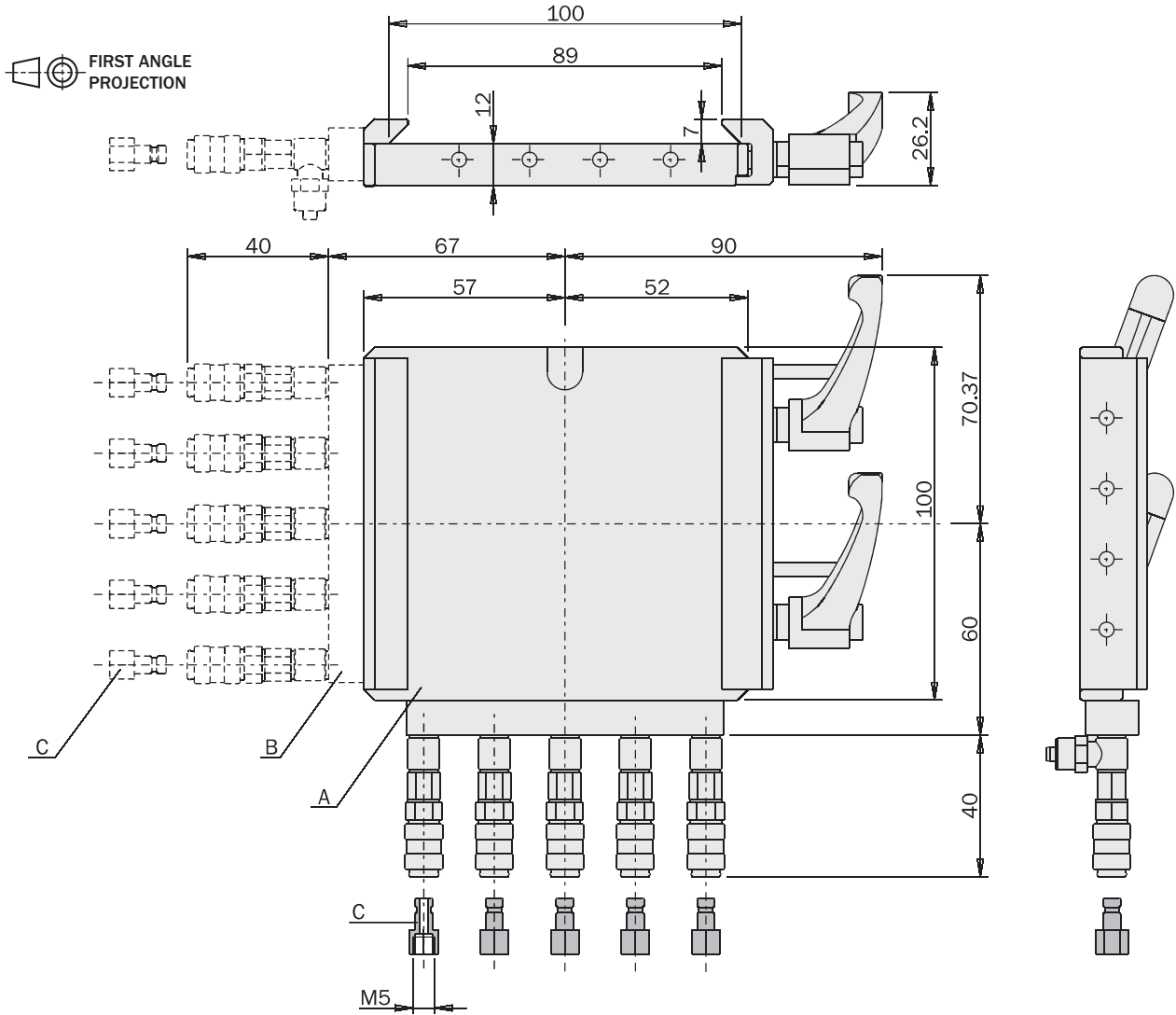


Quick changer (robot side)

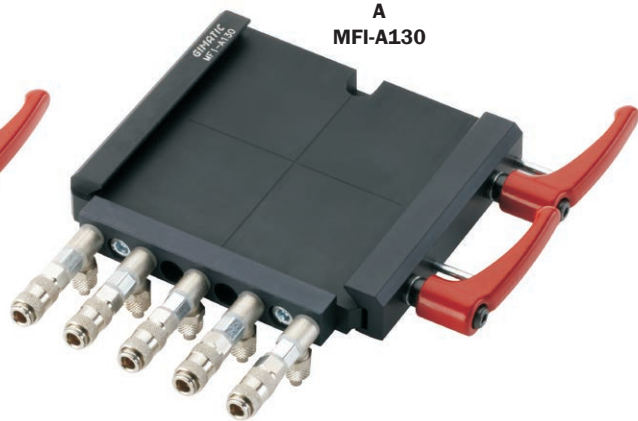


	MFI-A40	MFI-A130	MFI-A133	MFI-A135
Weight	500 g	620 g	140 g	17 g

MFI-A40



A
MFI-A130



B
MFI-A133



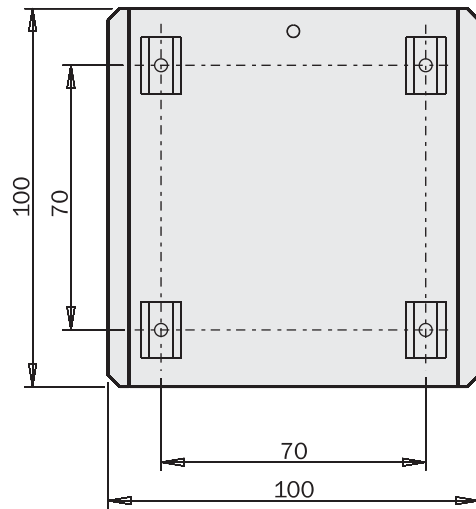
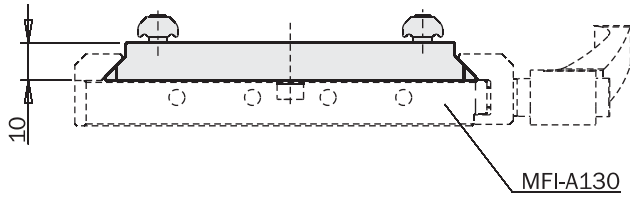
C
MFI-A135
Quick coupling (5 pieces)



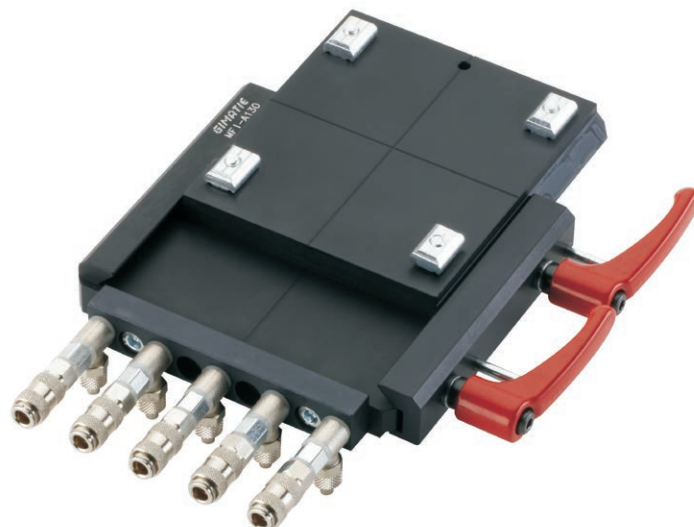
Quick changer (gripper side)

FIRST ANGLE PROJECTION

	MFI-A41
Weight	270 g

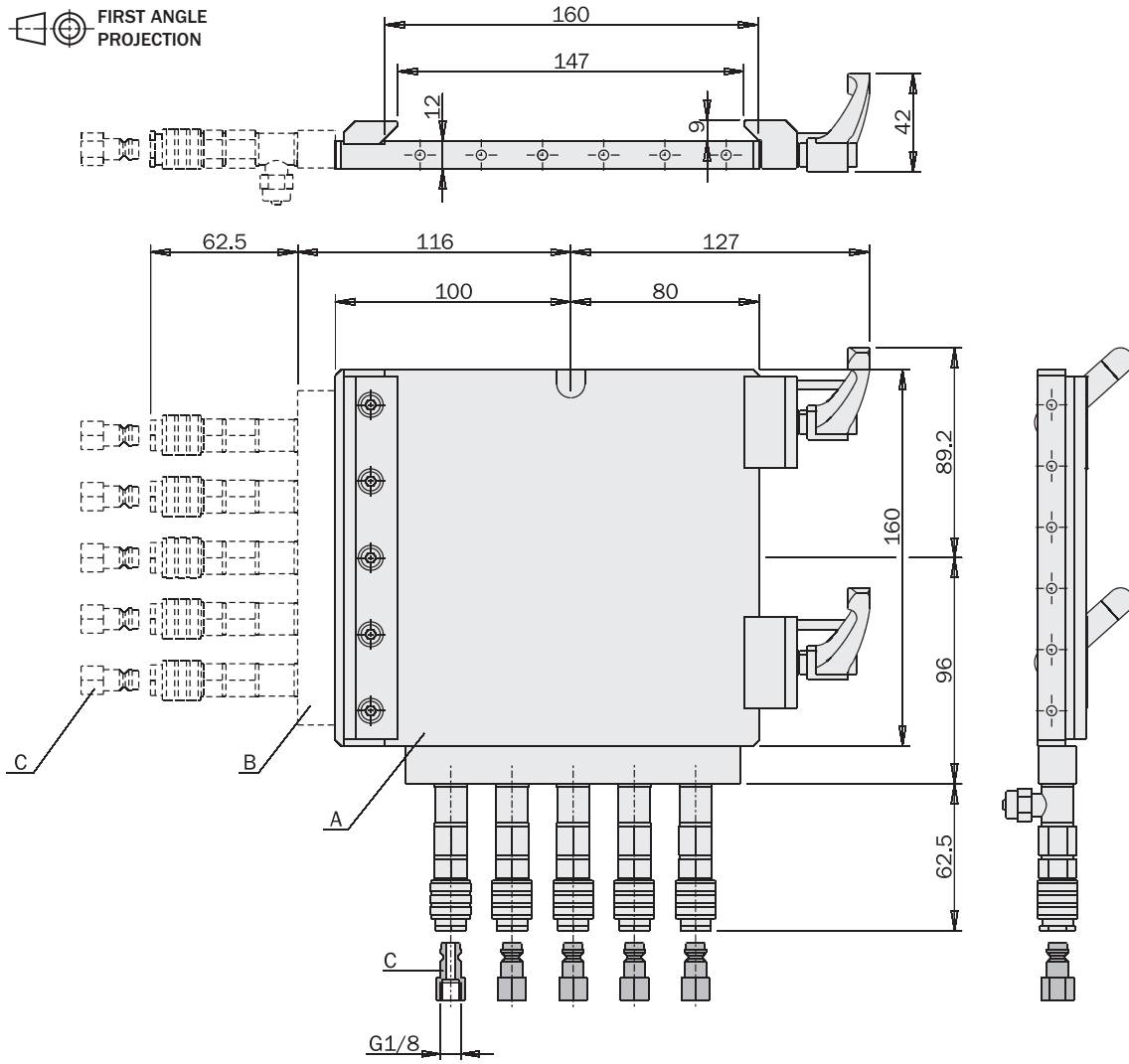


Application example



Quick changer (robot side)

FIRST ANGLE PROJECTION

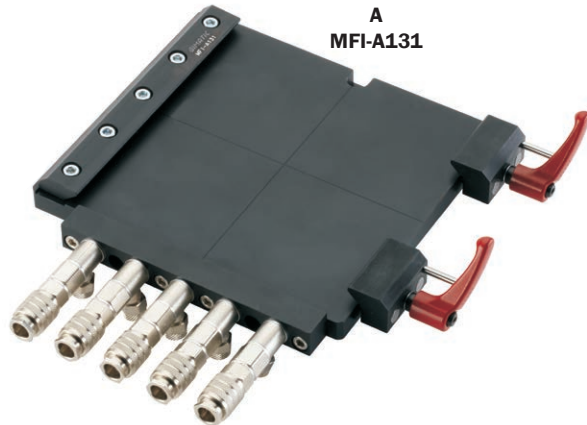


	MFI-A42	MFI-A131	MFI-A132	MFI-A134
Weight	1270 g	1650 g	450 g	40 g

MFI-A42



A
MFI-A131



B
MFI-A132



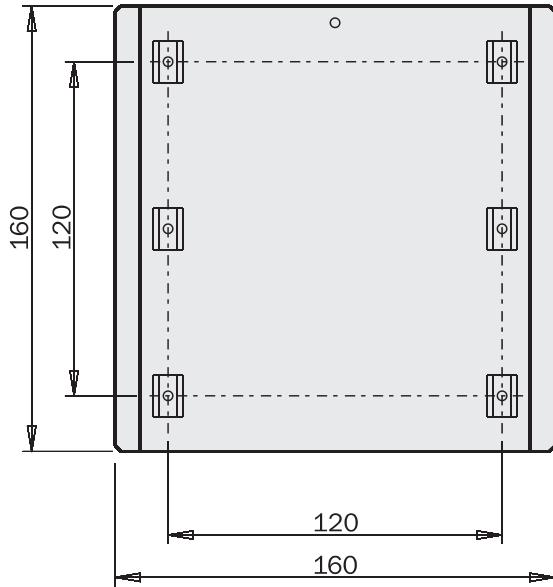
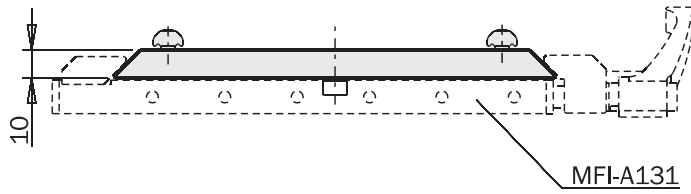
C
MFI-A134
Quick coupling (5 pieces)



Quick changer (gripper side)

FIRST ANGLE PROJECTION

	MFI-A43
Weight	670 g



Application example

