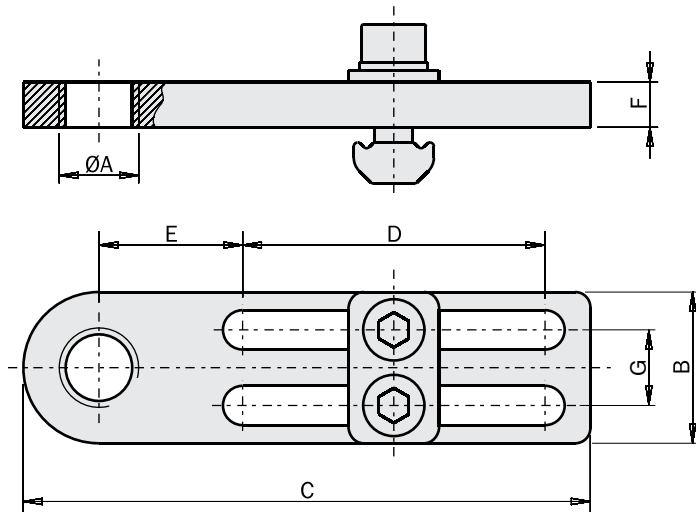


Mounting bracket

(kit with screws)

	A [mm]	B [mm]	C [mm]	D [mm]	E [mm]	F [mm]	G [mm]	Weight	Price
MFI-A104	G1/8"	20	75	40	19	6	10	25 g	\$10.37
MFI-A105	G1/8"	25	105	60	26.5	6	15	42 g	\$10.37
MFI-A106	M10x1	20	75	40	19	6	10	30 g	\$9.07
MFI-A107	M10x1	25	105	60	26.5	6	15	40 g	\$9.94
MFI-A266	M12x1	20	75	40	19	6	10	30 g	CALL
MFI-A267	M12x1	25	105	60	26.5	6	15	47 g	CALL
MFI-A108	M14x1	20	75	40	19	6	10	20 g	\$9.07
MFI-A109	M14x1	25	105	60	26.5	6	15	40 g	\$9.94
MFI-A210	M14x1.5	25	75	40	19	6	10	20 g	\$15.12
MFI-A211	M14x1.5	25	105	60	26.5	6	15	40 g	\$16.63
MFI-A110	M16x1	20	75	40	19	6	10	20 g	\$9.07
MFI-A111	M16x1	25	105	60	26.5	6	15	40 g	\$10.37
MFI-A112	M20x1.5	25	75	40	19	6	15	30 g	\$15.12
MFI-A113	M20x1.5	25	105	60	26.5	6	15	35 g	\$16.63
MFI-A268	M25x1.5	30	85	40	24	8	15	52 g	\$19.17
MFI-A269	M25x1.5	30	115	60	34	8	15	67 g	\$19.75
MFI-A114	-	20	75	40	19	6	10	25 g	\$9.10
MFI-A115	-	25	105	60	26.5	6	15	40 g	\$10.37



FIRST ANGLE PROJECTION

Application example

