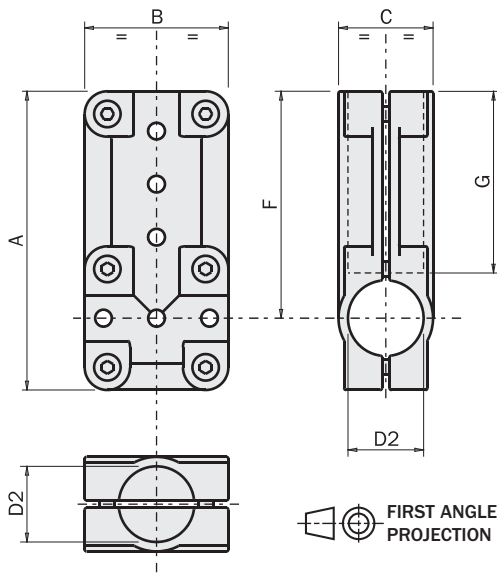
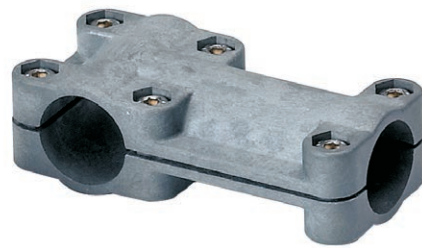


**Polymer T connector**

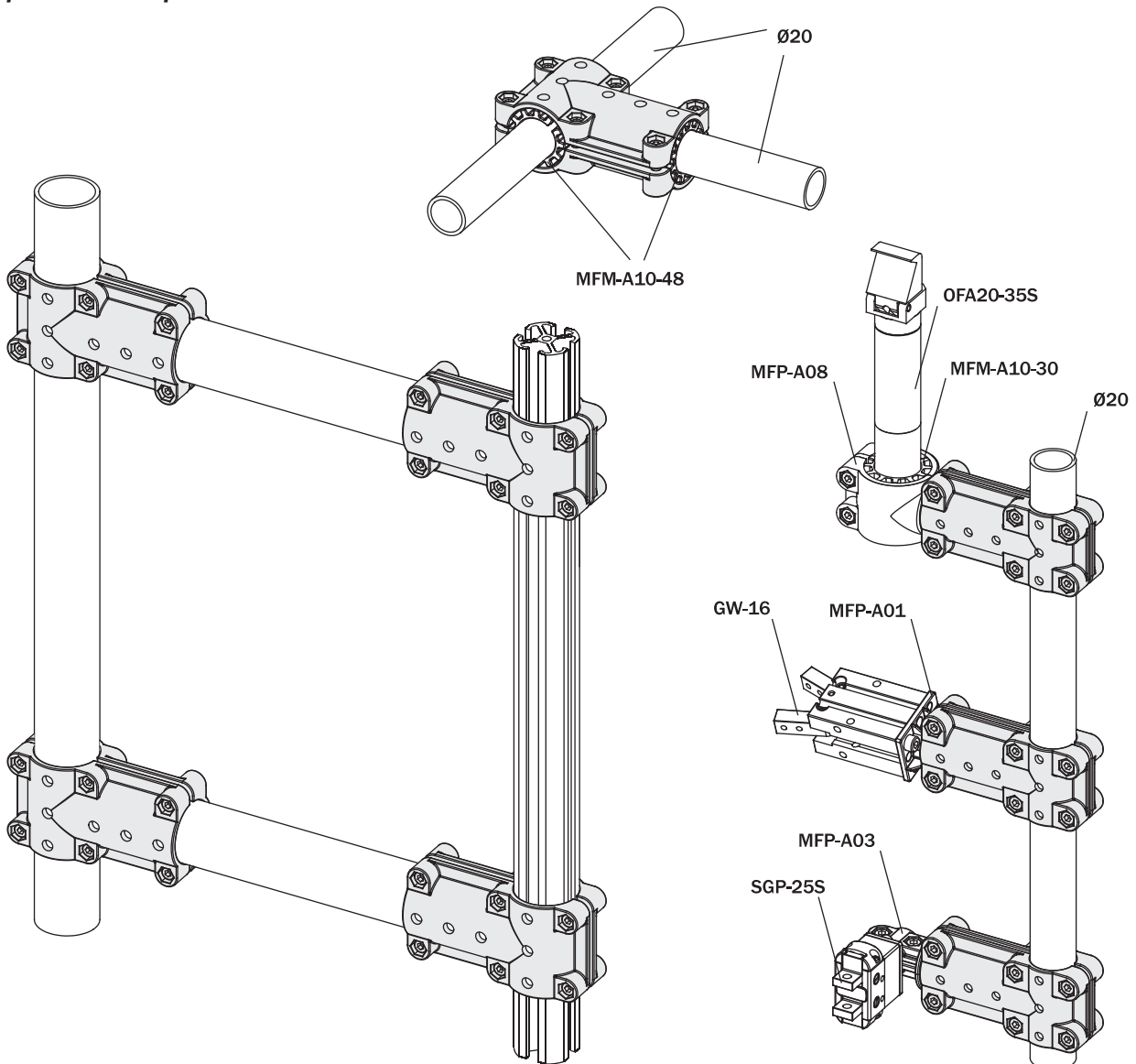
(2 half-pieces + screws)



	MFP-A02	MFP-A09
A [mm]	79	90
B [mm]	38	48
C [mm]	25	36
D2 [mm]	Ø20	Ø30
F [mm]	60	66
G [mm]	48	48
Weight	53 g	82 g

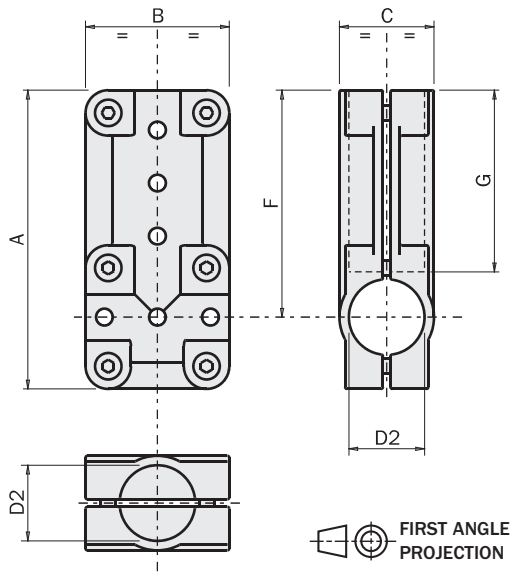


**Application example**



**Steel T connector**

(2 half-pieces + screws)



	MFM-A02	MFM-A09	MFM-A85
A [mm]	79	90	133
B [mm]	38	48	73
C [mm]	25	36	56
D2 [mm]	Ø20	Ø30	Ø50
F [mm]	60	66	97
G [mm]	48	48	70
Weight	200 g	328 g	660 g



**Application example**

