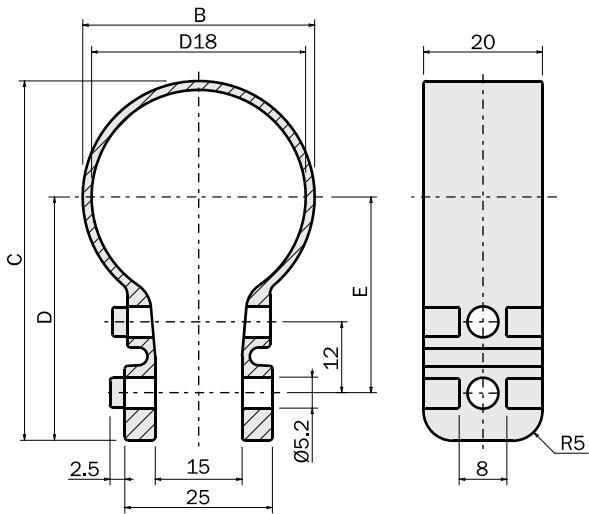


Steel mounting bracket

(kit with screws)



FIRST ANGLE PROJECTION

	MFM-A30	MFM-A36	MFM-A45	MFM-A56
D18 [mm]	Ø30	Ø36	Ø45	Ø56
B [mm]	Ø33	Ø39	Ø48	Ø60
C [mm]	55	60.5	70	83.5
D [mm]	38.5	41	46	53.5
E [mm]	30.5	33	38	45.5
Weight	69 g	75 g	80 g	102 g
Price	\$16.70	\$21.00	\$22.70	\$25.40



Application example

