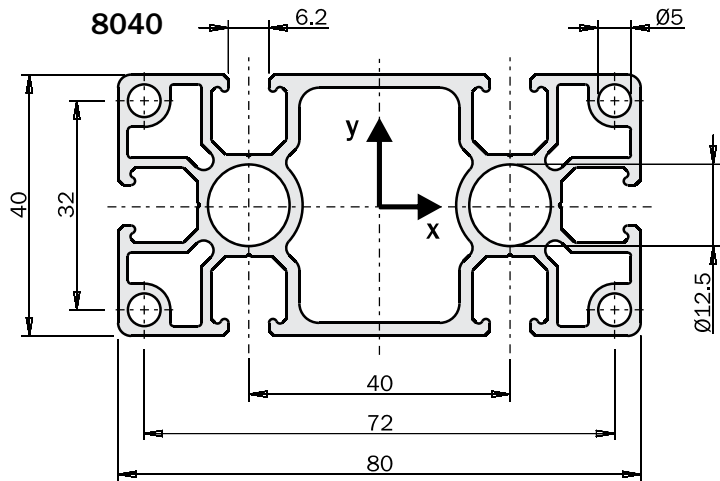
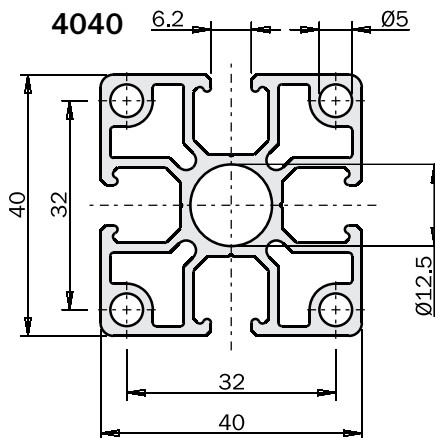
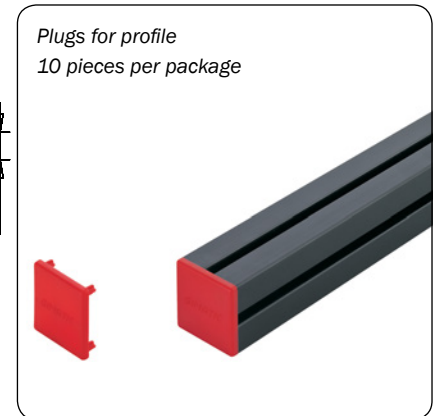
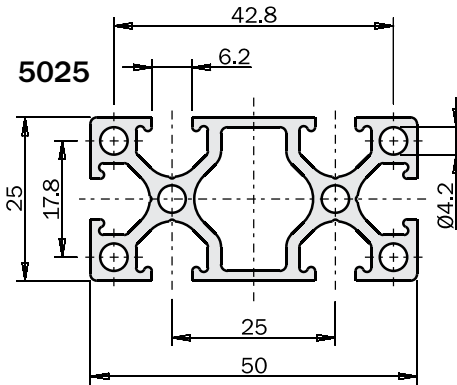
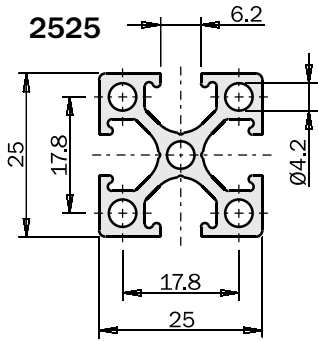
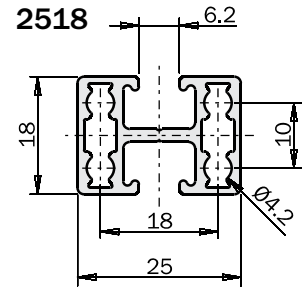
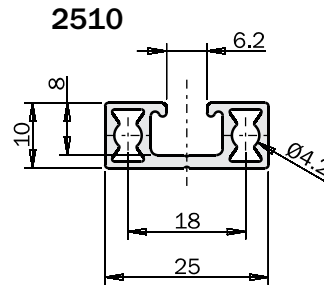
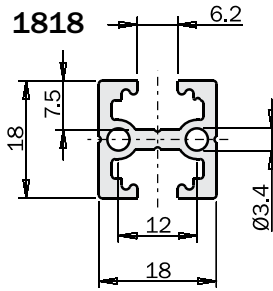
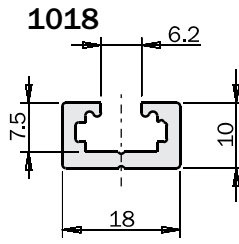
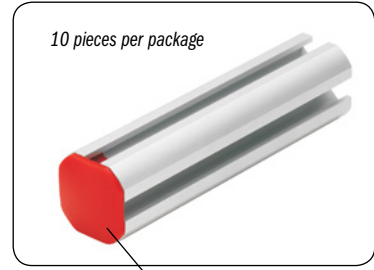
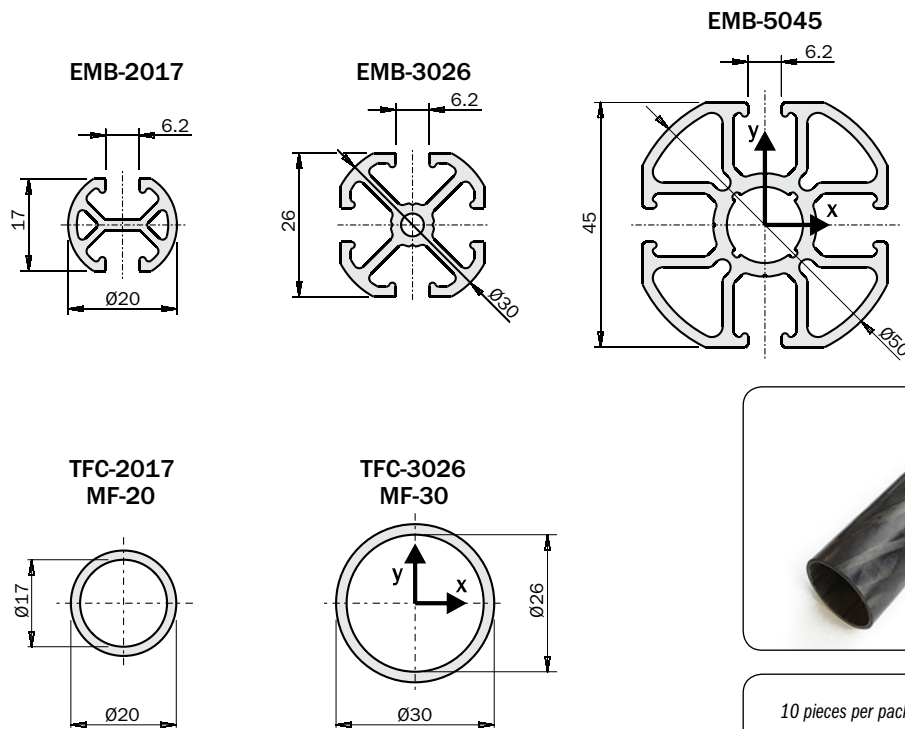


Square beams



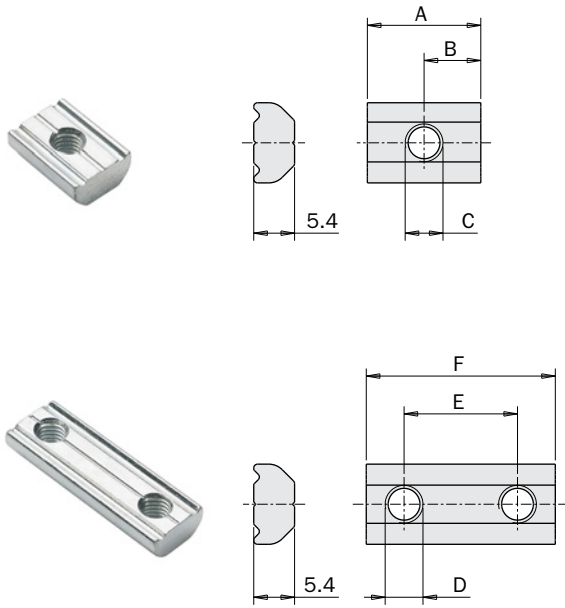
		Price	Length	Weight	Ix [mm ⁴]	Iy [mm ⁴]	Plugs	Price
EMB-1018-1000	EMF-1018-1000	\$7.64	1 m	250 g	1084	3855	MFI-A24	\$4.51
EMB-1018-2000	EMF-1018-2000	CALL	2 m	500 g	1084	3855	MFI-A24	\$4.51
EMB-1818-1000	EMF-1818-1000	\$11.03	1 m	400 g	4381	6245	MFI-A23	\$6.39
EMB-1818-2000	EMF-1818-2000	CALL	2 m	800 g	4381	6245	MFI-A23	\$6.39
EMB-2510-1000	EMF-2510-1000	\$6.96	1 m	280 g	1305	7300	MFI-A27	\$4.97
EMB-2510-2000	EMF-2510-2000	\$13.92	2 m	560 g	1305	7300	MFI-A27	\$4.97
EMB-2518-1000	EMF-2518-1000	\$7.26	1 m	400 g	5647	11544	MFI-A28	\$4.97
EMB-2518-2000	EMF-2518-2000	\$14.52	2 m	800 g	5647	11544	MFI-A28	\$4.97
EMB-2525-1000	EMF-2525-1000	\$8.39	1 m	610 g	16298	16289	MFI-A21	\$4.97
EMB-2525-2000	EMF-2525-2000	\$16.78	2 m	1220 g	16298	16289	MFI-A21	\$4.97
EMB-5025-1000	EMF-5025-1000	\$14.98	1 m	1040 g	28882	111103	MFI-A22	\$7.13
EMB-5025-2000	EMF-5025-2000	\$29.96	2 m	2080 g	28882	111103	MFI-A22	\$7.13
EMB-4040-1000	EMF-4040-1000	\$16.10	1 m	1300 g	86387	86387	MFI-A25	\$10.37
EMB-4040-2000	EMF-4040-2000	\$32.20	2 m	2600 g	86387	86387	MFI-A25	\$10.37
EMB-8040-1000	EMF-8040-1000	\$25.70	1 m	2180 g	155462	587130	MFI-A26	\$13.82
EMB-8040-2000	EMF-8040-2000	\$51.40	2 m	4360 g	155462	587130	MFI-A26	\$13.82

Round beams



	Price	Material	E [GPa]	Length	Weight	Ix [mm ⁴]	Iy [mm ⁴]	Plugs	Price
EMB-2017-1000	\$10.02	Aluminum	67	1 m	340 g	2534	5003	MFP-K29	\$9.27
EMB-2017-2000	\$17.54	Aluminum	67	2 m	680 g	2534	5003	MFP-K29	\$9.27
EMB-3026-1000	\$18.80	Aluminum	67	1 m	700 g	15842	15842	MFP-K28	\$9.52
EMB-3026-2000	\$32.58	Aluminum	67	2 m	1400 g	15842	15842	MFP-K28	\$9.52
EMB-5045-1000	\$32.11	Aluminum	67	1 m	1665 g	100773	100773	MFP-K50	\$10.50
EMB-5045-2000	\$57.58	Aluminum	67	2 m	3330 g	100773	100773	MFP-K50	\$10.50
MF-20-1000	CALL	Aluminum	67	1 m	230 g	3754	3754	MFP-K22	CALL
MF-20-2000 NEW	CALL	Aluminum	67	2 m	460 g	3754	3754	MFP-K22	CALL
MF-30-1000	CALL	Aluminum	67	1 m	444 g	17329	17329	MFP-K21	CALL
MF-30-2000 NEW	CALL	Aluminum	67	2 m	888 g	17329	17329	MFP-K21	CALL
TFC-2017-1000 NEW	CALL	Carbon composite	105	1 m	130 g	3754	3754	MFP-K22	CALL
TFC-2017-1500	CALL	Carbon composite	105	1.5 m	195 g	3754	3754	MFP-K22	CALL
TFC-2017-2000 NEW	CALL	Carbon composite	105	2 m	260 g	3754	3754	MFP-K22	CALL
TFC-3026-1000 NEW	CALL	Carbon composite	105	1 m	260 g	17329	17329	MFP-K21	CALL
TFC-3026-1500	CALL	Carbon composite	105	1.5 m	390 g	17329	17329	MFP-K21	CALL
TFC-3026-2000 NEW	CALL	Carbon composite	105	2 m	520 g	17329	17329	MFP-K21	CALL

T-Nuts



	A [mm]	B [mm]	C [mm]	Weight	Price
MFI-177	15	7.5	M4	5 g	\$1.25
MFI-025	15	7.5	M5	5 g	\$1.25
MFI-178	15	7.5	M6	5 g	\$1.25

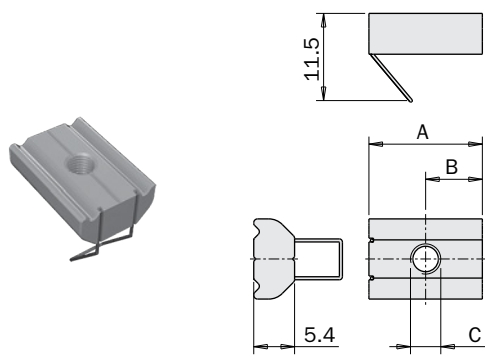
	D [mm]	E [mm]	F [mm]	Weight	Price
MFI-003	M4	8	16	5 g	\$1.63
MFI-006	M5	10	20	7 g	\$1.63
MFI-009	M5	15	25	9 g	\$1.63
MFI-148	M5	17	25	9 g	\$1.63
MFI-016	M5	22	32	11 g	\$1.73
MFI-027	M5	25	35	13 g	\$1.73
MFI-055	M5	28	38	14 g	\$1.73
MFI-050	M5	30	40	15 g	\$1.90
MFI-029	M5	35	45	16 g	\$1.90
MFI-020	M5	40	50	18 g	\$1.90
MFI-043	M5	50	60	22 g	\$1.94
MFI-022	M5	60	70	26 g	\$1.94
MFI-045	M5	90	100	38 g	\$2.28

Spring nuts

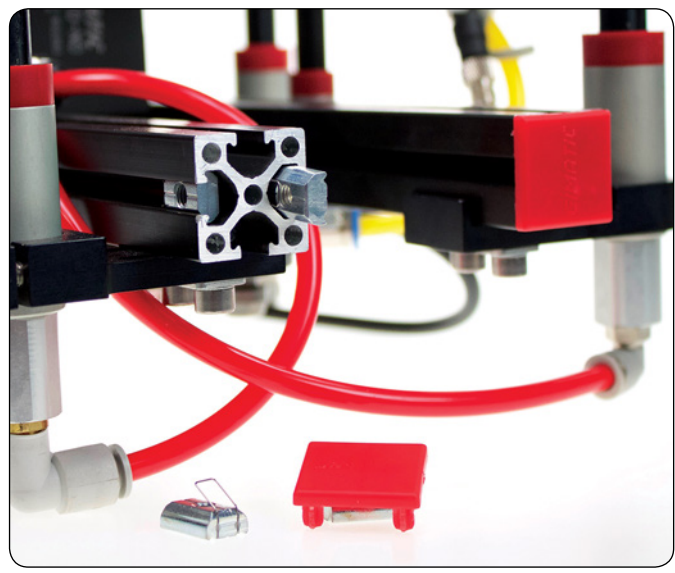
They hold the position in the slot without slipping during assembly.

Suitable for the beams:

- EMB-5045
- EMB-3026
- EMB/EMF-8040
- EMB/EMF-4040
- EMB/EMF-5025
- EMB/EMF-2525
- EMB/EMF-2518
- EMB/EMF-2510

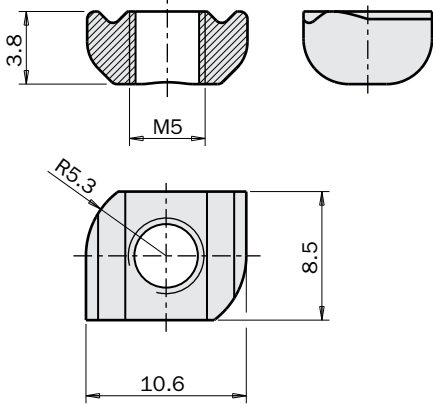


	A [mm]	B [mm]	C [mm]	Weight	Price
MFI-A329	15	7.5	M4	5 g	CALL
MFI-A331	15	7.5	M5	5 g	CALL



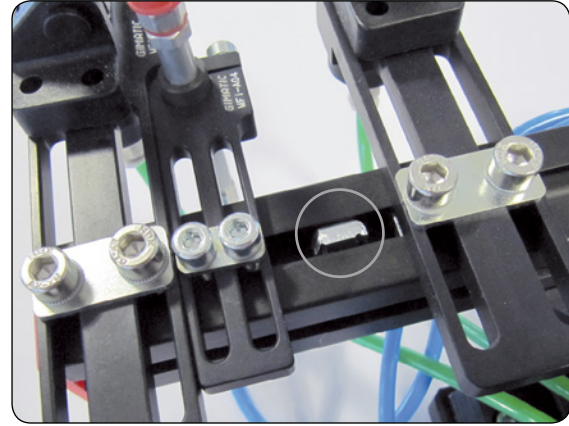
Last-minute nut

To be used when you need to add something to an already assembled EOAT.



MFI-243

Weight	2 g
Price	\$1.30



FIRST ANGLE PROJECTION

