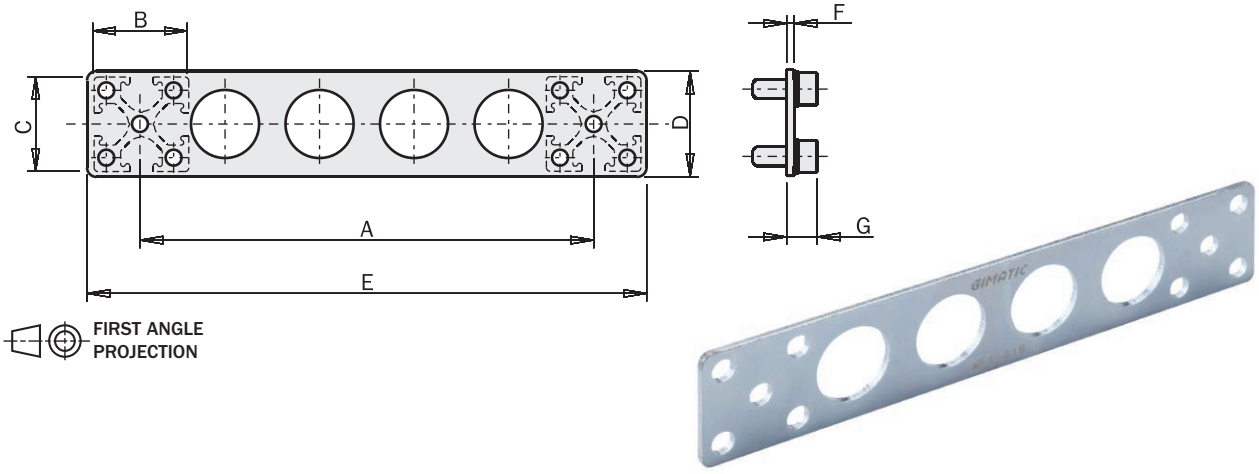


Flat straight connector

(kit with screws)

	MFI-A101	MFI-A19	MFI-A201	MFI-A100	MFI-A20	MFI-A202
A [mm]	76	120	130	76	120	130
B [mm]	25	25	25	25	25	25
C [mm]	25	25	25	50	50	50
D [mm]	28	28	28	53	53	53
E [mm]	104	148	158	104	148	158
F [mm]	2	2	2	2	2	2
G [mm]	8	8	8	8	8	8
EMF-...	EMF-2525	EMF-2525	EMF-2525	EMF-5025	EMF-5025	EMF-5025
Weight	50 g	60 g	65 g	75 g	100 g	110 g



Application example

