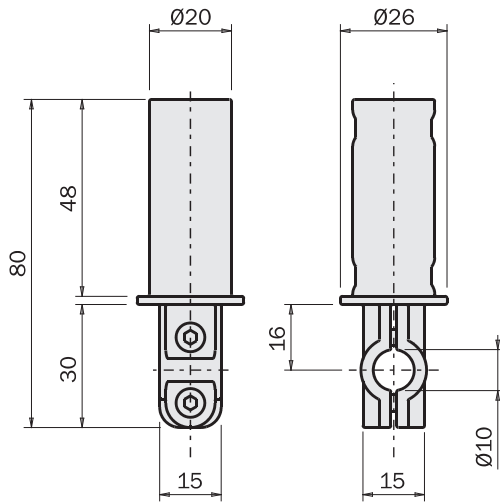


Polymer mounting bracket Ø20-10

(2 half-pieces + screws)



	MFP-A03
<i>Weight</i>	35 g

Application example

