

**Side manifold block (1 channel)**

(kit with screws)



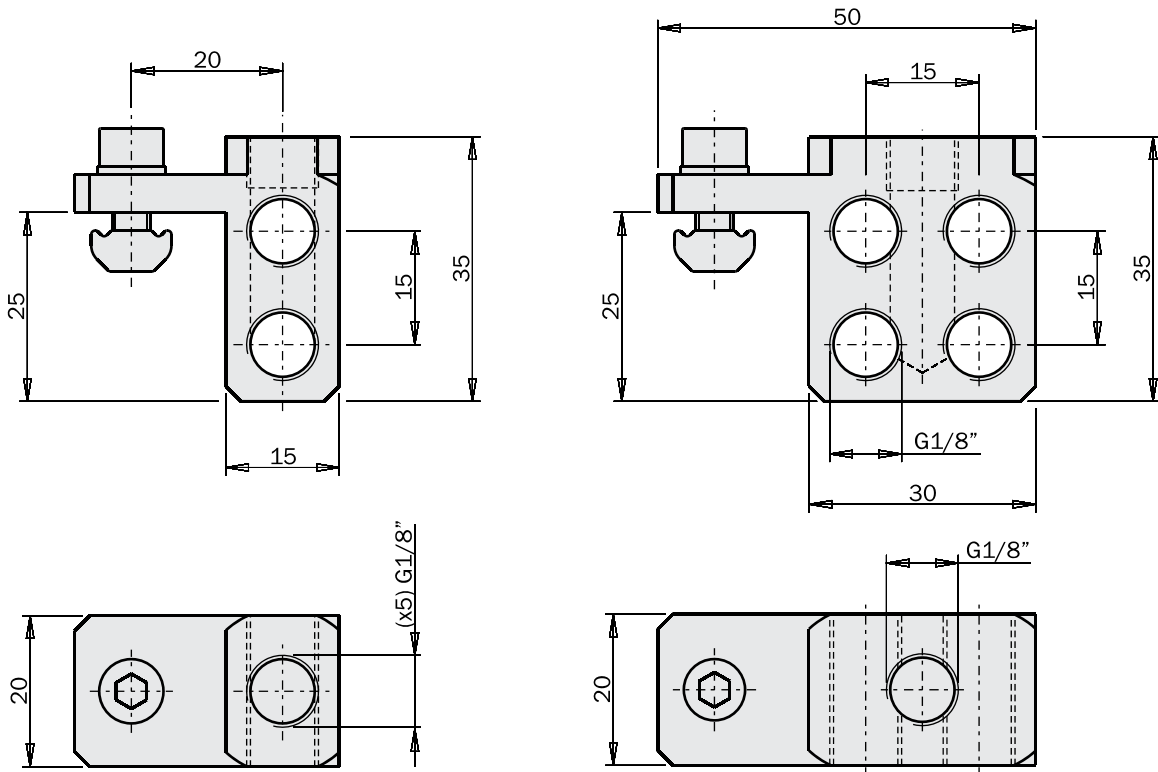
**G1/8" (x5)**



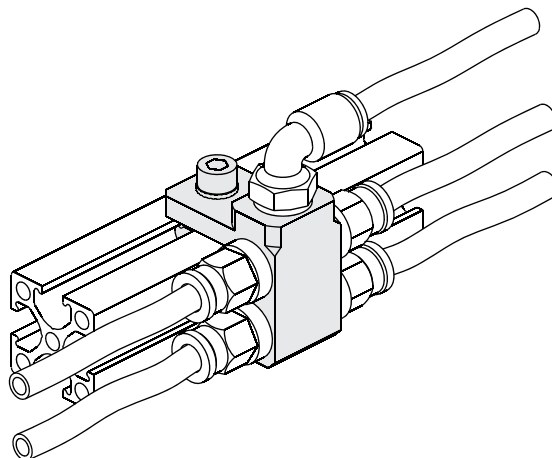
**G1/8" (x9)**

	<b>MFI-A68</b>	<b>MFI-A69</b>
	EMF-2518	EMF-2518
EMF-....	EMF-2525	EMF-2525
	EMF-5025	EMF-5025
Weight	30 g	50 g
Price	\$11.50	\$12.34

FIRST ANGLE PROJECTION



**Application example**



**Side manifold block (2 channels)**

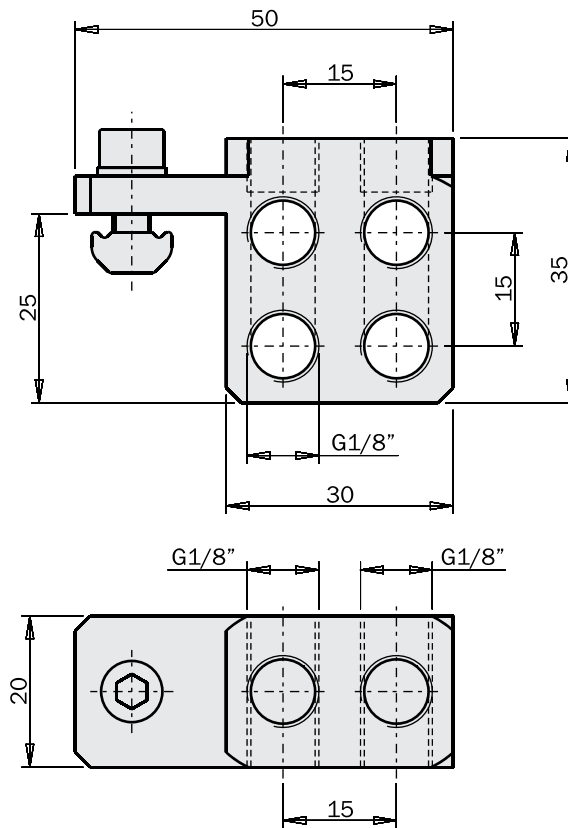
(kit with screws)



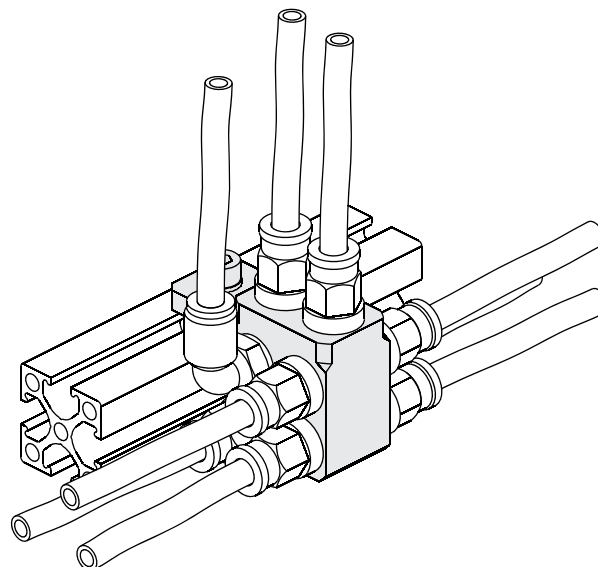
**G1/8" (5+5)**

	<b>MFI-A70</b>
	EMF-2518
EMF-....	EMF-2525
	EMF-5025
Weight	48 g
Price	\$14.11

FIRST ANGLE PROJECTION

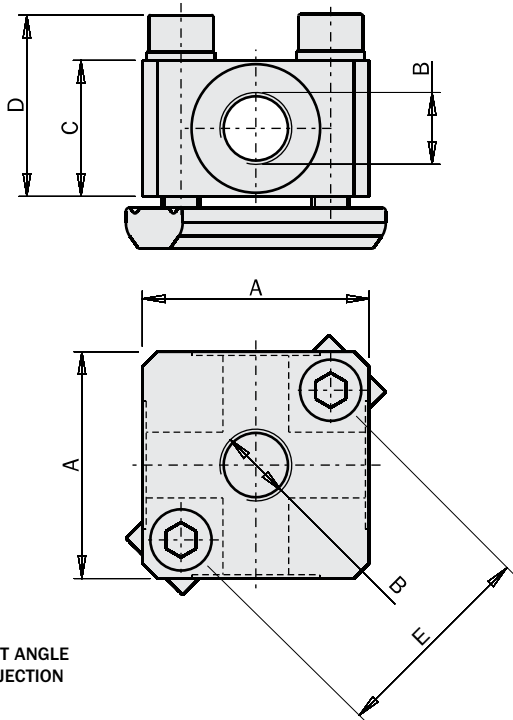


**Application example**



**Manifold block**

(kit with screws)



FIRST ANGLE PROJECTION

	MFI-A66	MFI-A67
A [mm]	30	40
B [mm]	(x5) G1/8"	(x5) G1/4"
C [mm]	18	20
D [mm]	24	23
E [mm]	28	35
Weight	50 g	80 g
Price	\$9.07	\$10.37



**Application example**

