

**Gripper mounting bracket**

(kit with screws)

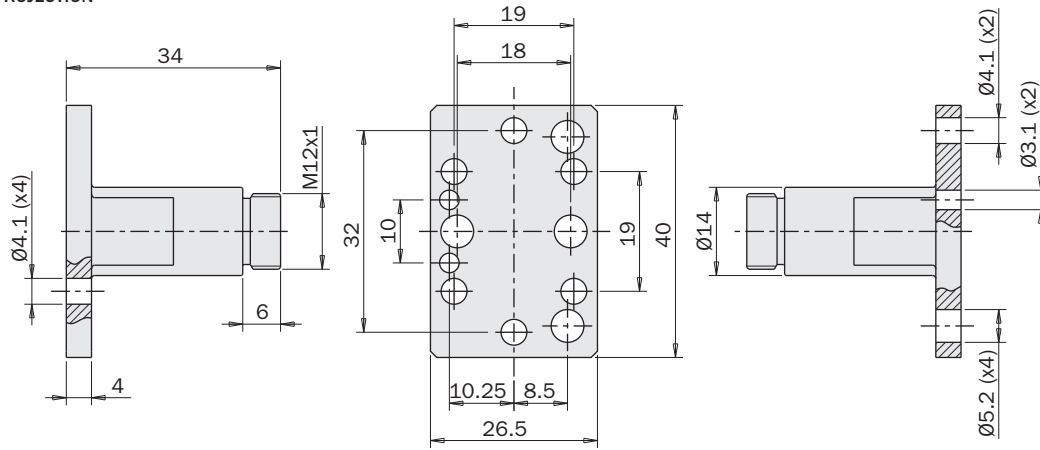
**NEW**

**MFI-A314**

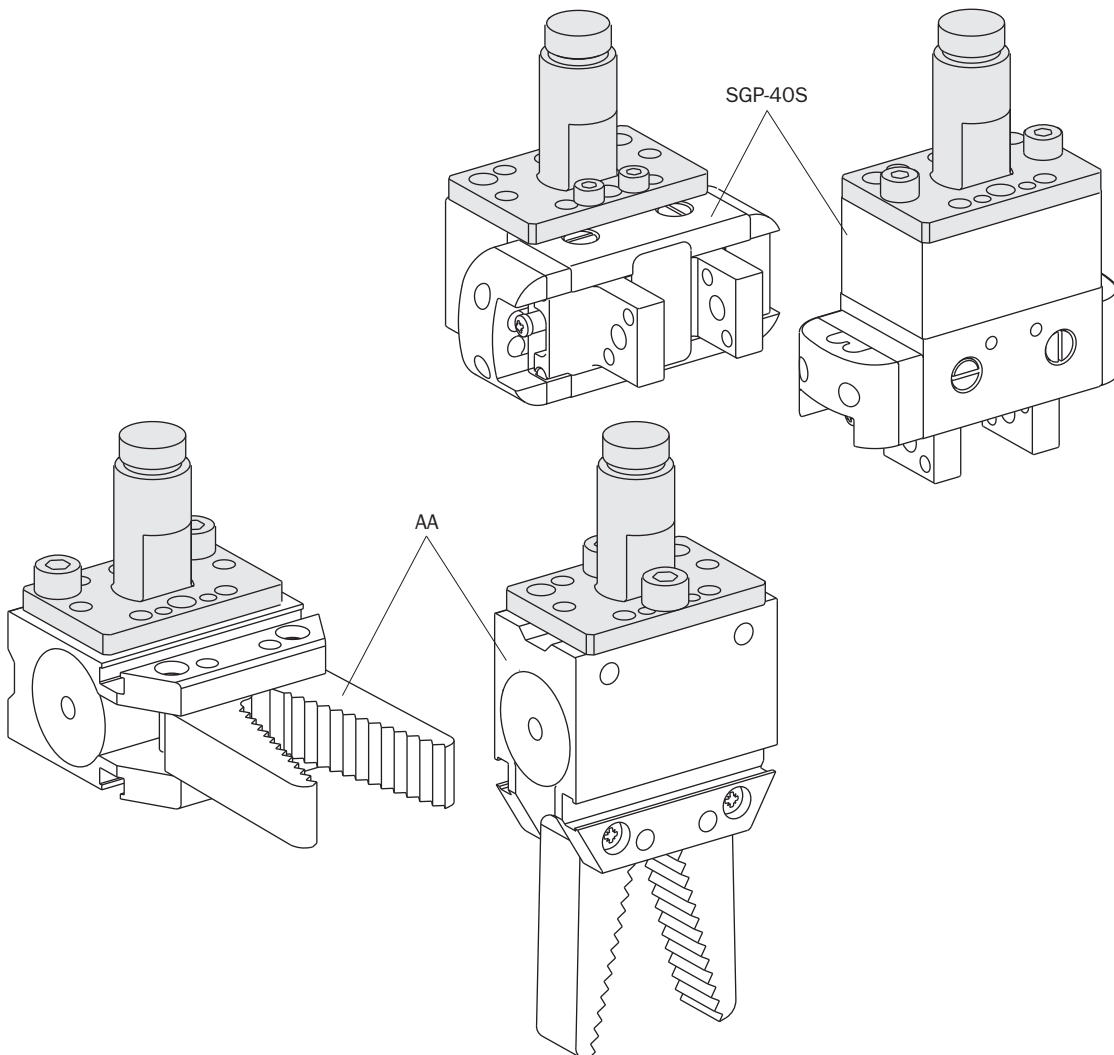
for AA / SGP-40S

Weight 25 g

FIRST ANGLE PROJECTION



**Application example**

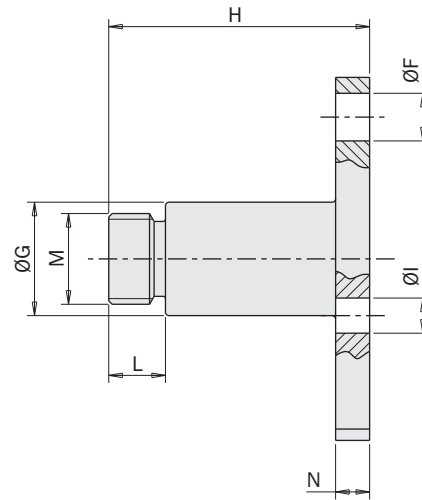
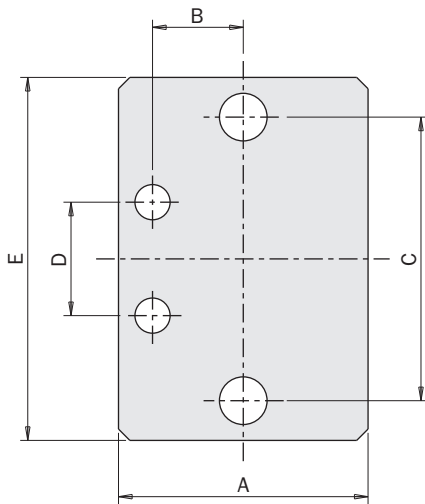


**Gripper mounting bracket**

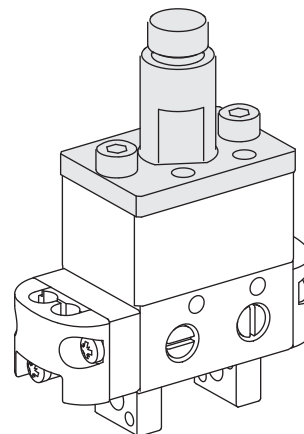
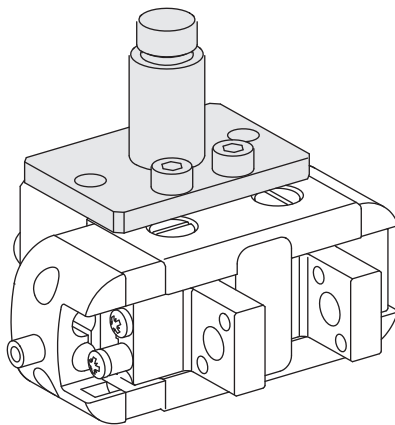
(kit with screws)

|               | <b>NEW</b><br>MFI-A315 | <b>NEW</b><br>MFI-A316 | <b>NEW</b><br>MFI-A317 |
|---------------|------------------------|------------------------|------------------------|
| for           | SGP-32S                | SGP-25S                | SGP-20S                |
| A [mm]        | 22                     | 18                     | 16                     |
| B [mm]        | 8                      | 6                      | 5.5                    |
| C [mm]        | 25                     | 20                     | 15                     |
| D [mm]        | 10                     | 10                     | 8                      |
| E [mm]        | 32                     | 26                     | 20                     |
| F [mm]        | Ø4.2                   | Ø3.1                   | Ø2.6                   |
| G [mm]        | Ø10                    | Ø10                    | Ø10                    |
| H [mm]        | 23                     | 22                     | 21                     |
| I [mm]        | Ø3.1                   | Ø3.1                   | Ø2.6                   |
| L [mm]        | 5                      | 5                      | 5                      |
| M [mm]        | M8x1                   | M8x1                   | M8x1                   |
| N [mm]        | 3                      | 3                      | 2                      |
| <b>Weight</b> | 11 g                   | 9 g                    | 7 g                    |

FIRST ANGLE PROJECTION



**Application example**

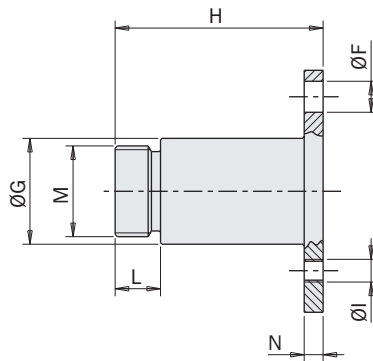
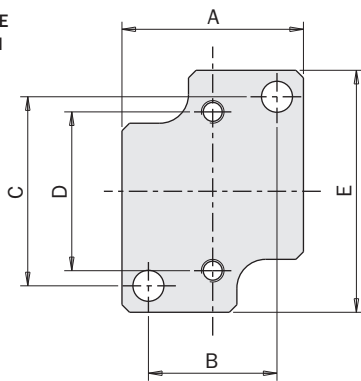


**Gripper mounting bracket**

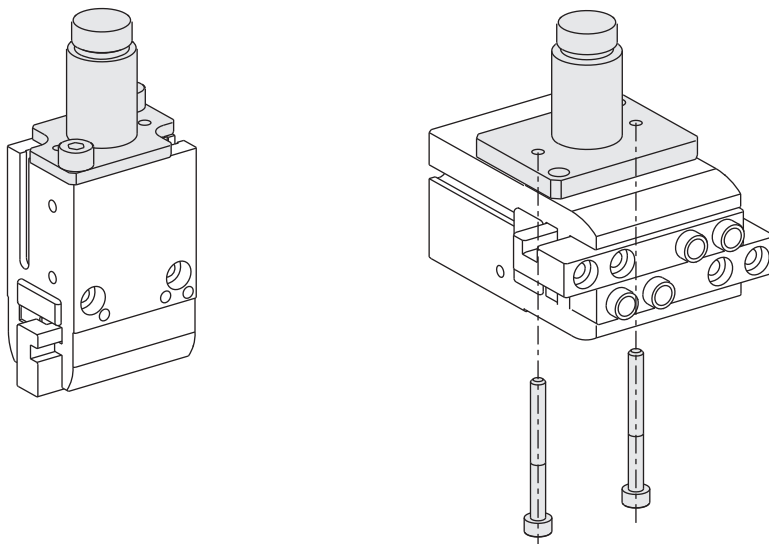
(kit with screws)

|        | <b>NEW</b><br>MFI-A318 | <b>NEW</b><br>MFI-A319 | <b>NEW</b><br>MFI-A320 |
|--------|------------------------|------------------------|------------------------|
| for    | PQ1608                 | PQ2012                 | PQ2516                 |
| A [mm] | 19.5                   | 24                     | 28                     |
| B [mm] | 14                     | 17                     | 21                     |
| C [mm] | 20                     | 25                     | 29                     |
| D [mm] | 17                     | 21                     | 24                     |
| E [mm] | 25.5                   | 32                     | 36                     |
| F [mm] | Ø3.1                   | Ø4.2                   | Ø4.2                   |
| G [mm] | Ø10                    | Ø14                    | Ø14                    |
| H [mm] | 22                     | 27.5                   | 29                     |
| I [mm] | M2.5                   | M3                     | M3                     |
| L [mm] | 5                      | 6                      | 6                      |
| M [mm] | M8x1                   | M12x1                  | M12x1                  |
| N [mm] | 3                      | 2.5                    | 4                      |
| Weight | 11 g                   | 18 g                   | 20 g                   |

FIRST ANGLE PROJECTION



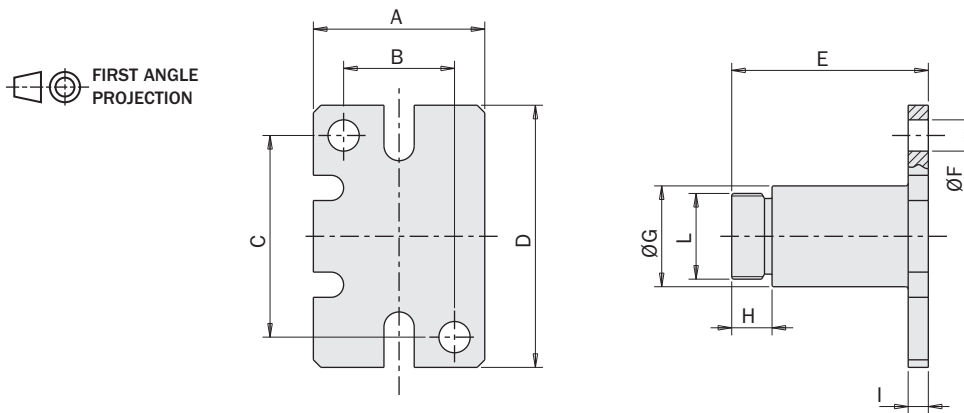
**Application example**



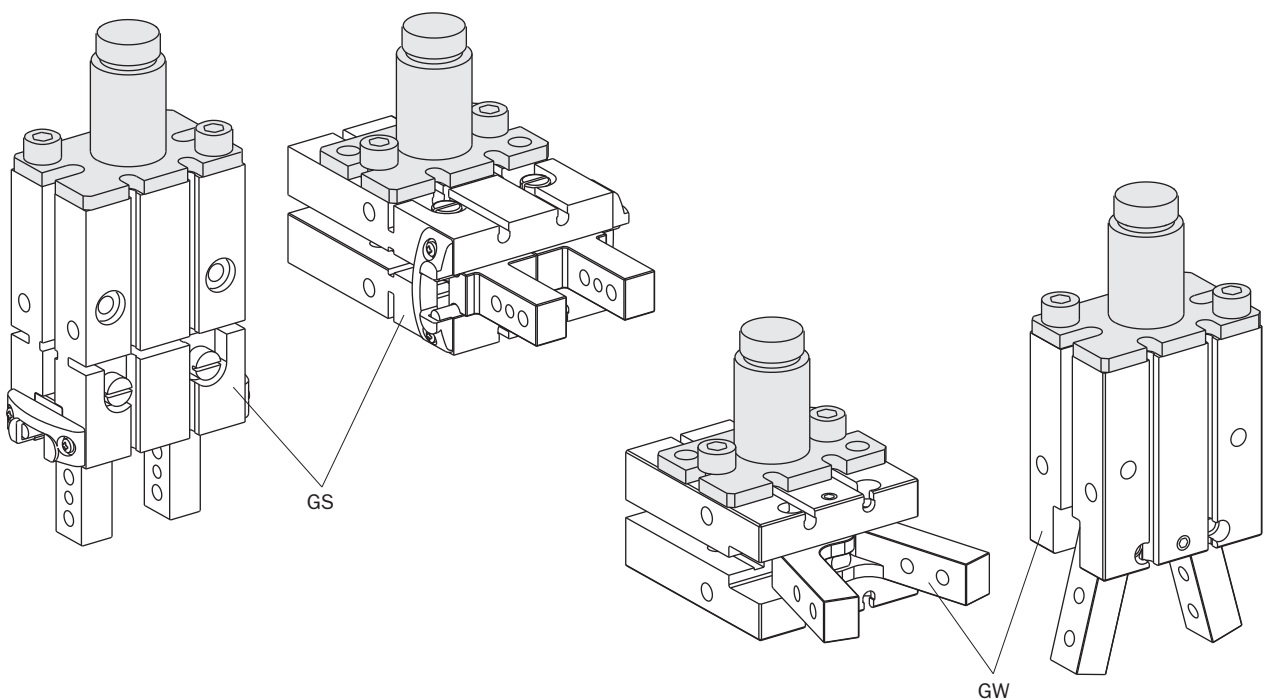
**Gripper mounting bracket**

(kit with screws)

|        | <b>NEW</b><br>MFI-A321 | <b>NEW</b><br>MFI-A322 | <b>NEW</b><br>MFI-A323 | <b>NEW</b><br>MFI-A324 |
|--------|------------------------|------------------------|------------------------|------------------------|
| for    | GS-10 / GW-10          | GS-16 / GW-16          | GS-20 / GW-20          | GS-25 / GW-25          |
| A [mm] | 17.5                   | 24                     | 28                     | 34                     |
| B [mm] | 12                     | 15                     | 18                     | 22                     |
| C [mm] | 18                     | 22                     | 32                     | 40                     |
| D [mm] | 23.5                   | 31                     | 42                     | 52                     |
| E [mm] | 21                     | 26.5                   | 30                     | 39                     |
| F [mm] | Ø3.1                   | Ø4.1                   | Ø5.2                   | Ø6.2                   |
| G [mm] | Ø10                    | Ø14                    | Ø14                    | Ø20                    |
| H [mm] | 5                      | 6                      | 6                      | 8                      |
| I [mm] | 2                      | 2.5                    | 4                      | 4                      |
| L [mm] | M8x1                   | M12x1                  | M12x1                  | M17x1                  |
| Weight | 8 g                    | 18 g                   | 29 g                   | 57 g                   |

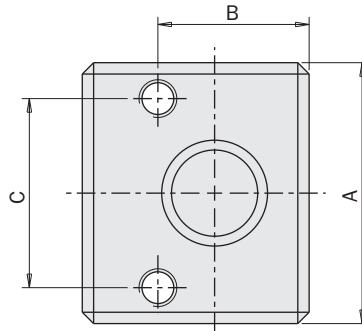
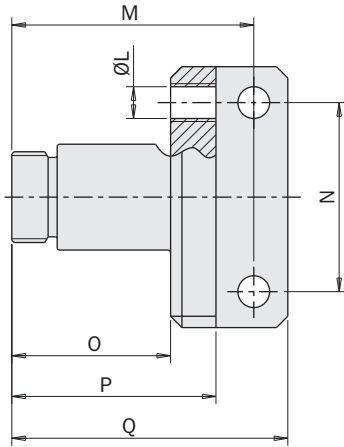
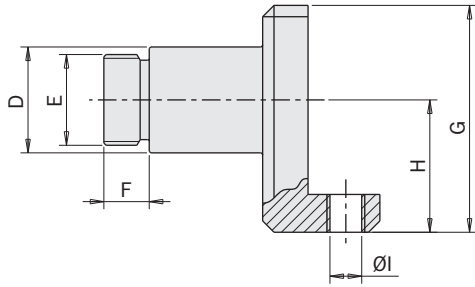


**Application example**



**Gripper mounting bracket**

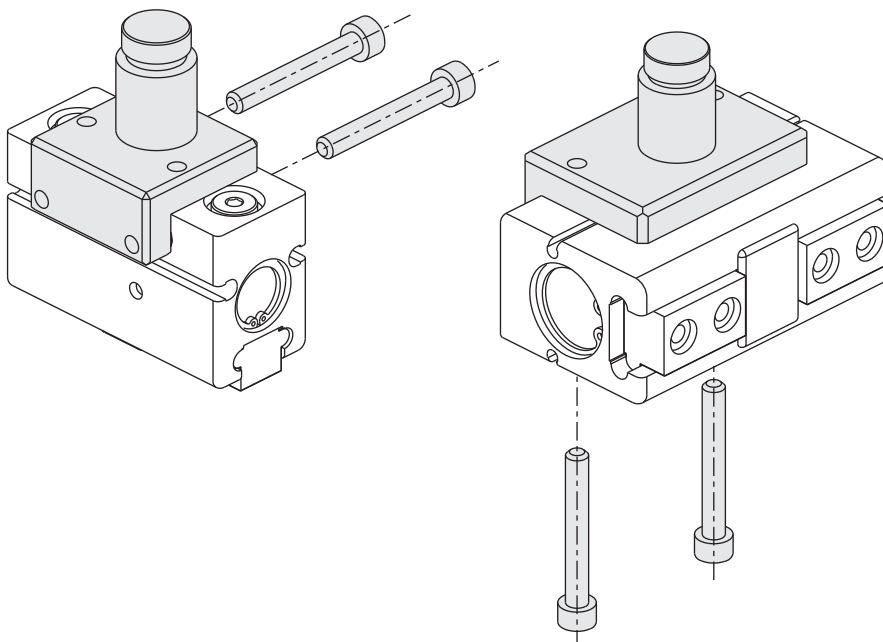
(kit with screws)



FIRST ANGLE PROJECTION

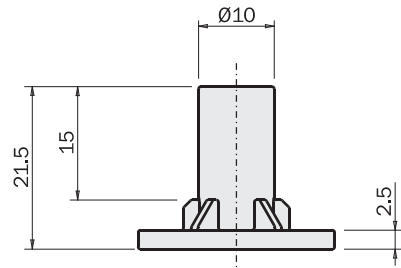
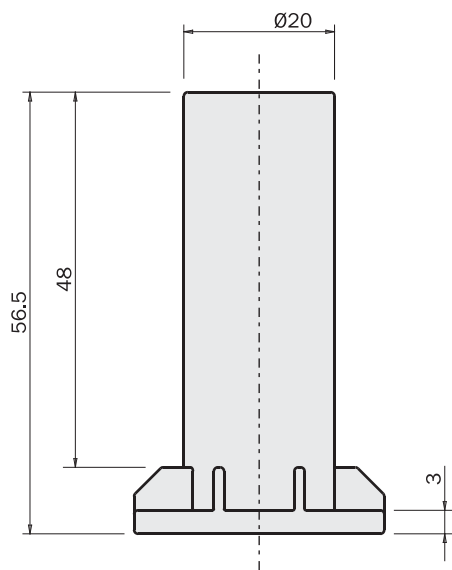
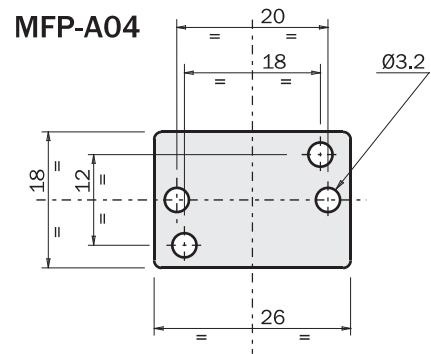
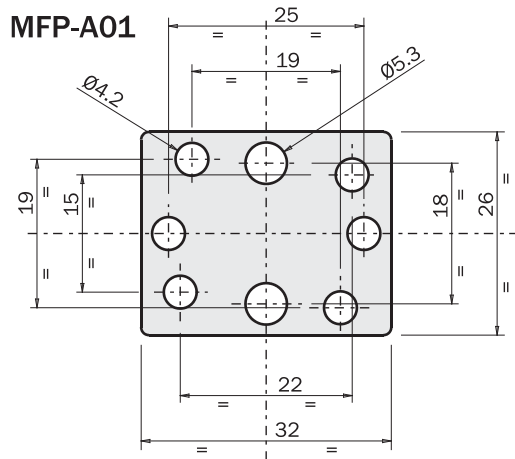
|        | <b>NEW</b><br>MFI-A325 | <b>NEW</b><br>MFI-A326 | <b>NEW</b><br>MFI-A327 |
|--------|------------------------|------------------------|------------------------|
| for    | SZ12                   | SZ16                   | SZ25                   |
| A [mm] | 29                     | 34.5                   | 62                     |
| B [mm] | 17                     | 20                     | 30                     |
| C [mm] | 22                     | 25                     | 50                     |
| D [mm] | Ø14                    | Ø14                    | Ø20                    |
| E [mm] | M12x1                  | M12x1                  | M17x1                  |
| F [mm] | 6                      | 6                      | 8                      |
| G [mm] | 28                     | 30                     | 45                     |
| H [mm] | 17                     | 17.5                   | 26.5                   |
| I [mm] | M4                     | M5                     | M6                     |
| L [mm] | M4                     | M5                     | M6                     |
| M [mm] | 32                     | 32                     | 46                     |
| N [mm] | 22                     | 25                     | 50                     |
| O [mm] | 21                     | 21                     | 29                     |
| P [mm] | 27                     | 27                     | 39                     |
| Q [mm] | 35.5                   | 36.5                   | 52                     |
| Weight | 33 g                   | 41 g                   | 140 g                  |

**Application example**



**Polymer mounting bracket for gripper**

(kit with screws)



|        | MFP-A01 | MFP-A04 |
|--------|---------|---------|
| Weight | 26 g    | 5 g     |



**Application example**

