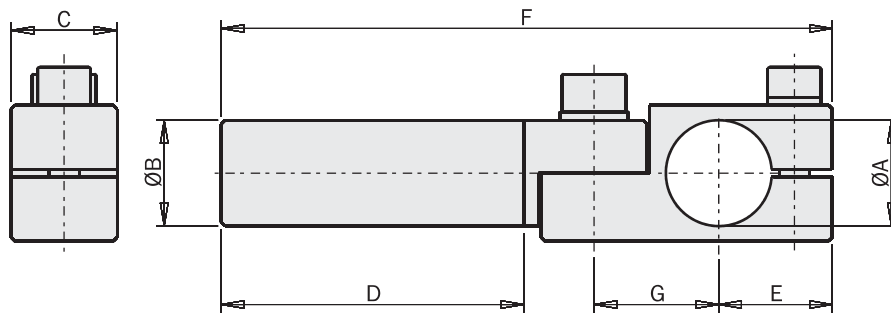


Elbow arm

(kit with screws)

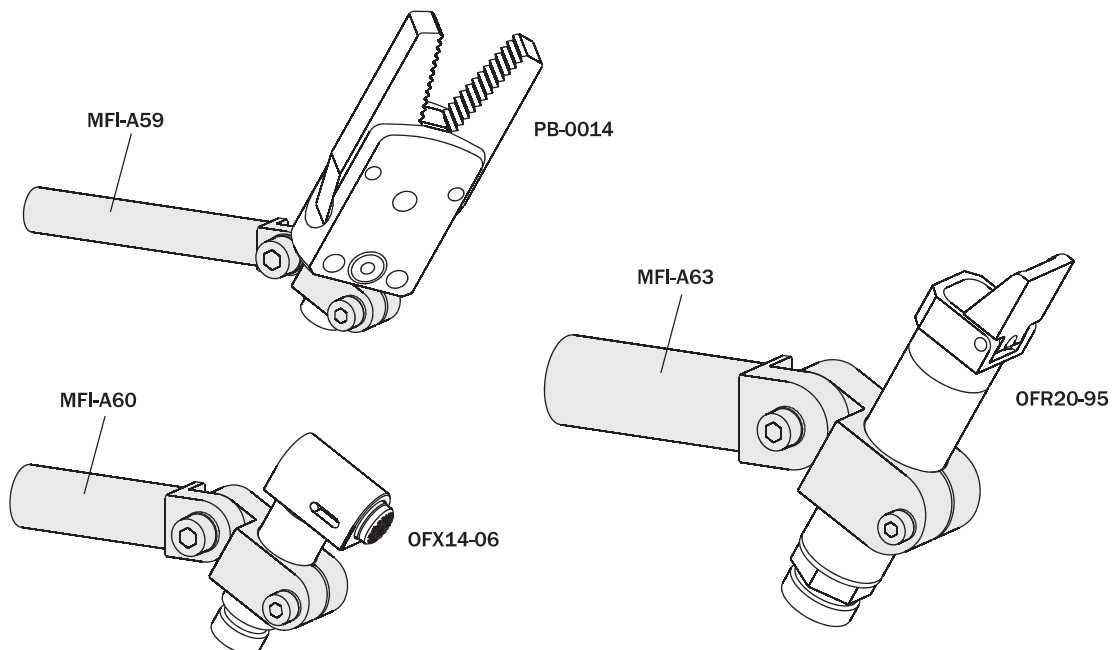
		MFI-A59	MFI-A60	MFI-A61	MFI-A62	MFI-A63	MFI-A64	MFI-A65	MFI-A167	MFI-A168	MFI-A169
A	[mm]	Ø10	Ø14	Ø14	Ø14	Ø20	Ø20	Ø20	Ø30	Ø30	Ø30
B	[mm]	Ø10	Ø14	Ø14	Ø14	Ø20	Ø20	Ø20	Ø30	Ø30	Ø30
C	[mm]	10	14	14	14	20	20	20	30	30	30
D	[mm]	60	40	80	120	50	100	150	80	140	200
E	[mm]	13	16	16	16	19	19	19	27	27	27
F	[mm]	93	82	122	162	104	154	204	160	220	280
G	[mm]	12.5	16.5	16.5	16.5	22.5	22.5	22.5	34.8	34.8	34.8
Weight		20 g	32 g	42 g	50 g	70 g	90 g	120 g	235 g	300 g	360 g



FIRST ANGLE PROJECTION



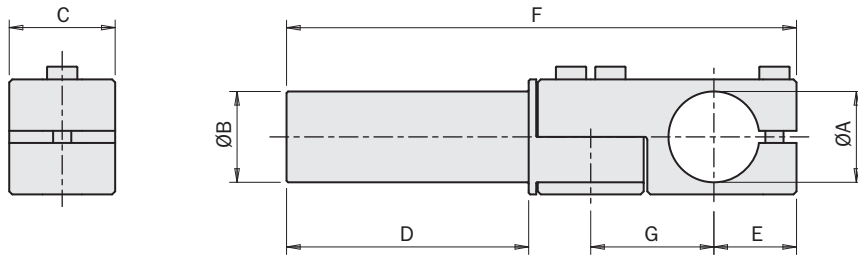
Application example



Heavy duty elbow arm

(kit with screws)

		MFI-A195	MFI-A199	MFI-A200	MFI-A196	MFI-A197	MFI-A198
A	[mm]	Ø20	Ø20	Ø20	Ø30	Ø30	Ø30
B	[mm]	Ø20	Ø20	Ø20	Ø30	Ø30	Ø30
C	[mm]	25	25	25	35	35	35
D	[mm]	50	100	150	80	140	200
E	[mm]	19.5	19.5	19.5	27.3	27.3	27.3
F	[mm]	113.5	163.5	213.5	168.5	228.5	288.5
G	[mm]	28.7	28.7	28.7	40.7	40.7	40.7
Weight		95 g	115 g	130 g	330 g	380 g	435 g



FIRST ANGLE PROJECTION



Application example

