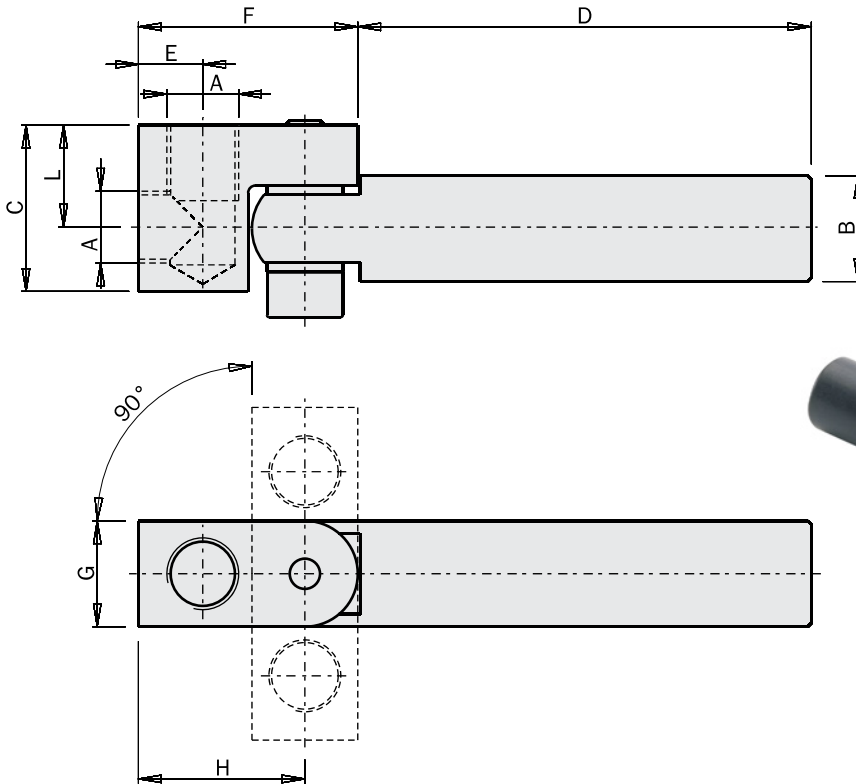


**Elbow arm for vacuum cup**

(kit with screws)

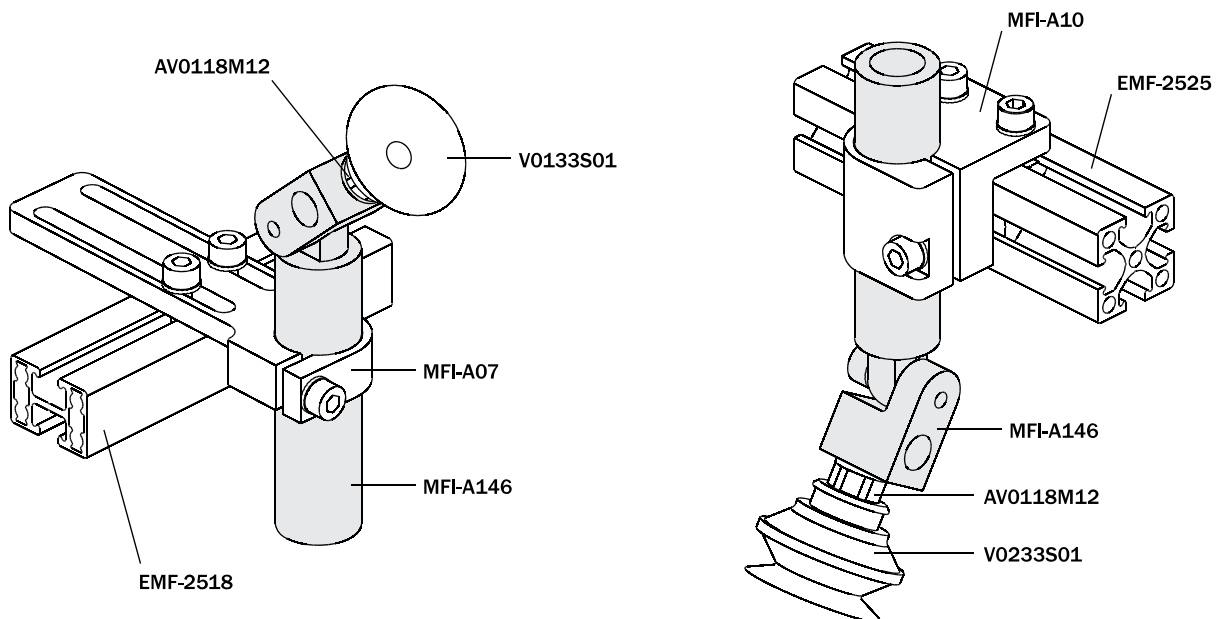
	A	B [mm]	C [mm]	D [mm]	E [mm]	F [mm]	G [mm]	H [mm]	L [mm]	Weight	Price
<b>MFI-A142</b>	M5	Ø10	16.5	45	5.5	19	14	22	11	18 g	\$20.30
<b>MFI-A143</b>	M5	Ø10	16.5	90	5.5	19	14	22	11	27 g	\$21.38
<b>MFI-A144</b>	G1/8"	Ø14	22	60	8.5	29	14	22	13.5	33 g	\$28.51
<b>MFI-A145</b>	G1/8"	Ø14	22	120	8.5	29	14	22	13.5	50 g	\$29.38
<b>MFI-A146</b>	G1/8"	Ø20	22	78	8.5	29	14	22	13.5	60 g	\$29.95
<b>MFI-A147</b>	G1/8"	Ø20	22	153	8.5	29	14	22	13.5	100 g	\$31.10
<b>MFI-A148</b>	G1/4"	Ø20	27	75	12	38	20	28	15	75 g	\$29.95
<b>MFI-A149</b>	G1/4"	Ø20	27	150	12	38	20	28	15	115 g	\$31.10



FIRST ANGLE PROJECTION



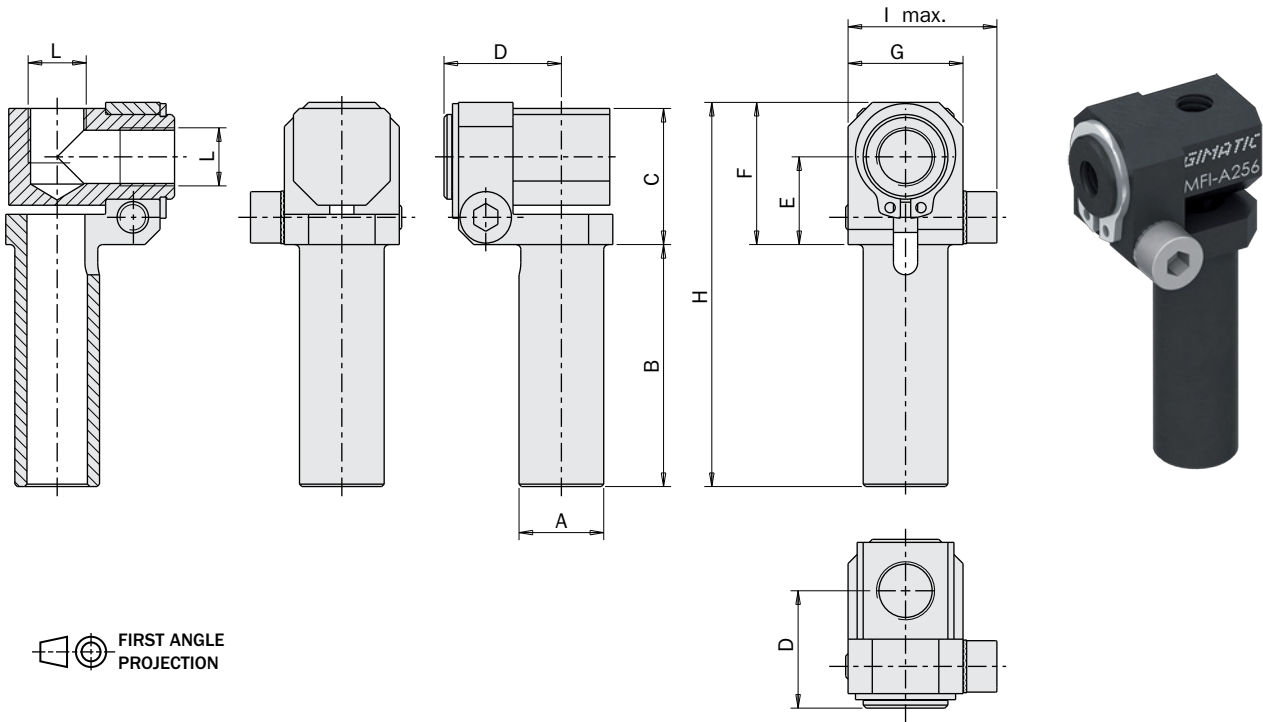
**Application example**



**Elbow arm for vacuum cup clamping**

(kit with screws)

	A [mm]	B [mm]	C [mm]	D [mm]	E [mm]	F [mm]	G [mm]	H [mm]	I [mm]	L [mm]	Weight	Price
<b>MFI-A256</b>	Ø10	30	17	14.5	11	18	14	48	18.5	M5	14 g	\$22.00
<b>MFI-A257</b>	Ø10	60	17	14.5	11	18	14	78	18.5	M5	17 g	\$23.00
<b>MFI-A258</b>	Ø10	90	17	14.5	11	18	14	108	18.5	M5	20 g	\$24.00
<b>MFI-A259</b>	Ø14	40	22.5	19.4	14.5	23.5	19	63.5	24.5	G1/8"	32 g	\$31.00
<b>MFI-A260</b>	Ø14	80	22.5	19.4	14.5	23.5	19	103.5	24.5	G1/8"	40 g	\$32.00
<b>MFI-A261</b>	Ø14	120	22.5	19.4	14.5	23.5	19	143.5	24.5	G1/8"	48 g	\$33.00
<b>MFI-A290</b>	Ø20	50	28	23.3	18	30	24	80	31	G1/8"	63 g	\$32.50
<b>MFI-A291</b>	Ø20	100	28	23.3	18	30	24	130	31	G1/8"	78 g	\$33.50
<b>MFI-A292</b>	Ø20	150	28	23.3	18	30	24	180	31	G1/8"	93 g	\$35.00
<b>MFI-A262</b>	Ø20	50	28	23.3	18	30	24	80	31	G1/4"	58 g	\$32.50
<b>MFI-A263</b>	Ø20	100	28	23.3	18	30	24	130	31	G1/4"	73 g	\$33.50
<b>MFI-A264</b>	Ø20	150	28	23.3	18	30	24	180	31	G1/4"	88 g	\$35.00



FIRST ANGLE PROJECTION

**Application example**

