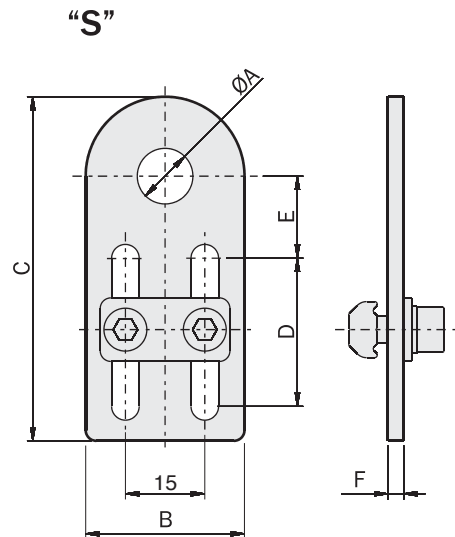
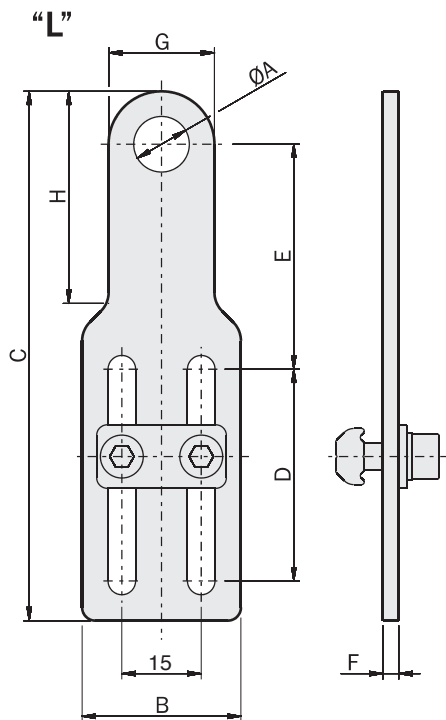


Mounting bracket

(kit with screws)

	Typo Type	A [mm]	B [mm]	C [mm]	D [mm]	E [mm]	F [mm]	G [mm]	H [mm]	Weight
MFI-A116	L	Ø10.5	30	100	40	42.5	3	20	38	60 g
MFI-A117	L	Ø12.5	30	100	40	42.5	3	20	38	60 g
MFI-A118	L	Ø14.5	30	100	40	42.5	3	24	38	60 g
MFI-A119	L	Ø16.5	30	100	40	42.5	3	30	-	65 g
MFI-A120	L	Ø20.5	30	100	40	42.5	3	30	-	60 g
MFI-A181	L	Ø22.5	30	100	40	42.5	5	35	26	105 g
MFI-A182	L	Ø25.5	30	100	40	42.5	5	35	26	100 g
MFI-A121	S	Ø10.5	30	65	28	15.5	3	-	-	45 g
MFI-A122	S	Ø12.5	30	65	28	15.5	3	-	-	45 g
MFI-A123	S	Ø14.5	30	65	28	15.5	3	-	-	45 g
MFI-A124	S	Ø16.5	30	65	28	15.5	3	-	-	45 g
MFI-A125	S	Ø20.5	30	65	28	15.5	3	-	-	40 g
MFI-A183	S	Ø22.5	30	70	28	17	5	35	26	75 g
MFI-A184	S	Ø25.5	30	70	28	17	5	35	26	70 g



Application example

