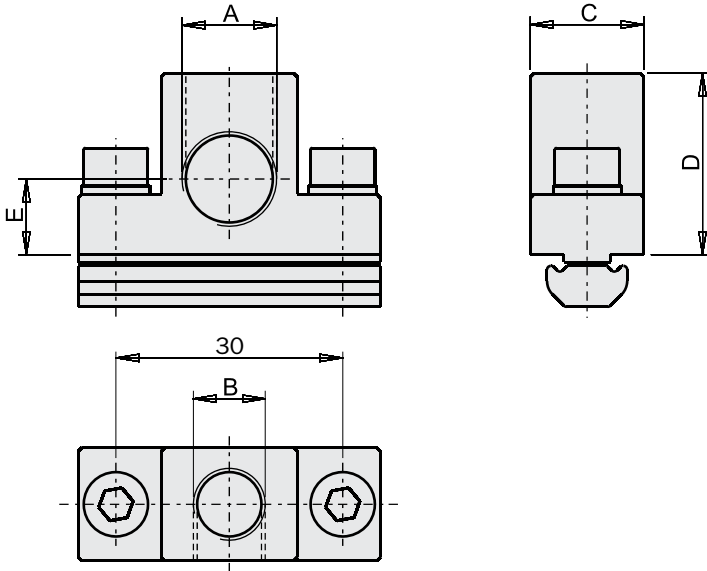


Direct connector for vacuum cup

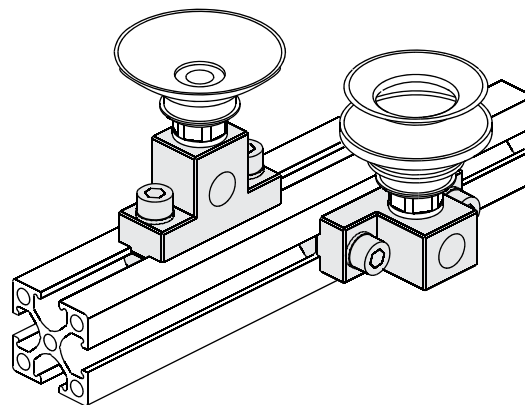
(kit with screws)



	MFI-A46	MFI-A47
A [mm]	G1/8"	G1/4"
B [mm]	G1/8"	G1/8"
C [mm]	15	15
D [mm]	24	24
E [mm]	12	10
	EMF-1018	-
	EMF-1818	-
	EMF-2510	EMF-2510
	EMF-2518	EMF-2518
	EMF-2525	EMF-2525
EMF/EMB	EMF-5025	EMF-5025
	EMF-4040	EMF-4040
	EMF-8040	EMF-8040
	EMB-2017	-
	EMB-3026	EMB-3026
	EMB-5045	EMB-5045
Weight	42 g	40 g
Price	\$10.58	\$10.58

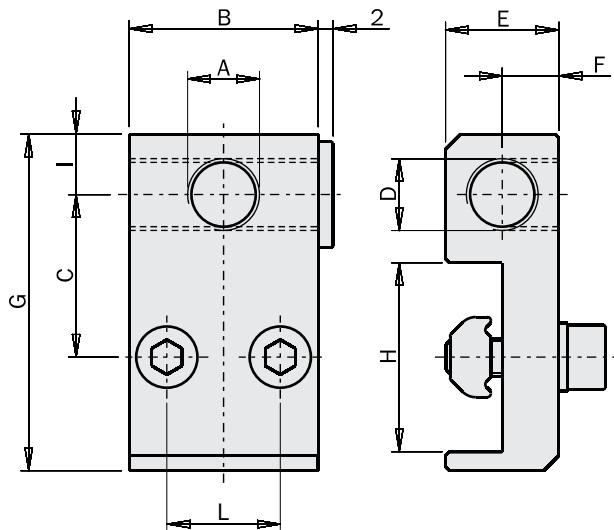


Application example



Mounting bracket for vacuum cup

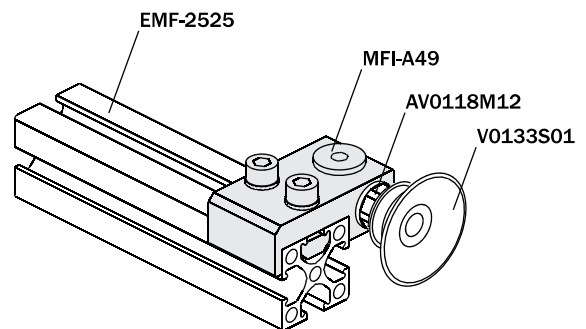
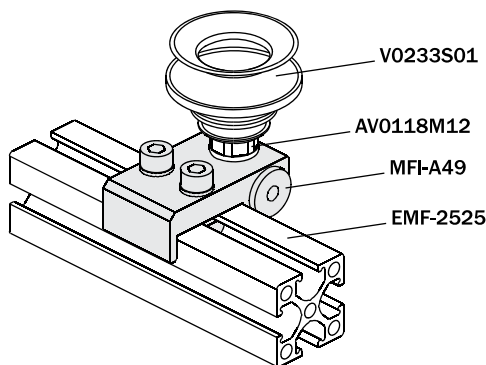
(kit with screws)



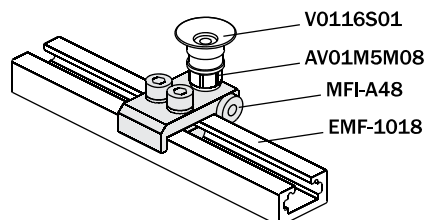
	MFI-A48	MFI-A49	MFI-A50
A [mm]	M5	G1/8"	G1/4"
B [mm]	16	25	25
C [mm]	13.5	21.5	21.5
D [mm]	M5	G1/8"	G1/8"
E [mm]	8	15	15
F [mm]	4	7.5	7.5
G [mm]	29	44.5	46.5
H [mm]	18	25	25
I [mm]	4.3	8	10
L [mm]	8	15	15
	EMF-1818	EMF-2510	EMF-2510
EMF - ...	EMF-1018	EMF-2518	EMF-2518
	-	EMF-2525	EMF-2525
	-	EMF-5025	EMF-5025
Weight	15 g	45 g	45 g
Price	\$11.35	\$14.42	\$15.29



Application example

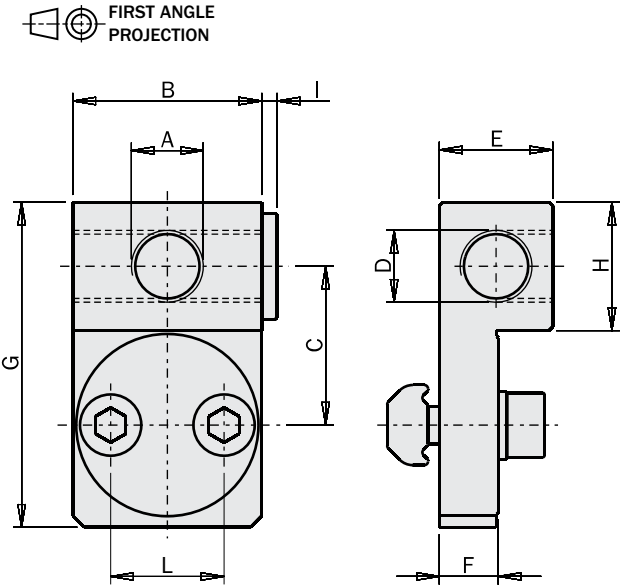


Only for MFI-A48 and MFI-A49



Adjustable angle connector for vacuum cup

(kit with screws)



	MFI-A54	MFI-A55	MFI-A56
A [mm]	M5	G1/8"	G1/4"
B [mm]	16	25	25
C [mm]	13	21	21
D [mm]	M5	G1/8"	G1/8"
E [mm]	10	15	15
F [mm]	5.3	7.8	7.8
G [mm]	28	43	43
H [mm]	10	17	17
I [mm]	2	2	2
L [mm]	8	15	15
	EMF-1018	-	-
	EMF-1818	-	-
	EMF-2510	EMF-2510	EMF-2510
	EMF-2518	EMF-2518	EMF-2518
	EMF-2525	EMF-2525	EMF-2525
EMF/EMB	EMF-5025	EMF-5025	EMF-5025
	-	EMF-4040	EMF-4040
	-	EMF-8040	EMF-8040
	EMB-2017	EMB-2017	EMB-2017
	EMB-3026	EMB-3026	EMB-3026
	EMB-5045	EMB-5045	EMB-5045
Weight	15 g	45 g	42 g
Price	\$14.11	\$18.43	\$18.36

Application example

