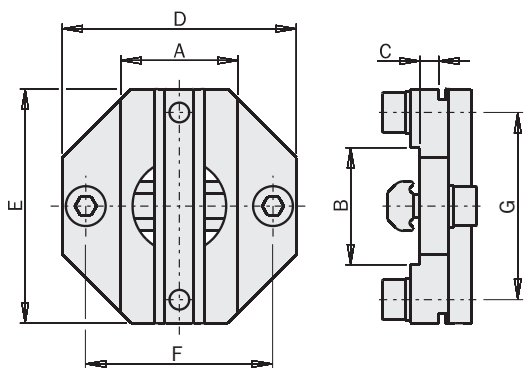


Cross mounting bracket for profiles

(kit with screws)



FIRST ANGLE PROJECTION

	MFI-A175	MFI-A265	MFI-A11	MFI-A12	MFI-A13	MFI-A29	MFI-A30	MFI-A31	MFI-A32	MFI-A33
A [mm]	18	18	25	50	25	40	80	40	25	25
B [mm]	18	25	25	50	50	40	80	80	80	40
C [mm]	2	4	4	4	4	4	4	4	4	4
D [mm]	38	38	45	70	45	60	100	60	45	45
E [mm]	38	45	45	70	70	60	100	100	100	60
F [mm]	28	35	35	60	35	50	90	50	35	35
G [mm]	28	35	35	60	60	50	90	90	90	50
EMF-1018	☑	☑	☐	☐	☐	☐	☐	☐	☐	☐
EMF-1818	☑	☑	☐	☐	☐	☐	☐	☐	☐	☐
EMF-2510	☐	☑	☑	☐	☑	☐	☐	☐	☑	☑
EMF-2518	☐	☑	☑	☐	☑	☐	☐	☐	☑	☑
EMF-2525	☐	☑	☑	☐	☑	☐	☐	☐	☑	☑
EMF-5025	☐	☑	☑	☑	☑	☐	☐	☐	☑	☑
EMF-4040	☐	☐	☐	☐	☐	☑	☐	☑	☐	☑
EMF-8040	☐	☐	☐	☐	☐	☑	☑	☑	☑	☑
Weight	40 g	60 g	75 g	170 g	155 g	85 g	255 g	175 g	140 g	75 g

Application example

