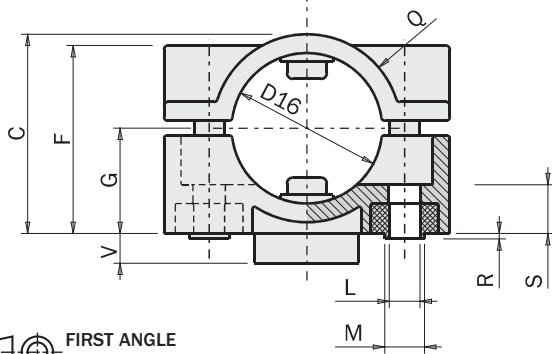
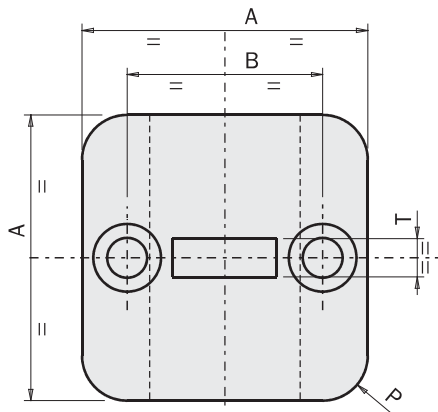


Single block assembly

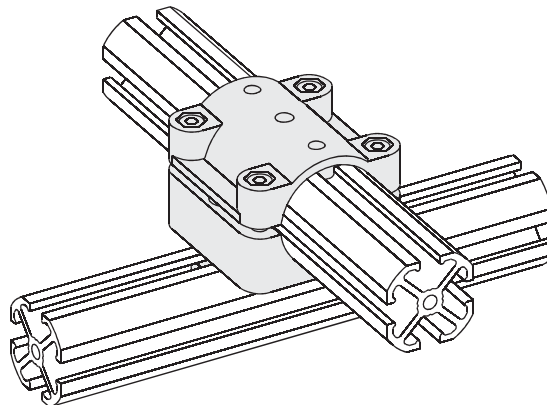
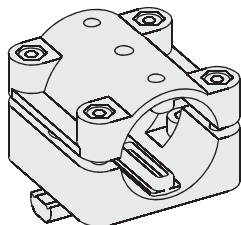
(kit with screws)



FIRST ANGLE PROJECTION

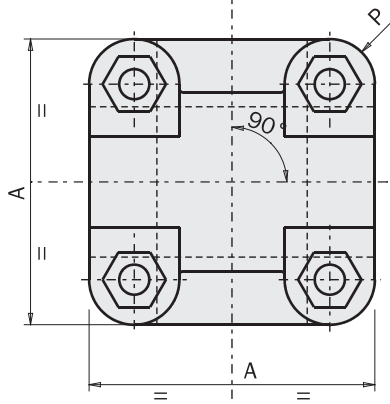
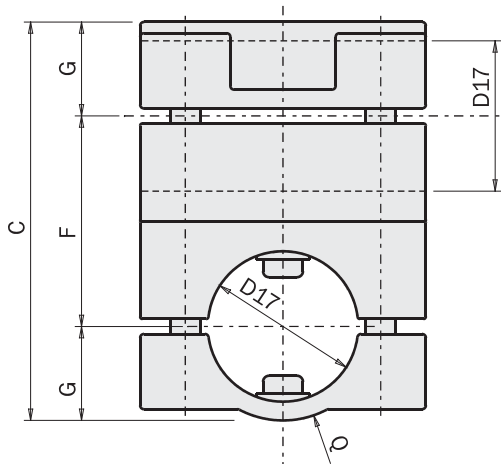
	MFI-A188	MFI-A189	MFI-A190
A [mm]	38	48	73
B [mm]	26	36	59
C [mm]	26.5	36.5	56
D16 [mm]	Ø20	Ø30	Ø50
F [mm]	25	32	45.5
G [mm]	14	18.5	28
L [mm]	Ø4.1	Ø5.1	6.3
M [mm]	Ø5.3	Ø6.4	-
P [mm]	6	6	7
Q [mm]	12.5	12.5	28
R [mm]	0.7	1	-
S [mm]	6.5	6.5	16
T [mm]	-	-	10.3
V [mm]	-	-	3
Weight	48 g	77 g	510 g

Application example



Double block assembly

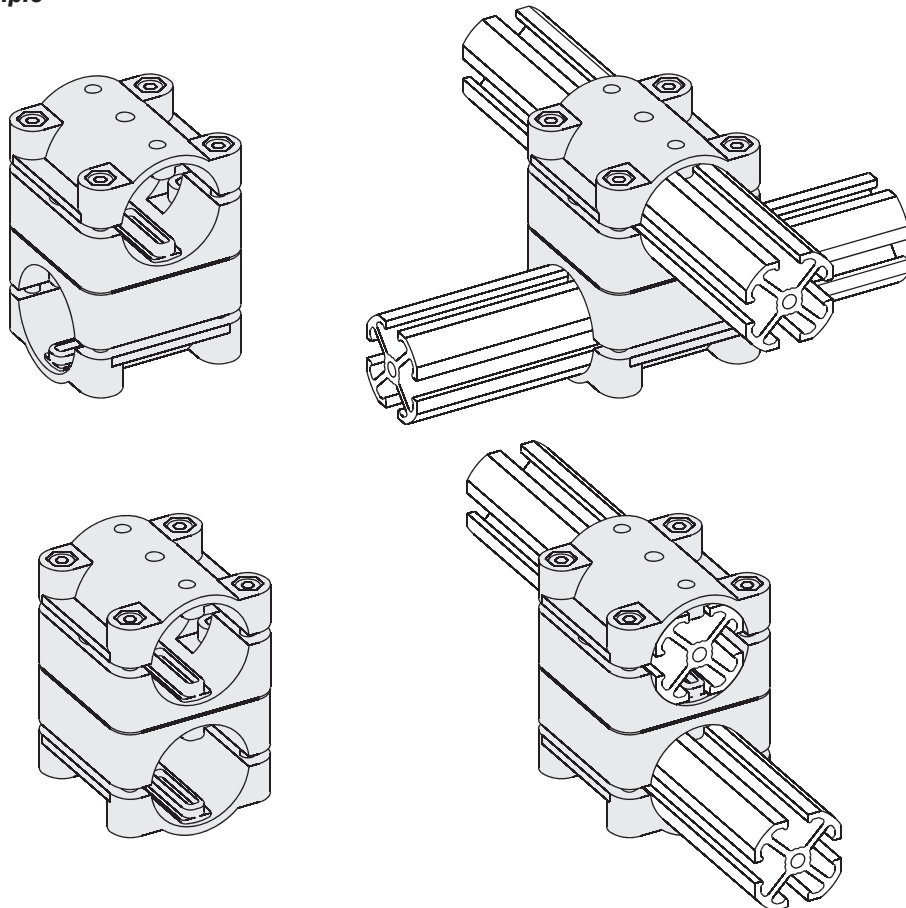
(kit with screws)



FIRST ANGLE PROJECTION

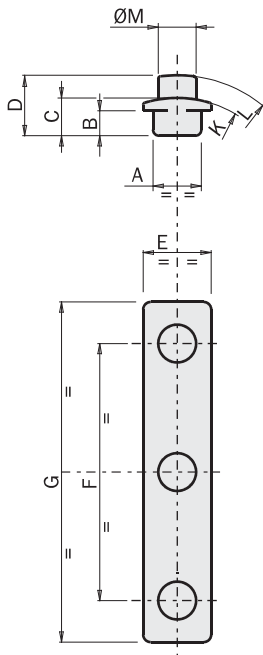
	MFI-A191	MFI-A192	MFI-A193
A [mm]	38	48	73
C [mm]	53	73	112
D17 [mm]	Ø20	Ø30	Ø50
F [mm]	28	37	56
G [mm]	12.5	18	28
P [mm]	6	6	7
Q [mm]	12.5	18	28
Weight	77 g	122 g	930 g

Application example

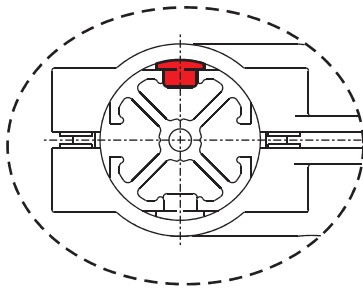


Rounded centering feather keys

(10 pieces package)



		MFI-A186	MFI-A185	MFI-A187
A	[mm]	6.4	6.4	6.4
B	[mm]	3.3	3	3
C	[mm]	5	4.5	5.5
D	[mm]	8	7	8.5
E	[mm]	9	8.5	15
F	[mm]	34	28	44
G	[mm]	45	36	60
K	[mm]	R15	R10	R25
L	[mm]	R18	R12.5	R28
M	[mm]	Ø5	Ø4	Ø8
EMB		EMB-3026	EMB-2017	EMB-5045
Weight		20 g	10 g	40 g



Application example

