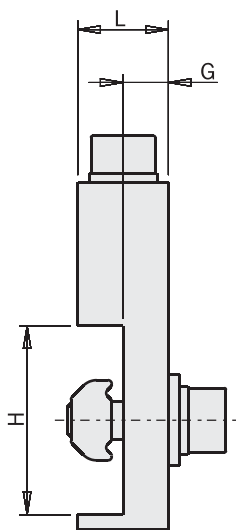
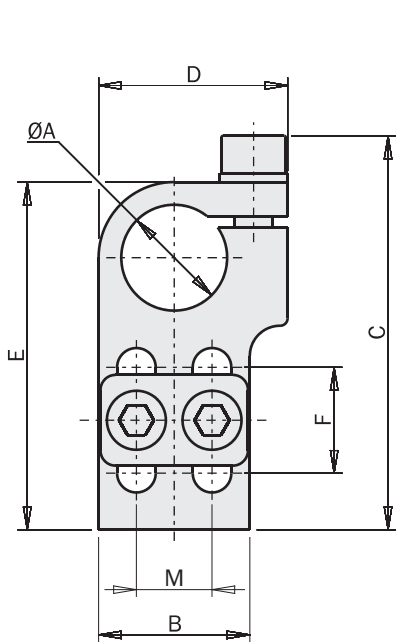


**Mounting bracket**

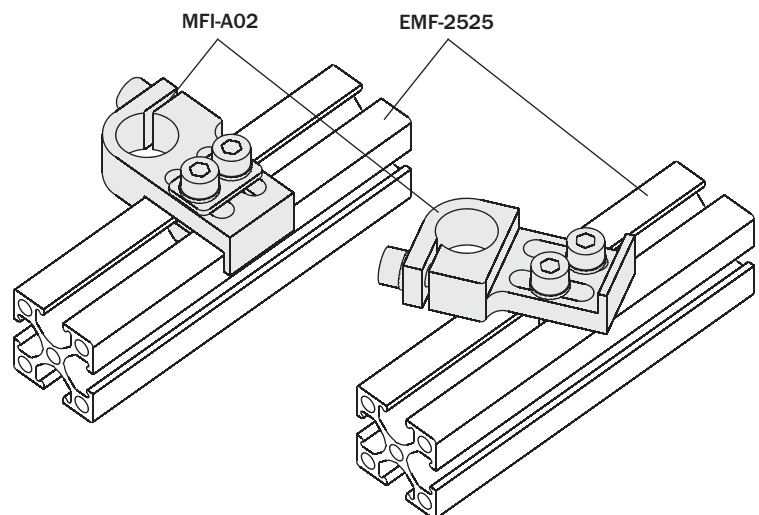
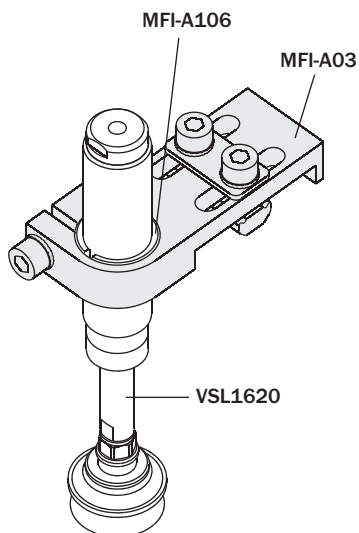
(kit with screws)

	MFI-A01	MFI-A270	MFI-A02	MFI-A204	MFI-A03
A [mm]	Ø10	Ø10	Ø14	Ø20	Ø20
B [mm]	16	16	20	25	25
C [mm]	43	49	52.1	57.1	74.1
D [mm]	20	20	25	30	30
E [mm]	38	44	46	51.5	68
F [mm]	10	14	14	14	22
G [mm]	4.5	4.5	6	6.2	6
H [mm]	18	25	25	25	40
L [mm]	8	8	12	12	12
M [mm]	8	8	10	15	15
EMF...	EMF-1018 EMF-1818	EMF-2510 EMF-2518 EMF-2525 EMF-5025	EMF-2510 EMF-2518 EMF-2525 EMF-5025	EMF-2510 EMF-2518 EMF-2525 EMF-5025	EMF-4040 EMF-8040
Weight	20 g	21 g	34 g	45 g	48 g



FIRST ANGLE PROJECTION

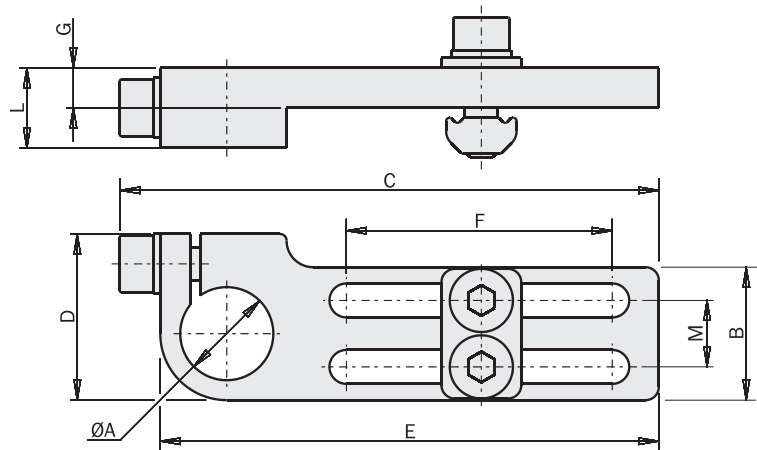
**Application example**



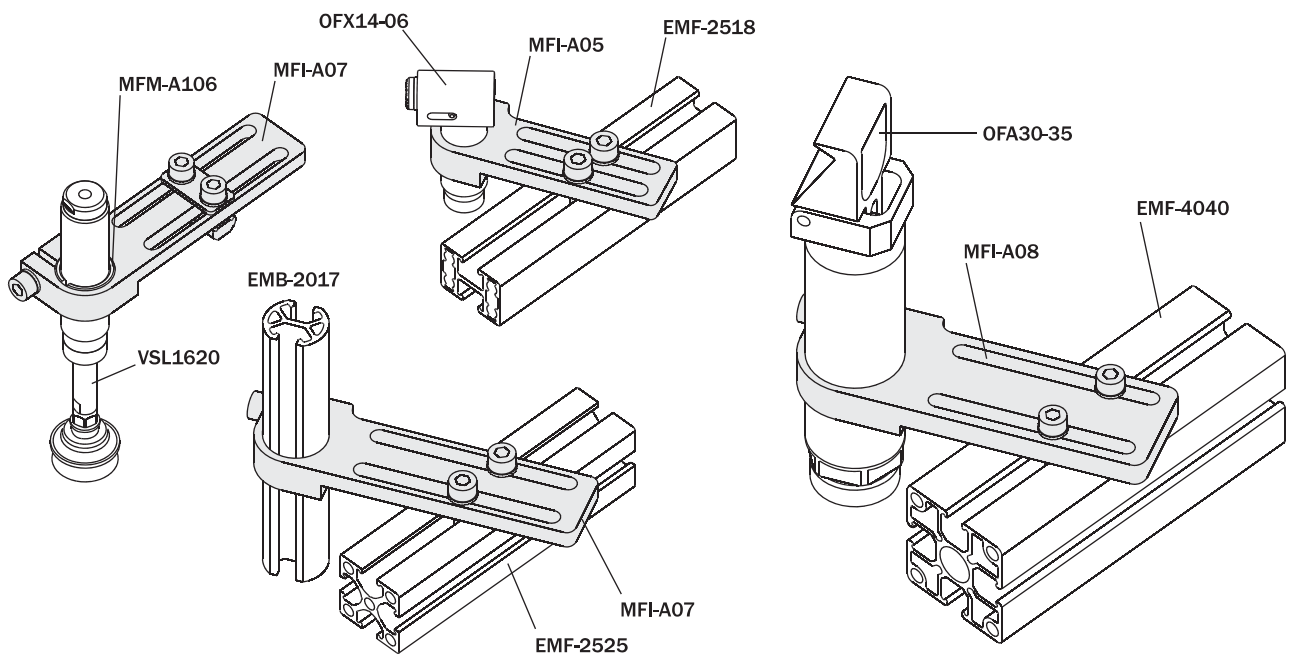
**Mounting bracket**

(kit with screws)

		MFI-A04	MFI-A05	MFI-A06	MFI-A07	MFI-A08
A	[mm]	Ø10	Ø14	Ø14	Ø20	Ø30
B	[mm]	16	20	20	25	35
C	[mm]	75	81.1	91.1	111.1	121.1
D	[mm]	20	25	25	30	40
E	[mm]	70	75	85	105	115
F	[mm]	40	40	50	60	60
G	[mm]	4.5	6	6	6	8
L	[mm]	8	12	12	12	12
M	[mm]	8	10	10	15	22
EMF / EMB		EMF-1018	EMF-1018	EMF-1018	-	-
		EMF-1818	EMF-1818	EMF-1818	-	-
		EMF-2510	EMF-2510	EMF-2510	EMF-2510	EMF-2510
		EMF-2518	EMF-2518	EMF-2518	EMF-2518	EMF-2518
		EMF-2525	EMF-2525	EMF-2525	EMF-2525	EMF-2525
		EMF-5025	EMF-5025	EMF-5025	EMF-5025	EMF-5025
		-	EMF-4040	EMF-4040	EMF-4040	EMF-4040
		-	EMF-8040	EMF-8040	EMF-8040	EMF-8040
		EMB-2017	EMB-2017	EMB-2017	-	-
		EMB-3026	EMB-3026	EMB-3026	EMB-3026	EMB-3026
	EMB-5045	EMB-5045	EMB-5045	EMB-5045	EMB-5045	
Weight		23 g	38 g	40 g	55 g	95 g



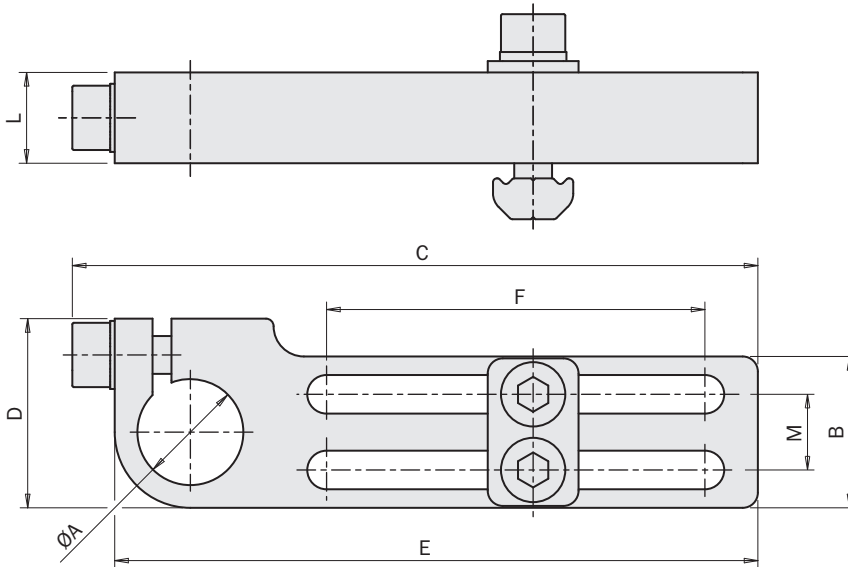
**Application example**



**Heavy duty mounting bracket**

(kit with screws)

	MFI-A207	MFI-A209	MFI-A205	MFI-A206
A [mm]	Ø10	Ø14	Ø20	Ø30
B [mm]	16	20	25	35
C [mm]	75	90.6	110.6	122.2
D [mm]	20	25	30	42
E [mm]	70	85	105	115
F [mm]	40	50	60	60
L [mm]	8.3	12	15	20
M [mm]	8	10	15	22
Weight	30 g	60 g	85 g	175 g



FIRST ANGLE PROJECTION



**Application example**

