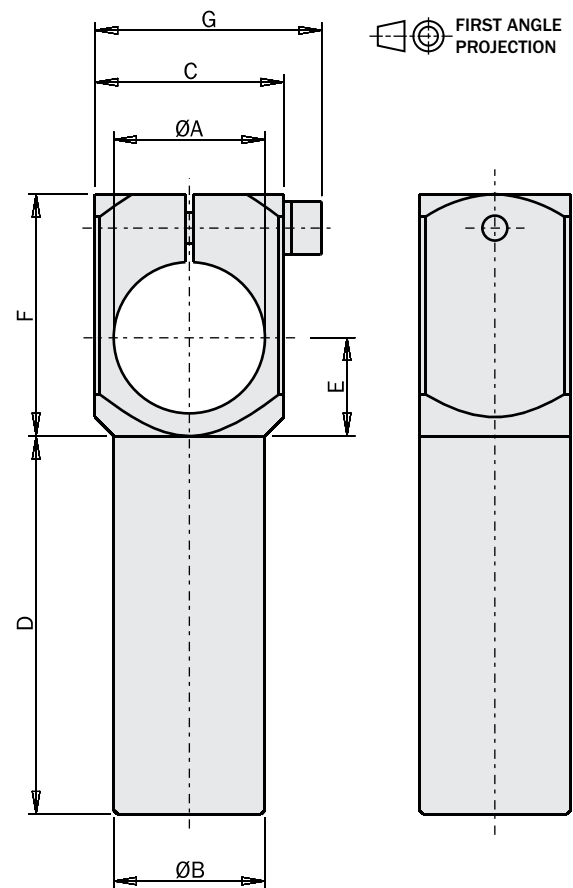


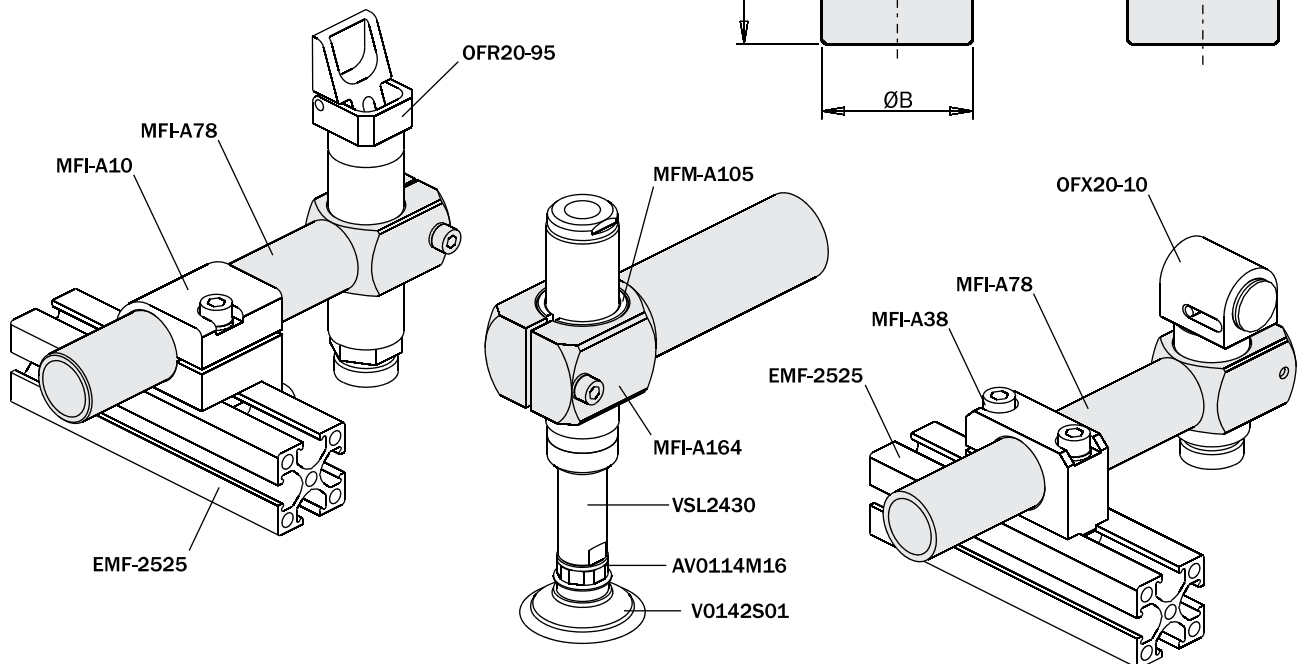
Clamp leg

(kit with screws)

	A [mm]	B [mm]	C [mm]	D [mm]	E [mm]	F [mm]	G [mm]	Weight	Price
MFI-A158	Ø10	Ø10	14	30	7	19	19	10 g	\$15.75
MFI-A159	Ø10	Ø10	14	60	7	19	19	15 g	\$16.20
MFI-A160	Ø10	Ø10	14	90	7	19	19	20 g	\$16.85
MFI-A161	Ø14	Ø14	18	40	10	26	24	20 g	\$19.25
MFI-A162	Ø14	Ø14	18	80	10	26	24	30 g	\$20.25
MFI-A163	Ø14	Ø14	18	120	10	26	24	40 g	\$21.25
MFI-A77	Ø20	Ø20	25	50	13	32	32	45 g	\$24.84
MFI-A78	Ø20	Ø20	25	100	13	32	32	70 g	\$26.57
MFI-A79	Ø20	Ø20	25	150	13	32	32	105 g	\$28.10
MFI-A164	Ø30	Ø30	40	80	19	44	46	170 g	\$29.60
MFI-A165	Ø30	Ø30	40	140	19	44	46	230 g	\$31.45
MFI-A166	Ø30	Ø30	40	200	19	44	46	300 g	\$33.20



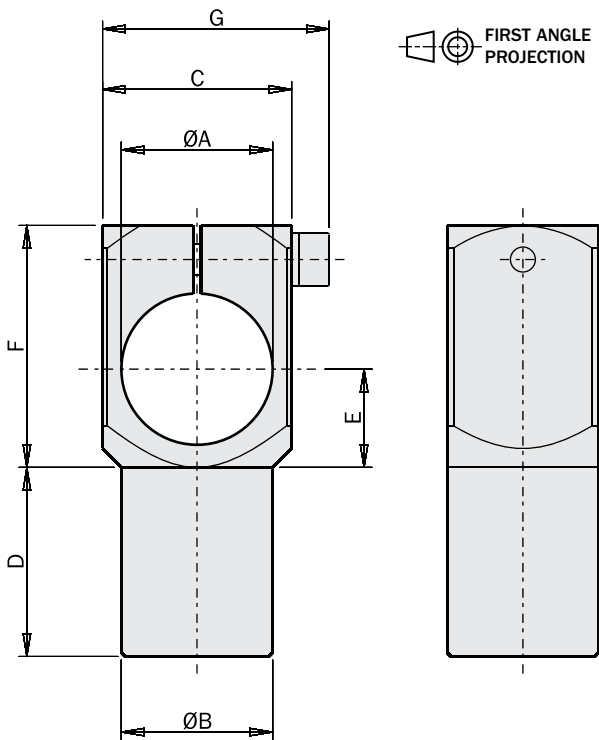
Application example



Clamp leg

(kit with screws)

		MFI-A93	MFI-A157	MFI-A94	MFI-A95	MFI-A203
A	[mm]	Ø10	Ø14	Ø20	Ø30	Ø30
B	[mm]	Ø10	Ø14	Ø20	Ø20	Ø30
C	[mm]	14x10	18x14	25x20	40x20	40x30
D	[mm]	15	20	25	25	40
E	[mm]	7	10	13	19	19
F	[mm]	19	26	32	44	44
G	[mm]	19	24	30	45	47
Weight		8 g	15 g	35 g	60 g	130 g
Price		\$14.69	\$18.25	\$22.03	\$26.78	\$28.78



Application example

