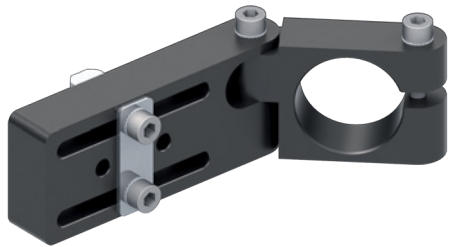
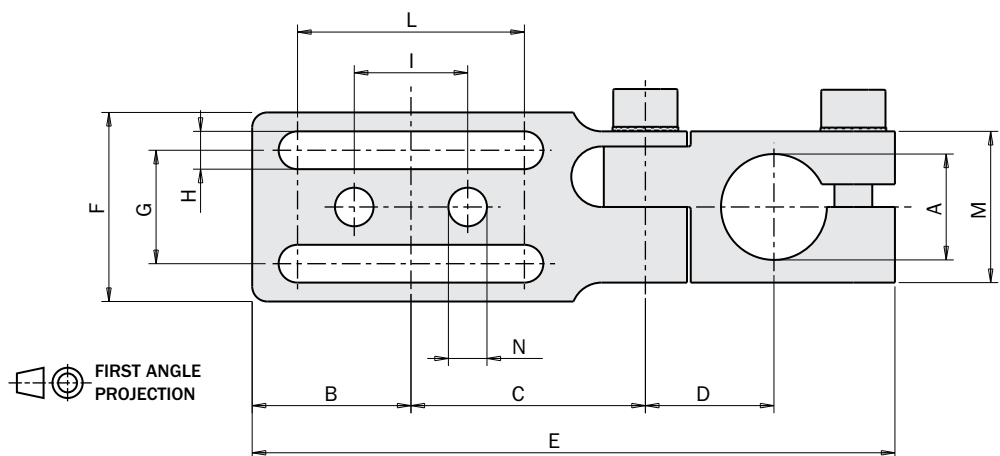


**Slotted angular bracket**

(kit with screws)



	MFI-A250	MFI-A251	MFI-A252	MFI-A253
A [mm]	Ø10	Ø14	Ø20	Ø30
B [mm]	15	21	26	32
C [mm]	23	31	39	49
D [mm]	14	17	22	28
E [mm]	64.5	85	107	135.5
F [mm]	16	25	25	36
G [mm]	8	15	15	22
H [mm]	4.1	5.1	5.1	5.1
I [mm]	-	15	15	22
L [mm]	20	30	40	50
M [mm]	16	20	25	36
N [mm]	-	Ø5.1	Ø5.1	Ø5.1
P [mm]	9	11	13	16
Weight	30 g	50 g	90 g	185 g
Price	\$34.21	\$39.85	\$45.11	\$50.62



**Application example**

