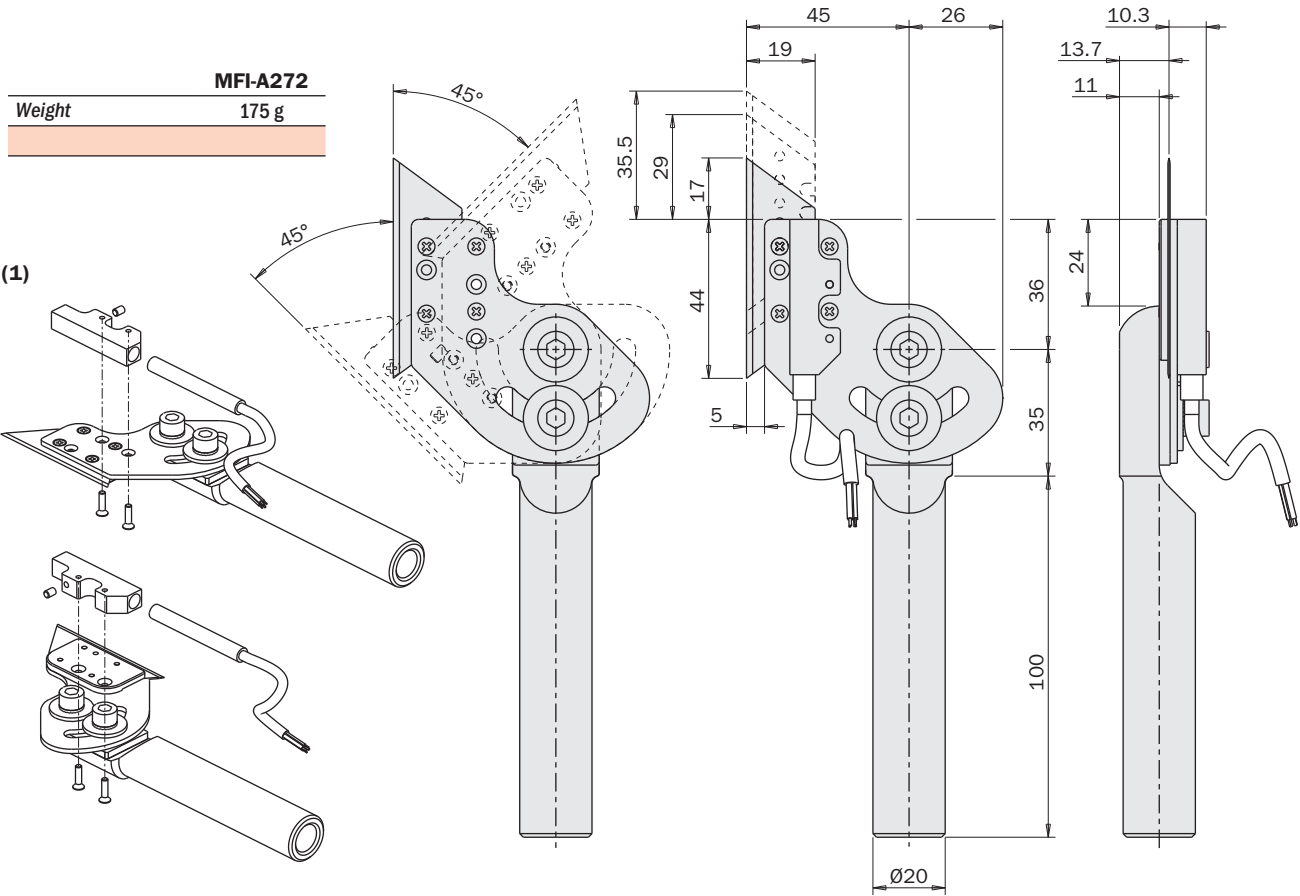
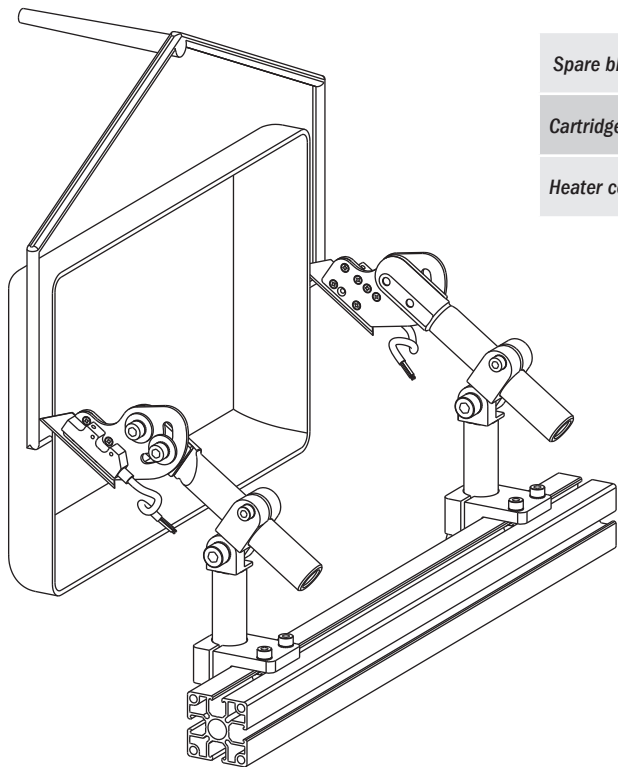


Blade holder

- Suitable for trimming, degating and deburring.
- Continuously adjustable angle from -45° to +45°.
- It can be mounted on either side (1).
- Optional heating system (2).



Application example



		Code	
Spare blade (10 pieces package)	(LA)	376Y234-10	
Cartridge resistance + thermocouple	(RT)	R50-G	
Heater control box	(TE)	CH102-G	

