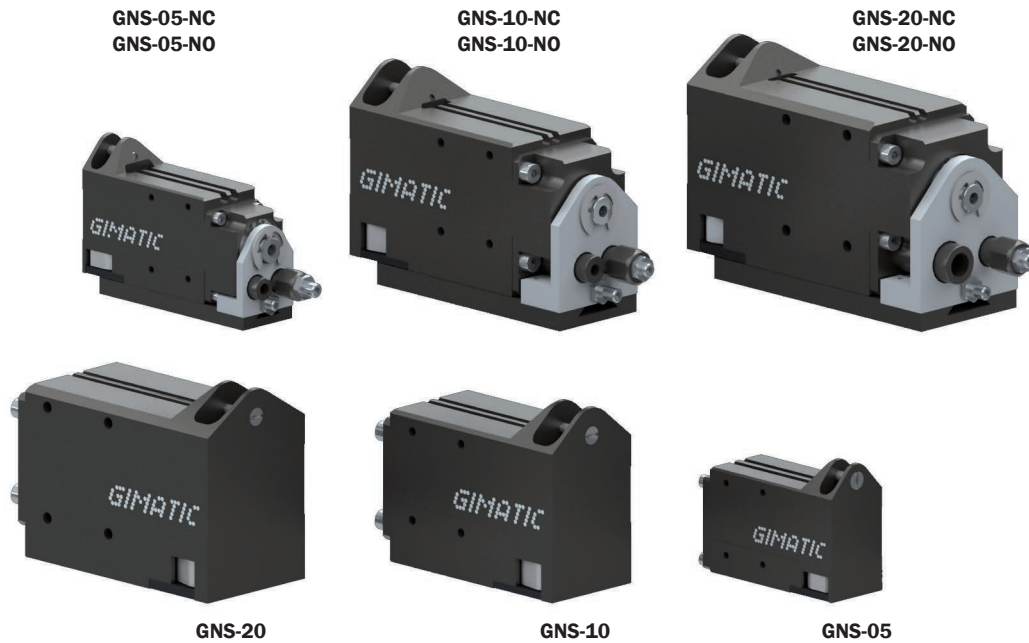


Air nipper actuators (series GNS)

- Three sizes available.
- Small dimensions.
- Usable with several standard blades.
- With or without integrated slide.
- Double-acting slide, spring closed or spring open.
- Optional magnetic sensors.

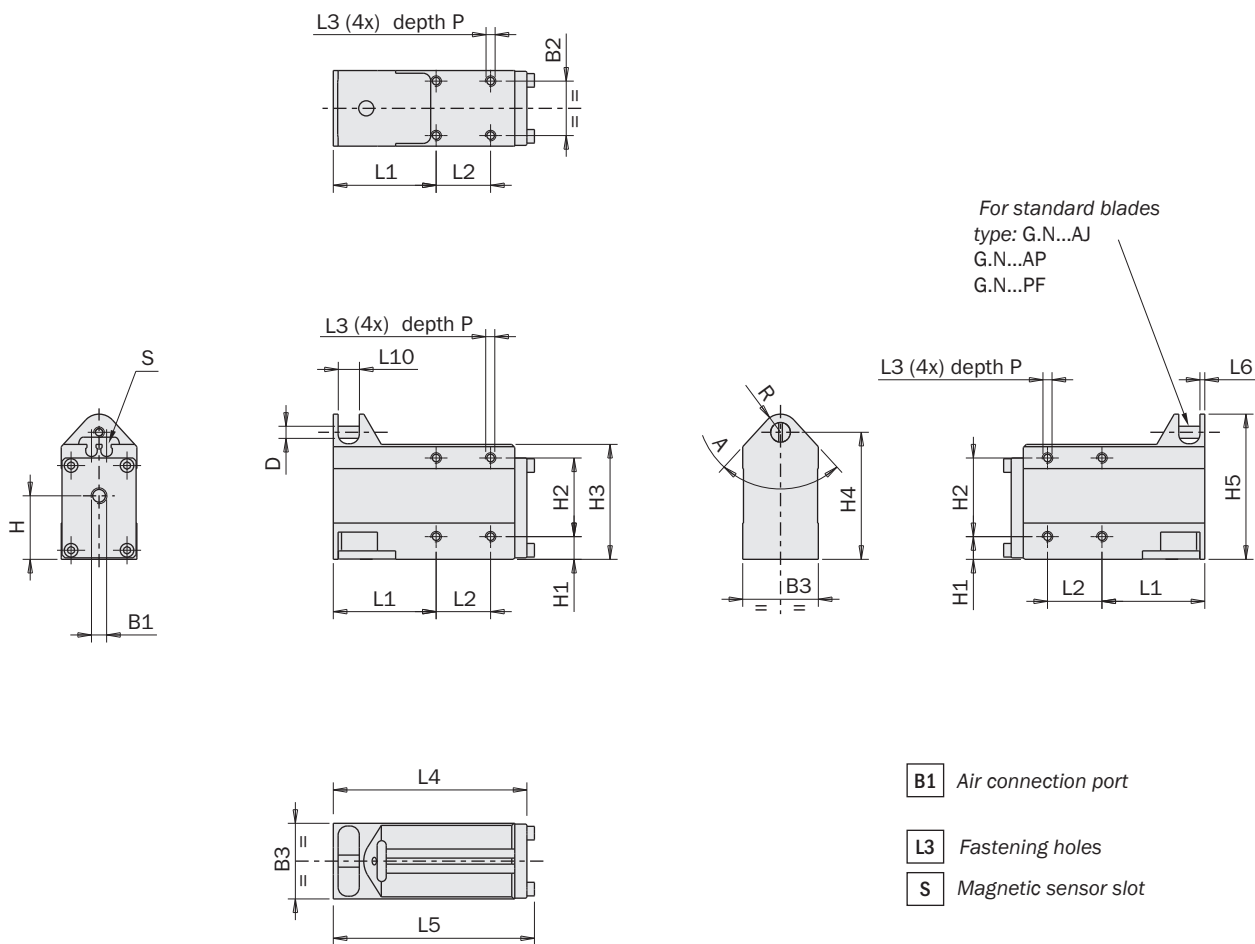


	GNS-05 GNS-05-NC GNS-05-NO	GNS-10 GNS-10-NC GNS-10-NO	GNS-20 GNS-20-NC GNS-20-NO
Medium	Filtered, lubricated / non lubricated compressed air		
Pressure range	2 ÷ 8 bar		
Temperature range	5° ÷ 60 °C		
Cutting capacity	Ø3 mm	Ø4 mm	Ø6 mm
Blade angular stroke	2x5°	2x5°	2x9°
Nipper piston bore	Ø23 mm	Ø30 mm	Ø42 mm
Closing torque at 6 bar each blade	14 Nm	34 Nm	42 Nm
Total closing torque at 6 bar	28 Nm	68 Nm	84 Nm
Cycle air consumption	6 cm ³	14 cm ³	30cm ³
Weight without blade	112 g 180 g 175 g	355 g 570 g 570 g	480 g 780 g 780 g

Dimensions (mm)

	A	B1	B2	B3	H	H1	H2	H3	H4	H5	D	L1	L2	L3	L4
GNS-05	85°	M5	18	25	21	7.5	26	38	42	48	∅4	34	18	M3	64
GNS-10	93°	M5	32	39	32	17	32	53	57	67	∅4	45	24	M4	84
GNS-20	115°	G1/8	40	48	36	15	40	62	63	73	∅4	49	30	M5	90

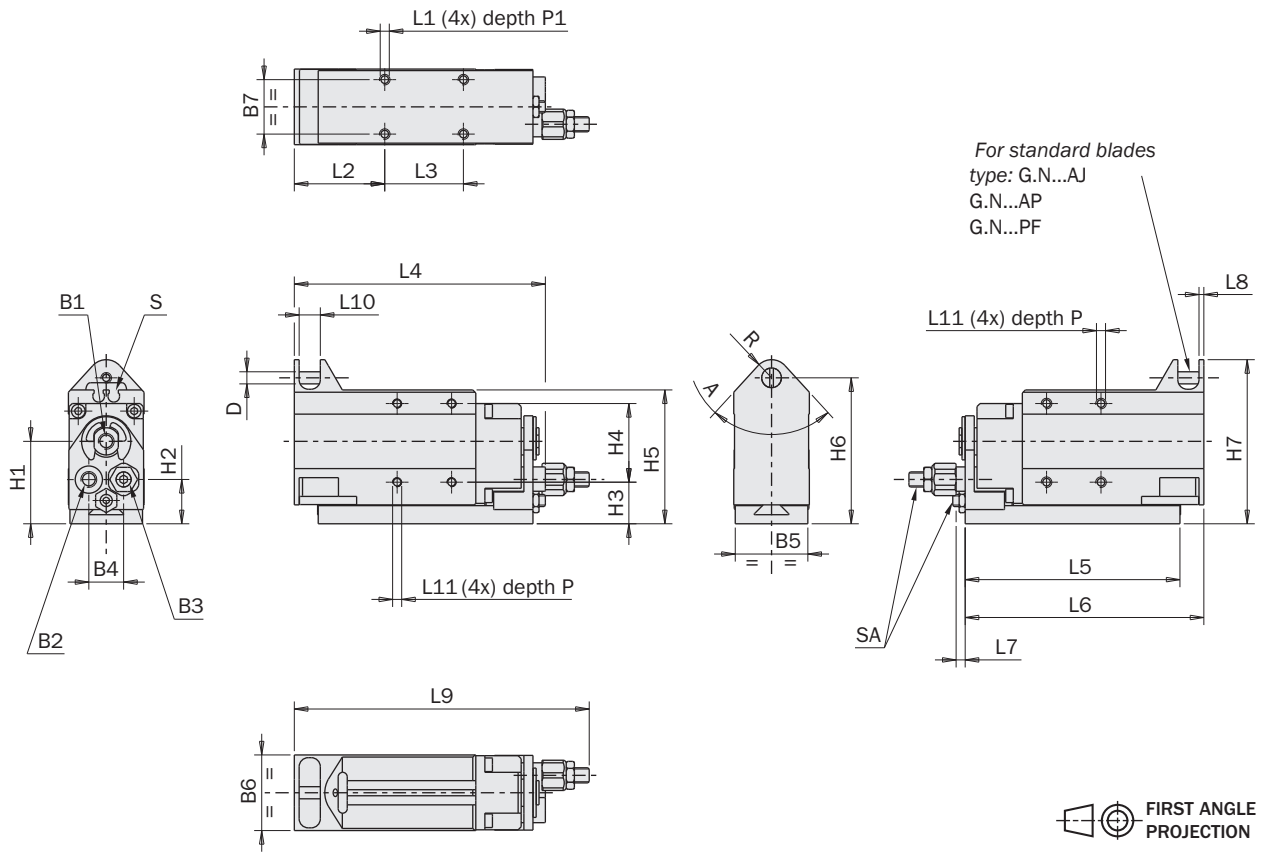
	L5	L6	L10	P	R
GNS-05	66.5	1.6	7	7	6
GNS-10	88	2	12	9	10
GNS-20	94	2	12	9	10



Dimensions (mm)

	A	B1	B2	B3	B4	B5	B6	B7	D	H1	H2	H3	H4	H5	H6
GNS-05-NC	85°	M5	M5	M5	11.5	24	25	18	∅4	27.25	14.65	13.75	26	44.25	48.25
GNS-10-NC	93°	M5	M5	M5	13	38	39	24	∅4	40.3	20.8	25.3	32	61.3	65.3
GNS-20-NC	115°	M5	G1/8	M5	20.6	47	48	30	∅4	44.3	22.8	24.3	30	70.3	71.4

	H7	L1	L2	L3	L4	L5	L6	L7	L8	L9	L10	L11	P	P1	R
GNS-05-NC	54.25	M3	29.9	26	83	71	78.9	3	1.6	97.5	7	M3	7	6	6
GNS-10-NC	75.3	M4	36.05	32	108	90	103	4	2	122	12	M4	9	8	10
GNS-20-NC	81.3	M5	45	40	121	102	115	5	2	135	12	M5	9	8	10



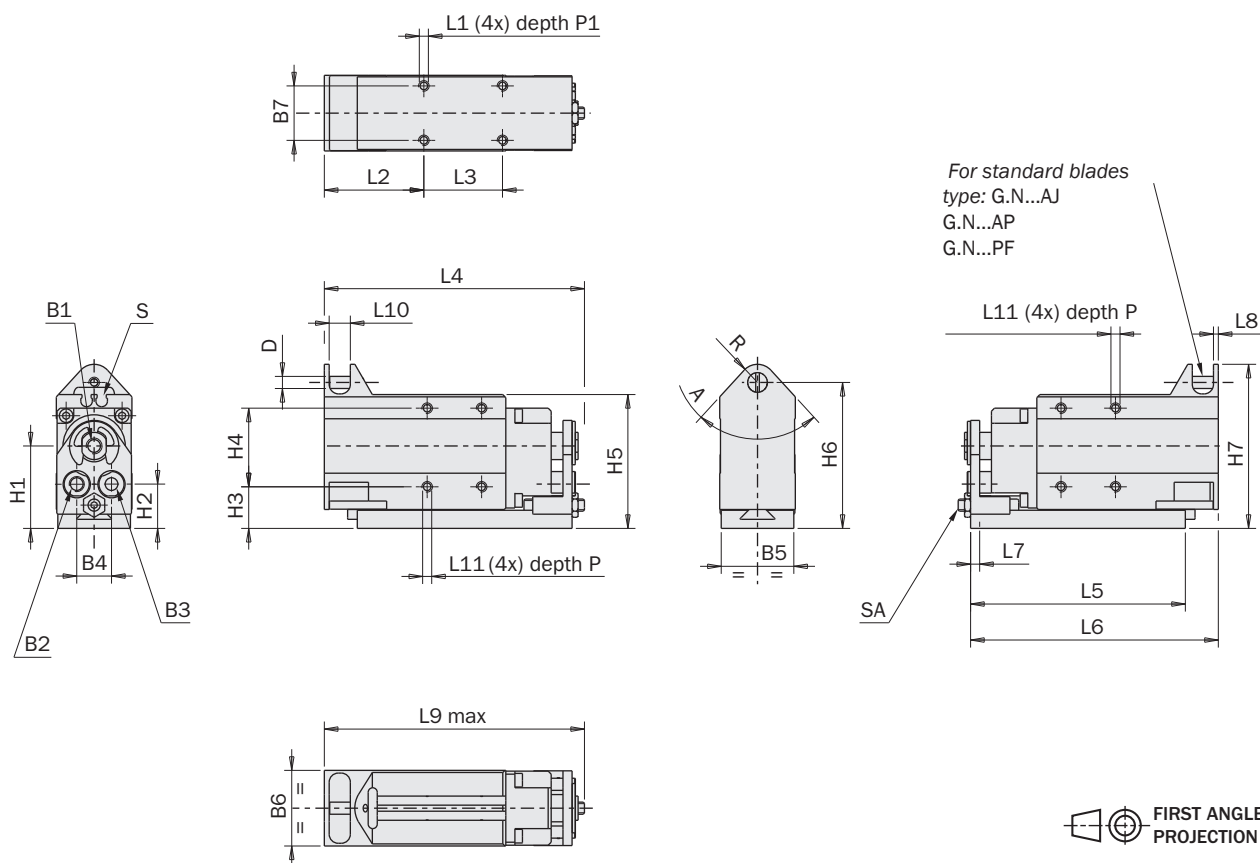
- B1** Slide opening port
- B2** Blades closing port
- B3** Slide closing port
- L1** Fastening holes
- L7** Maximun slide stroke
- S** Magnetic sensor slot
- SA** Slide stroke adjustment

	GNS-05-NC	GNS-10-NC	GNS-20-NC
Slide stroke	3 mm	4 mm	5 mm
Slide bore	18 mm	20 mm	25 mm
Closing force at 6 bar on the slide	140 N	185 N	290 N
Opening force at 6 bar on the slide	115 N	130 N	240 N
Closing force at 0 bar on the slide	30 N	50 N	50 N
Opening force at 0 bar on the slide	0 N	0 N	0 N

Dimensions (mm)

	A	B1	B2	B3	B4	B5	B6	B7	D	H1	H2	H3	H4	H5	H6
GNS-05-NO	85°	M5	M5	M5	11.5	24	25	18	∅4	27.25	14.65	13.75	26	44.25	48.25
GNS-10-NO	93°	M5	M5	M5	13	38	39	24	∅4	40.3	20.8	25.3	32	61.3	65.3
GNS-20-NO	115°	M5	G1/8	M5	20.6	47	48	30	∅4	44.3	22.8	24.3	30	70.3	71.4

	H7	L1	L2	L3	L4	L5	L6	L7	L8	L9	L10	L11	P	P1	R
GNS-05-NO	54.25	M3	29.9	26	83	71	81.9	3	1.6	86	7	M3	7	6	6
GNS-10-NO	75.3	M4	36.05	32	108	90	107	4	2	117	12	M4	9	8	10
GNS-20-NO	81.3	M5	49	40	121	102	120	5	2	129	12	M5	9	8	10

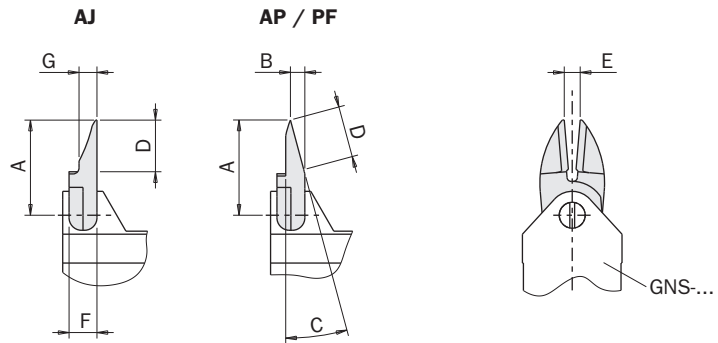
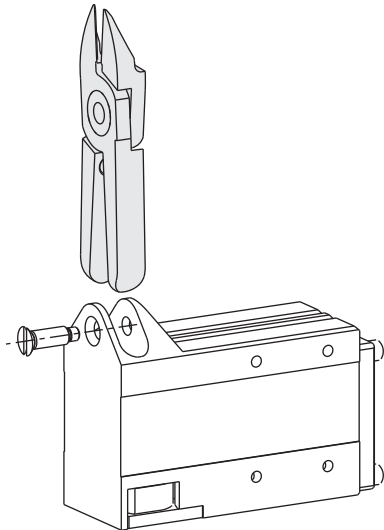
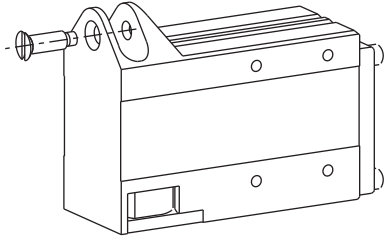
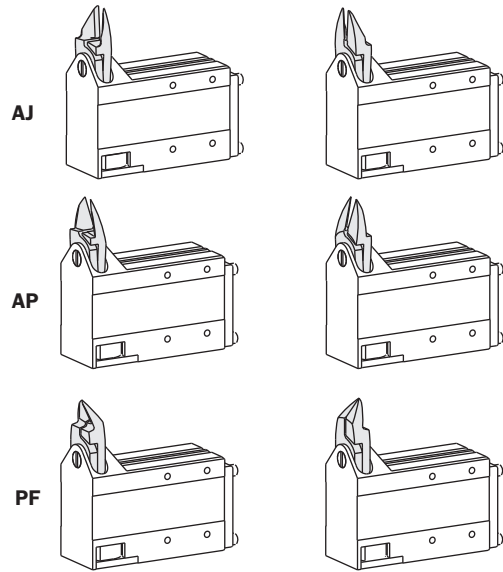
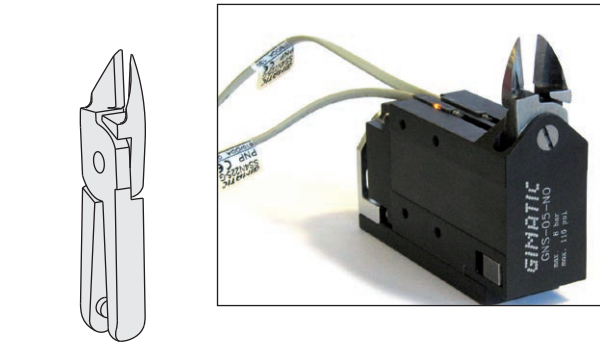


- B1** Slide opening port
- B2** Blades closing port
- B3** Slide closing port
- L1** Fastening holes
- L7** Maximun slide stroke
- S** Magnetic sensor slot
- SA** Slide stroke adjustment

	GNS-05-NO	GNS-10-NO	GNS-20-NO
Slide stroke	3 mm	4 mm	5 mm
Slide bore	18 mm	20 mm	25 mm
Closing force at 6 bar on the slide	75 N	85 N	180 N
Opening force at 6 bar on the slide	180 N	230 N	345 N
Closing force at 0 bar on the slide	0 N	0 N	0 N
Opening force at 0 bar on the slide	35 N	50 N	60 N

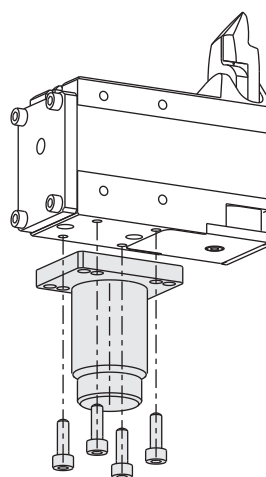
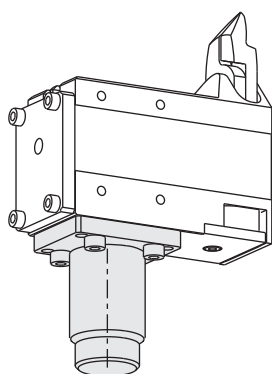
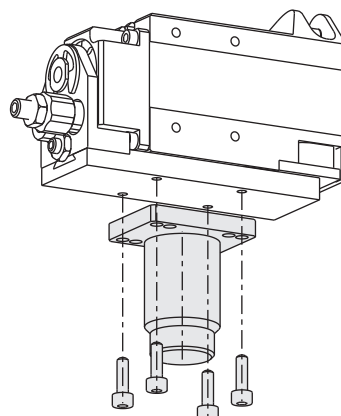
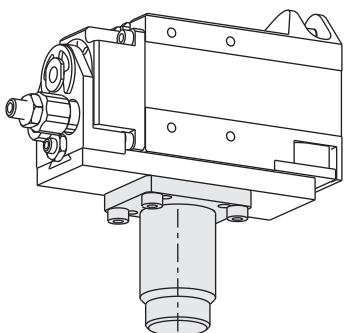
Blades

The blades can be mounted on either side.



Blades	Nipper	Blade style	A	B	C	D	E	F	G	Weight
G.N5AJ	GNS-05-...	inline	24	-	-	13	5	7	4.5	33 g
G.N5AP	GNS-05-...	standard	24	3.6	15°	11.5	4	7	-	34 g
G.N5PF	GNS-05-...	deep angle	24	7	40°	9.7	4	7	-	35 g
G.N10LAJ	GNS-10-...	long inline	35	-	-	18	6.5	12	8	117 g
G.N10LAP	GNS-10-...	long, standard	36	5.3	15°	16	6	12	-	115 g
G.N10LPF	GNS-10-...	long, deep angle	35	12	40°	13.5	5.5	12	-	112 g
G.N20AJ	GNS-20-...	inline	34.5	-	-	18	11.5	12	8	121 g
G.N20AP	GNS-20-...	standard	35	3.5	15°	16	11	12	-	120 g
G.N20PF	GNS-20-...	deep angle	35	12	40°	13.5	11	12	-	124 g
G.N20AJL	GNS-20-...	long inline	65	-	-	20	16	12	7.2	220 g

Assembly bracket



	GNS-05 GNS-05-NC GNS-05-NO	GNS-10 GNS-10-NC GNS-10-NO	GNS-20 GNS-20-NC GNS-20-NO
MFM-A107	☑		
MFM-A108		☑	
MFM-A109			☑

