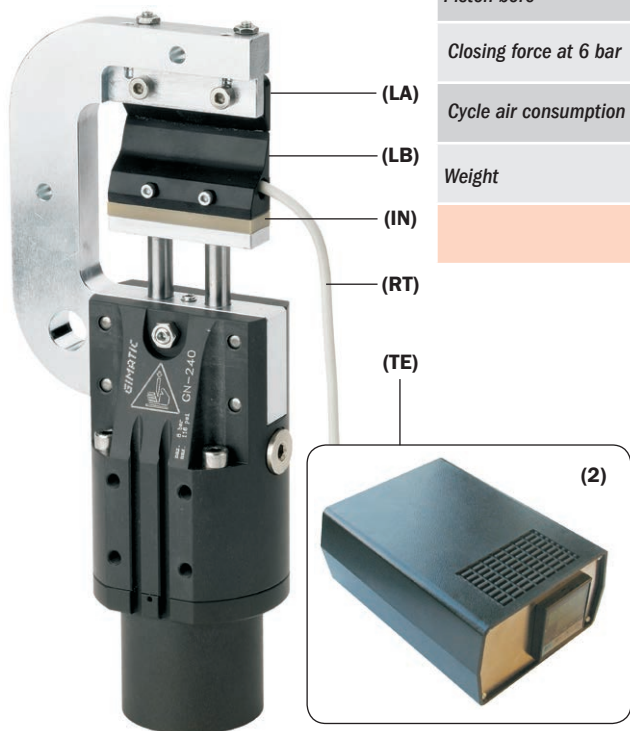


**Thrust Cut Nippers**

- Two sizes available.
- Double-acting operation with tandem cylinders.
- Optional magnetic sensors (1).
- Optional blade heating system (2).
- The blades (LA and LB) are available as spare parts.

	GN-240	GN-263
Medium	Filtered, lubricated / non lubricated compressed air	
Pressure range	2 ÷ 6 bar	
Temperature range	5° ÷ 60 °C.	
Maximum stroke	20 mm	32 mm
Piston bore	Ø40 mm	Ø63 mm
Closing force at 6 bar	1470 N	3648 N
Cycle air consumption	75 cm <sup>3</sup>	291 cm <sup>3</sup>
Weight	1330 g	2900 g

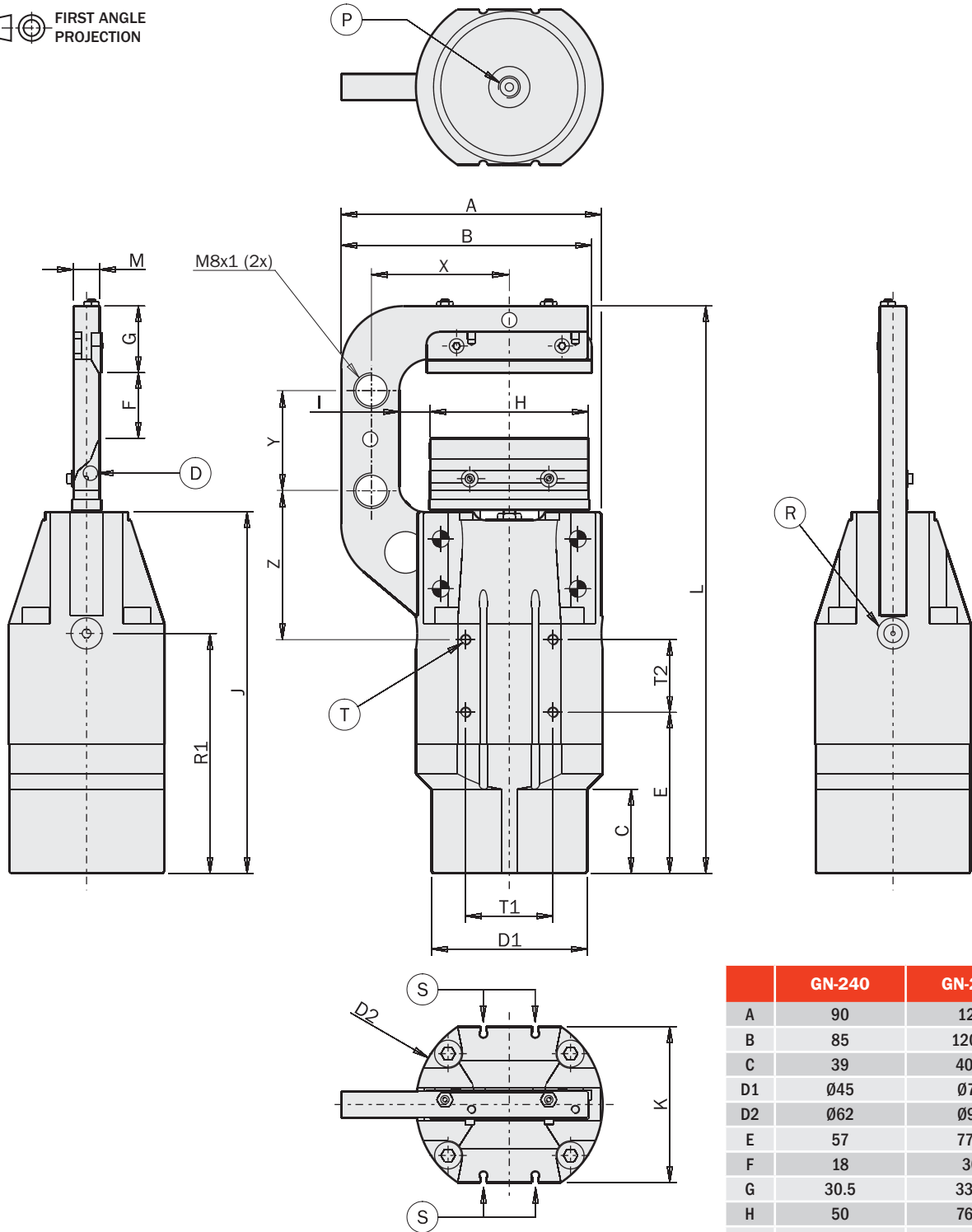


	GN-240	GN-263
--	--------	--------

		Code		Code	
Spare blade	(LA)	5620		5617	
	(LB)	5619		5616	
High temperature insulation	(IN)	GN-340-18		GN-363-18	
Cartridge resistance + thermocouple (J)	(RT)	R50-G		R75-G	
Temperature range		250°C		250°C	
Power		100W		120W	
Cable		1.2m		1.2m	
Heater control box	(TE)	CH102-G		CH102-G	
Operating voltage		100÷240Vac 50/60Hz		100÷240Vac 50/60Hz	
Cable		Not supplied		Not supplied	

Dimensions (mm)

FIRST ANGLE PROJECTION



- (P) Compressed air connection: CLOSING
- (R) Compressed air connection: OPENING
- (S) Slot for SS series sensors
- (T) Threaded hole for fastening
- (D) Heating system housing Ø6.35

	GN-240	GN-263
A	90	126
B	85	120.7
C	39	40.5
D1	Ø45	Ø75
D2	Ø62	Ø90
E	57	77.5
F	18	30
G	30.5	33.5
H	50	76.2
I	10	14.9
J	134.5	174
K	54	74.6
L	220	273
M	12.7	12.7
P	G1/8"	G1/8"
R	G1/8"	G1/8"
R1	90.25	115.5
T	M5x7mm	M5x9.5mm
T1	25	42
T2	25	35
Z	62.75	66.5
X	47.5	67
Y	40	60