

2-jaw parallel-acting self-centering pneumatic gripper series SGP-S

- Double acting.
- Exclusive backlash adjusting system.
- High performance in small dimensions.
- The rugged construction lends itself to heavy duty applications for a trouble free long life without maintenance.
- Different options for fastening and feeding.
- Prepared for adjustable inductive sensors.

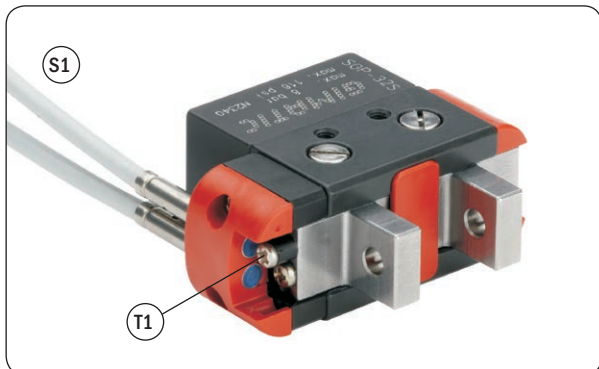


	SGP-20S	SGP-25S	SGP-32S	SGP-40S
Medium	Filtered, lubricated / non lubricated compressed air			
Pressure range	2 ÷ 8 bar			
Temperature range	5° ÷ 60°C.			
Opening gripping force at 6 bar each jaw	23 N	52 N	67 N	80 N
Opening total gripping force at 6 bar	46 N	104 N	134 N	160 N
Closing gripping force at 6 bar each jaw	20 N	47 N	60 N	73 N
Closing total gripping force at 6 bar	40 N	94 N	120 N	146 N
Total stroke (±0.3 mm)	4 mm	6 mm	8 mm	12 mm
Maximum working frequency	3 Hz	3 Hz	3 Hz	3 Hz
Cycle air consumption	0.5 cm ³	1.4 cm ³	2.4 cm ³	4.5 cm ³
Closing time without load	0.01 s	0.01 s	0.02 s	0.05 s
Repetition accuracy	0.02 mm	0.02 mm	0.02 mm	0.02 mm
Weight	33 g	43 g	86 g	170 g

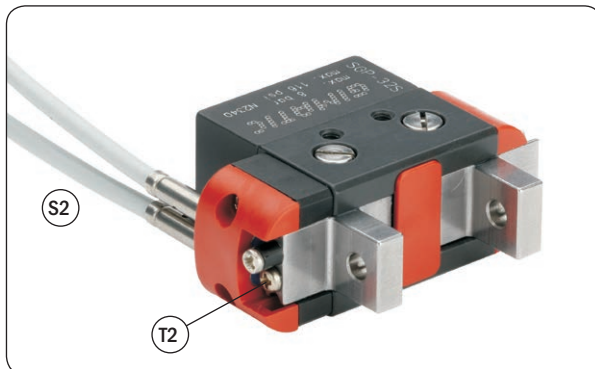
Sensors

The operating position can be checked by two inductive sensors S1 and S2 (not supplied), detecting the position of the screw heads T1 and T2 placed on the right jaw.

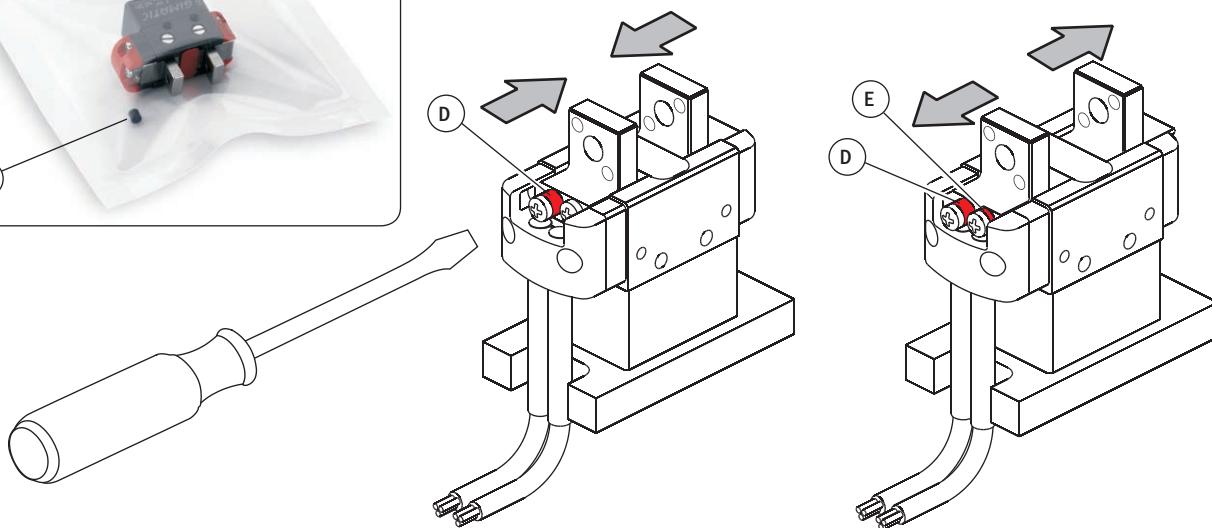
Fully closed gripper



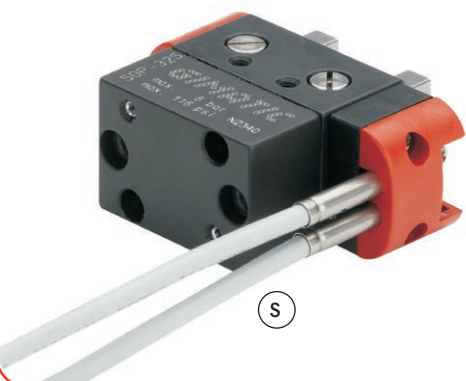
Fully open gripper



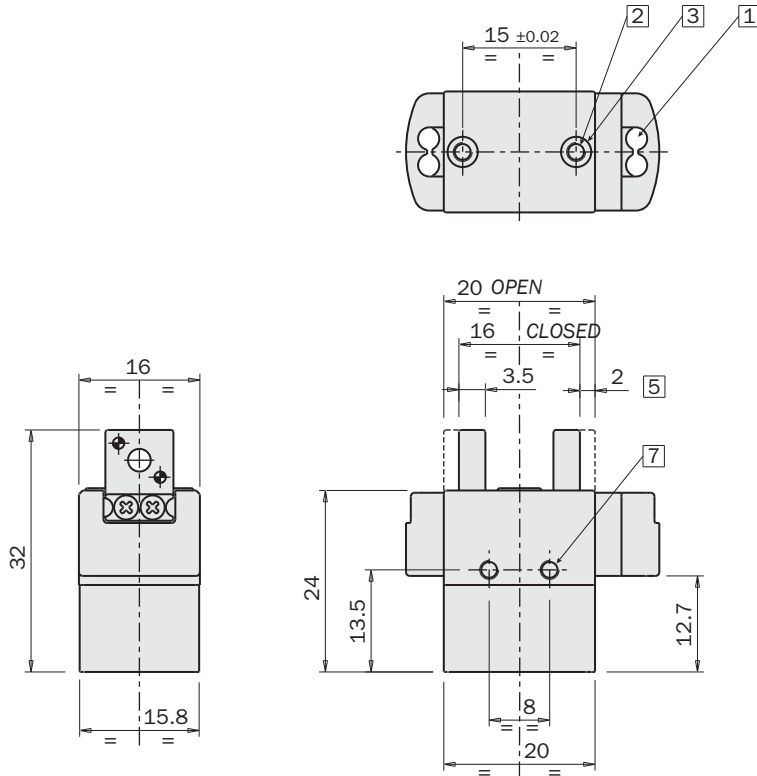
The detected position can be adjusted by the screws. The plastic spacer (D) has to be shortened according to the adjustment. The second spacer (E) is to be installed, when the gripper is used for internal gripping applications.



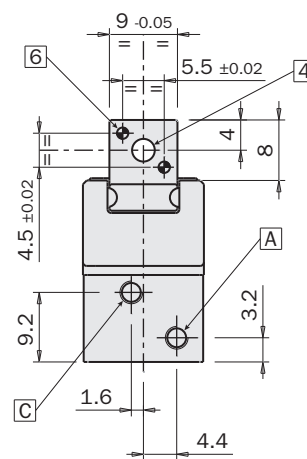
Use 3mm diameter inductive sensors, on the SGP-20S and 4mm diameter, on the other sizes.



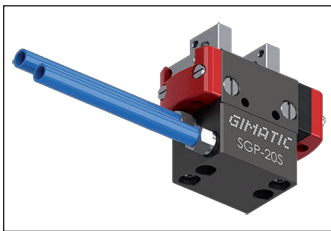
	SGP-20S	SGP-25S	SGP-32S	SGP-40S
S	Ø3mm	Ø4mm	Ø4mm	Ø4mm



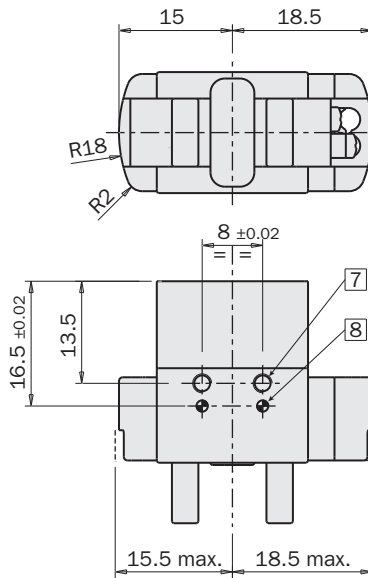
- 1 Hole for inductive sensor $\varnothing 3$
- 2 (N°2) M2.5x6mm Hole for fastening
- 3 (N°2) $\varnothing 4H8x2$ mm Centering sleeve hole
- 4 $\varnothing 3H11x3.5$ mm Through hole for fastening



RG.RO-1376-AS1
Straight M3 fitting



RG.RO-1376-AS2
Adjustable M3 fitting

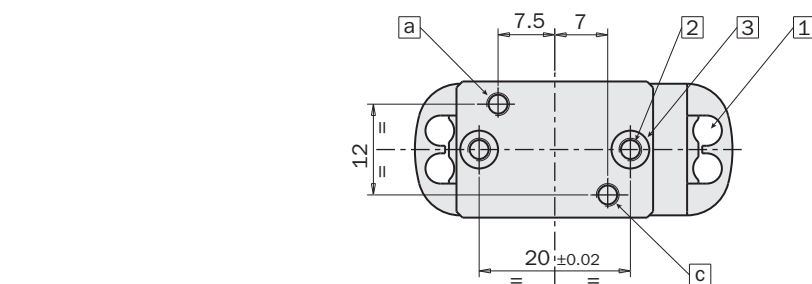


- 5 Stroke each jaw
- 6 $\varnothing 1.5H8x3.5$ mm Dowel pin hole
- 7 (N°2) M2.5x4mm Hole for fastening
- 8 $\varnothing 1.5H8x3$ mm Dowel pin hole
- A M3 Compressed air in A: gripper opening
- C M3 Compressed air in C: gripper closing

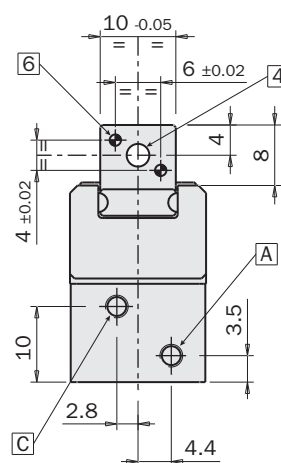
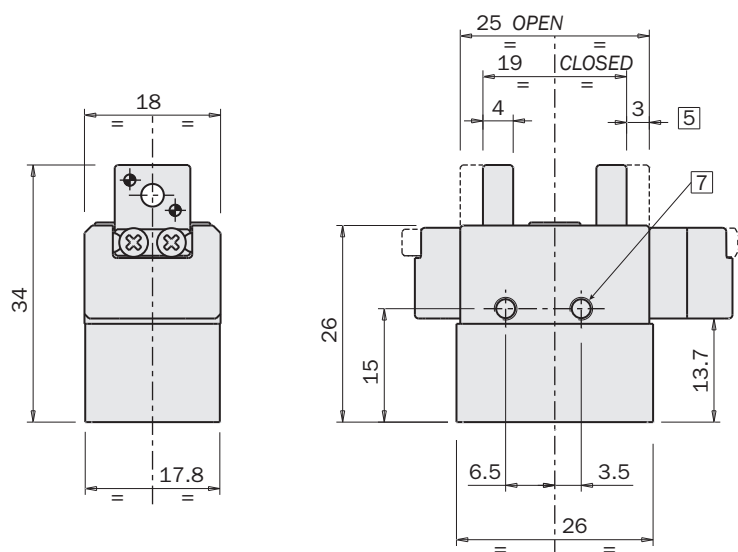


Dimensions (mm)

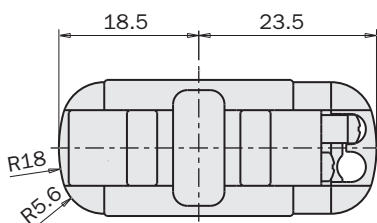
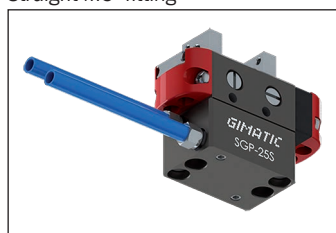
SGP-25S



- 1 Hole for inductive sensor Ø4
- 2 (N°2) M3x7mm
Hole for fastening
- 3 (N°2) Ø5H8x2.4mm
Centering sleeve hole
- 4 Ø3H11x4mm
Through hole for fastening

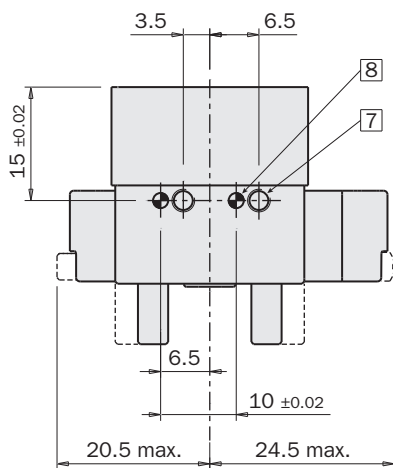
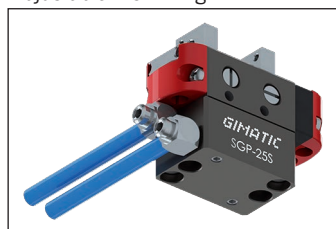


RG.RO-1376-AS1
Straight M3 fitting



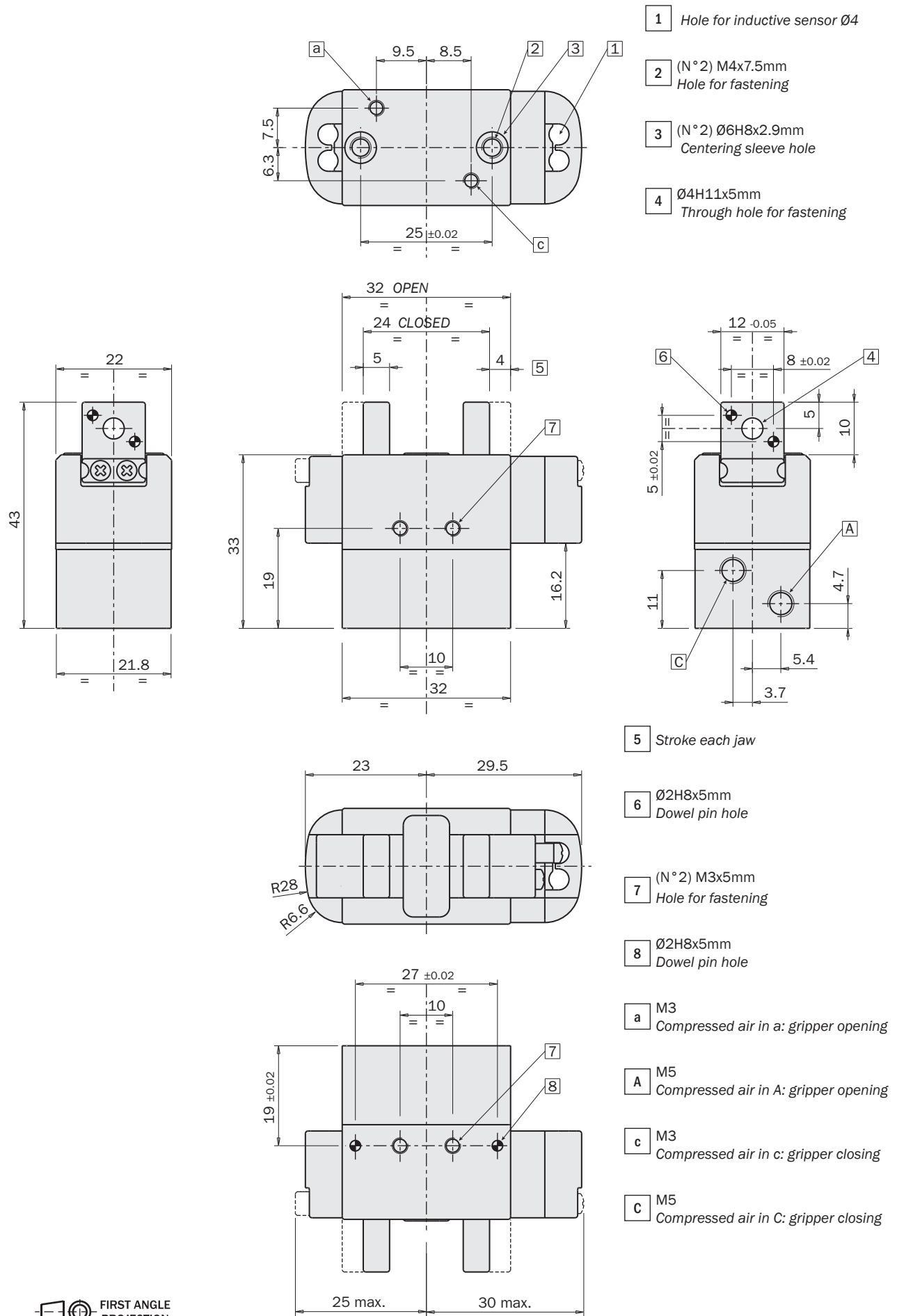
- 5 Stroke each jaw
- 6 Ø1.5H8x4mm
Dowel pin hole
- 7 (N°2) M3x5mm
Hole for fastening

RG.RO-1376-AS2
Adjustable M3 fitting



- 8 Ø2H8x4mm
Dowel pin hole
- a M3
Compressed air in a: gripper opening
- A M3
Compressed air in A: gripper opening
- c M3
Compressed air in c: gripper closing
- C M3
Compressed air in C: gripper closing

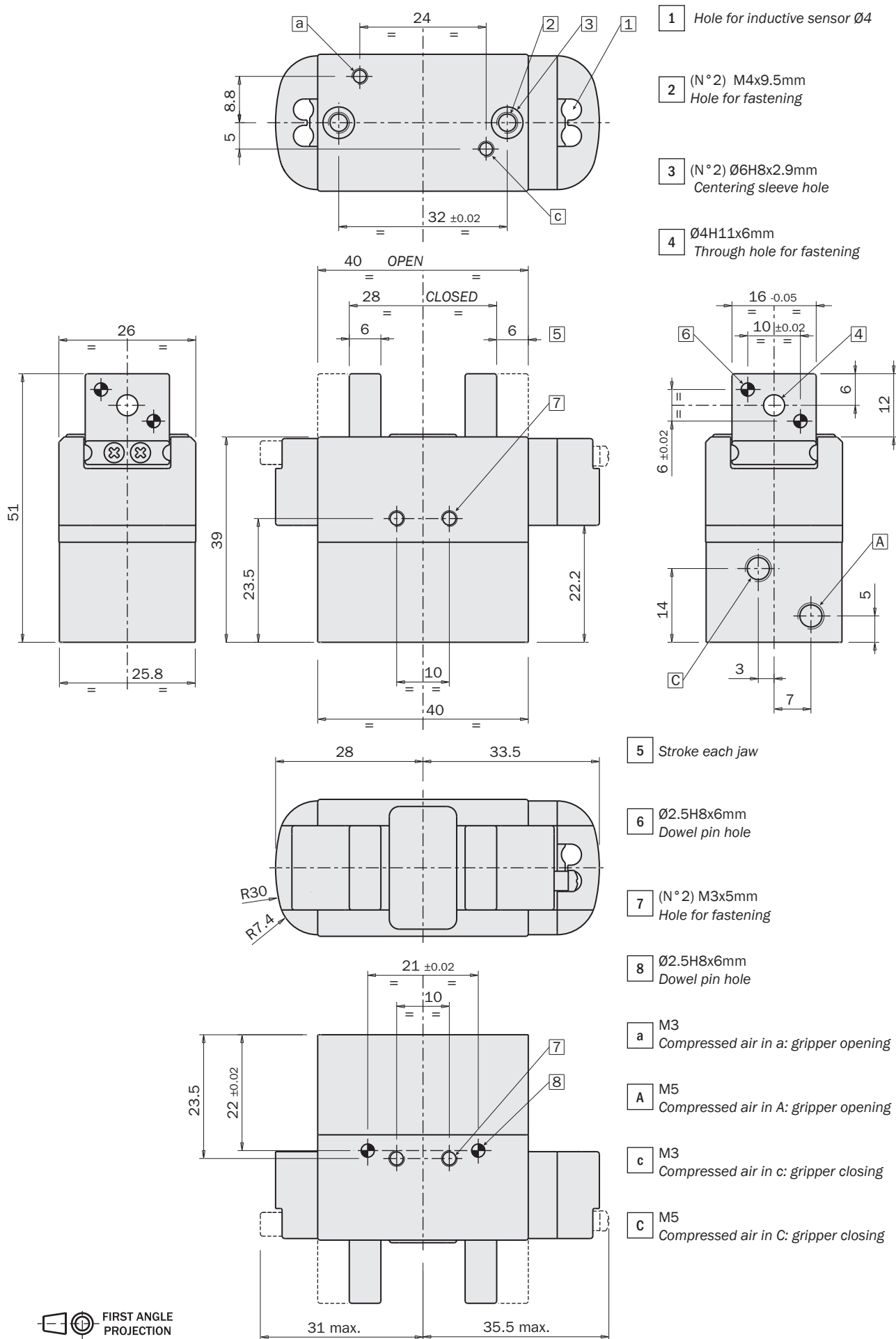




FIRST ANGLE PROJECTION

Dimensions (mm)

SGP-40S



FIRST ANGLE PROJECTION