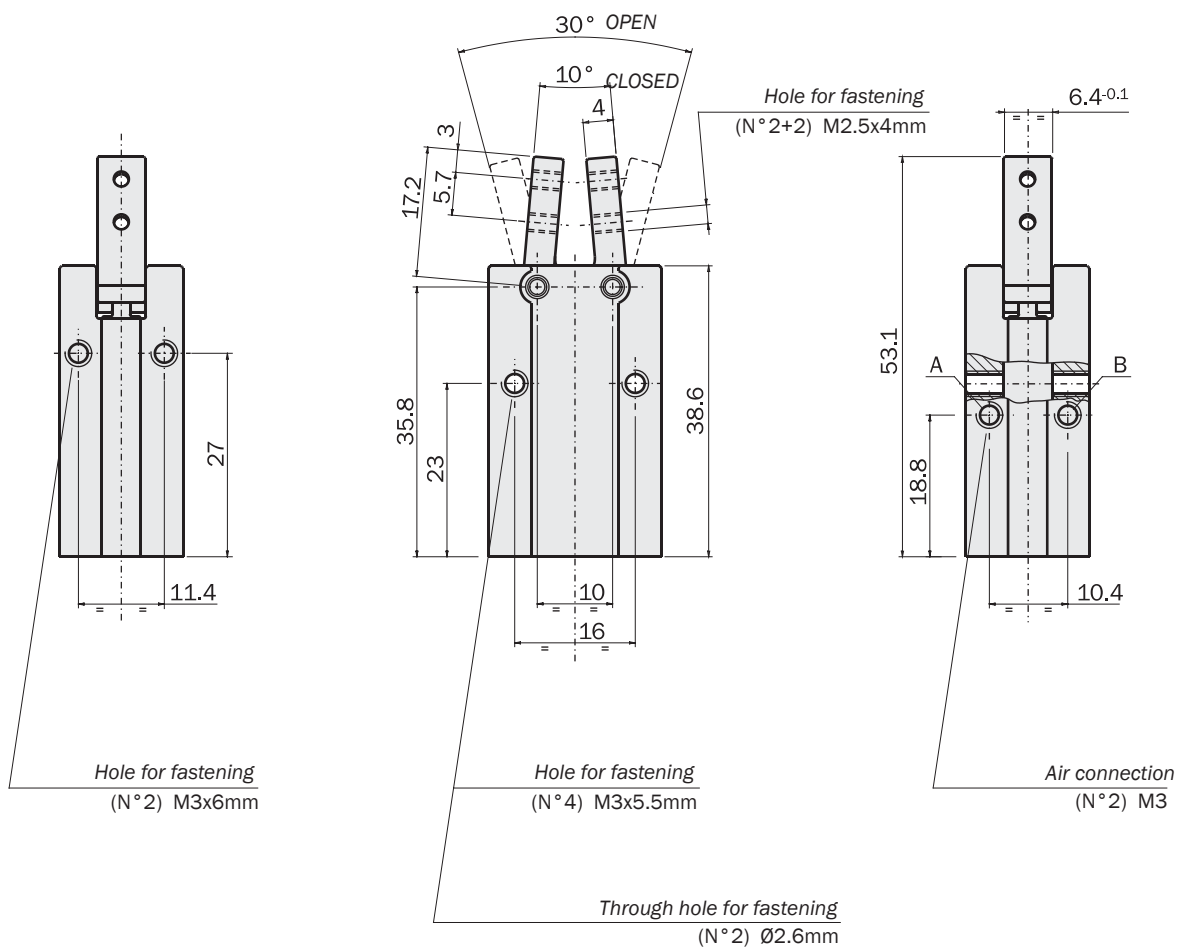
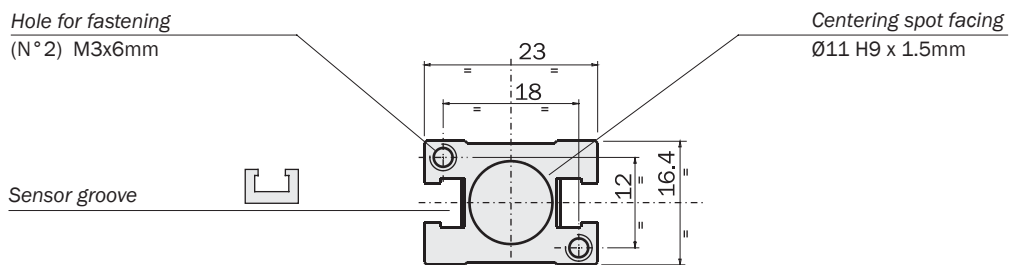


2-jaw self centering rocking pneumatic gripper series GW

- Double acting.
- Long life and reliability, maintenance free.
- Different options for fastening.
- Optional proximity magnetic sensors.
- Spring closed (-NC) or spring open (-NO) option.

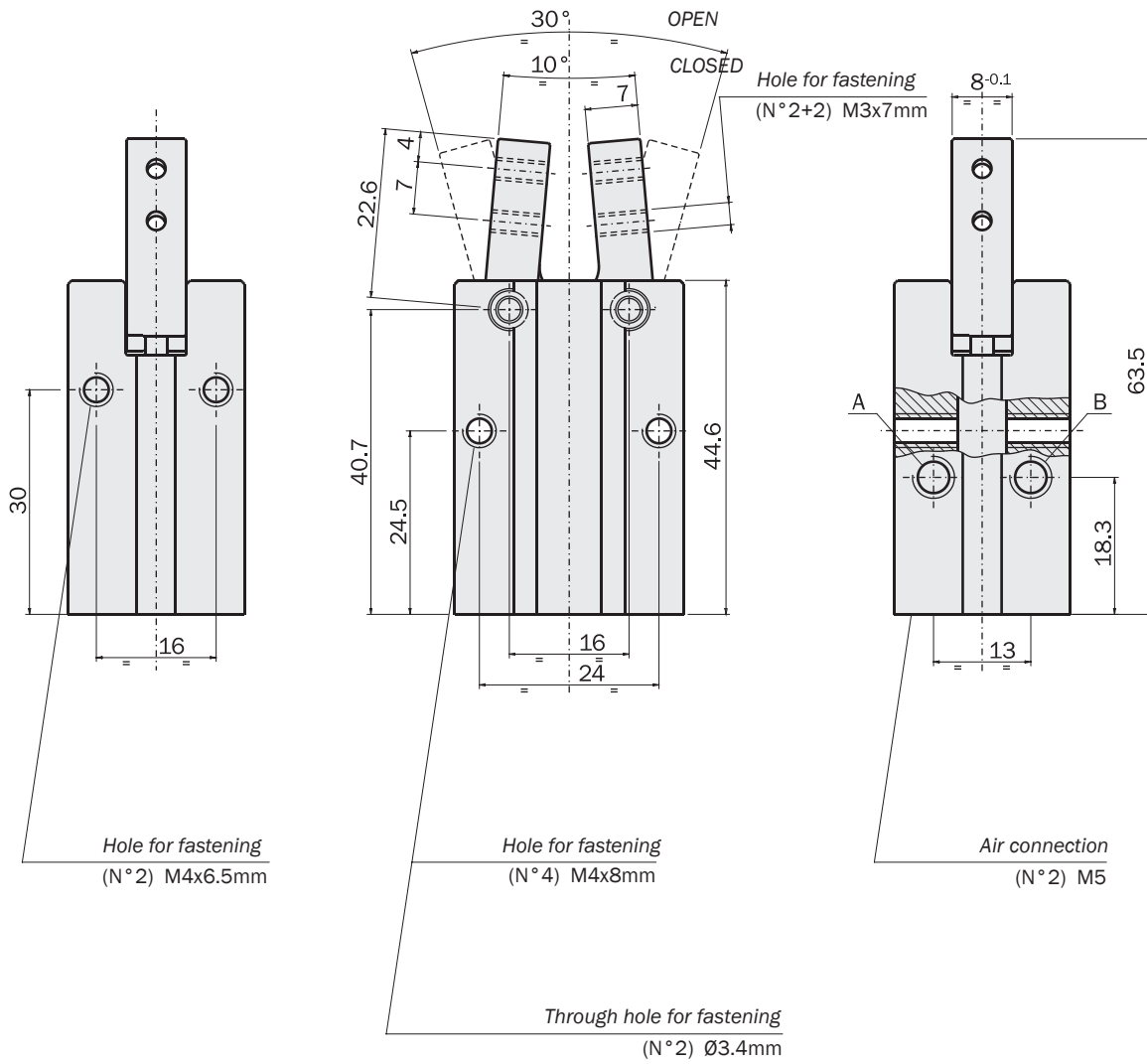
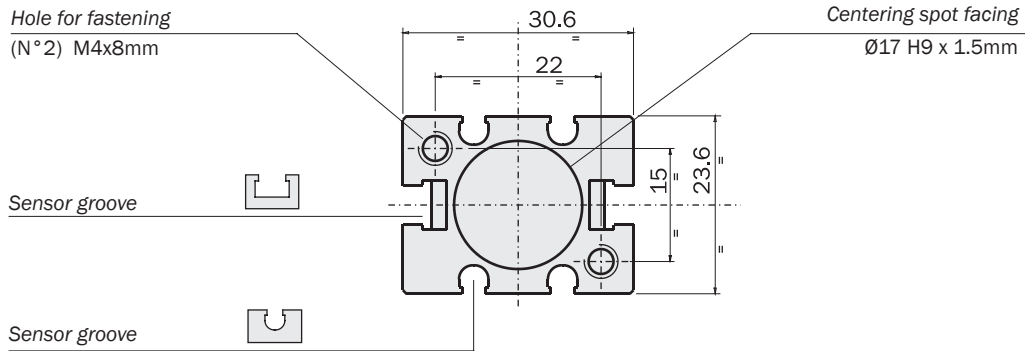


	GW-10	GW-16	GW-20	GW-25
Medium	Filtered, lubricated / non lubricated compressed air			
Pressure range	2 ÷ 8 bar			
Temperature range	5° ÷ 60°C.			
Opening torque at 6 bar each jaw	11 Ncm	45 Ncm	89 Ncm	178 Ncm
Opening total torque at 6 bar	22 Ncm	90 Ncm	178 Ncm	356 Ncm
Closing torque at 6 bar each jaw	8 Ncm	36 Ncm	78 Ncm	160 Ncm
Closing total torque at 6 bar	16 Ncm	72 Ncm	156 Ncm	320 Ncm
Stroke (±1°)	2x20°	2x20°	2x20°	2x20°
Maximum working frequency	3 Hz	3 Hz	2 Hz	2 Hz
Cycle air consumption	0.7 cm ³	3 cm ³	6 cm ³	11 cm ³
Closing time without load	0.005 s	0.005 s	0.02 s	0.02 s
Repetition accuracy	0.04°	0.04°	0.04°	0.04°
Weight	39 g	88 g	171 g	300 g

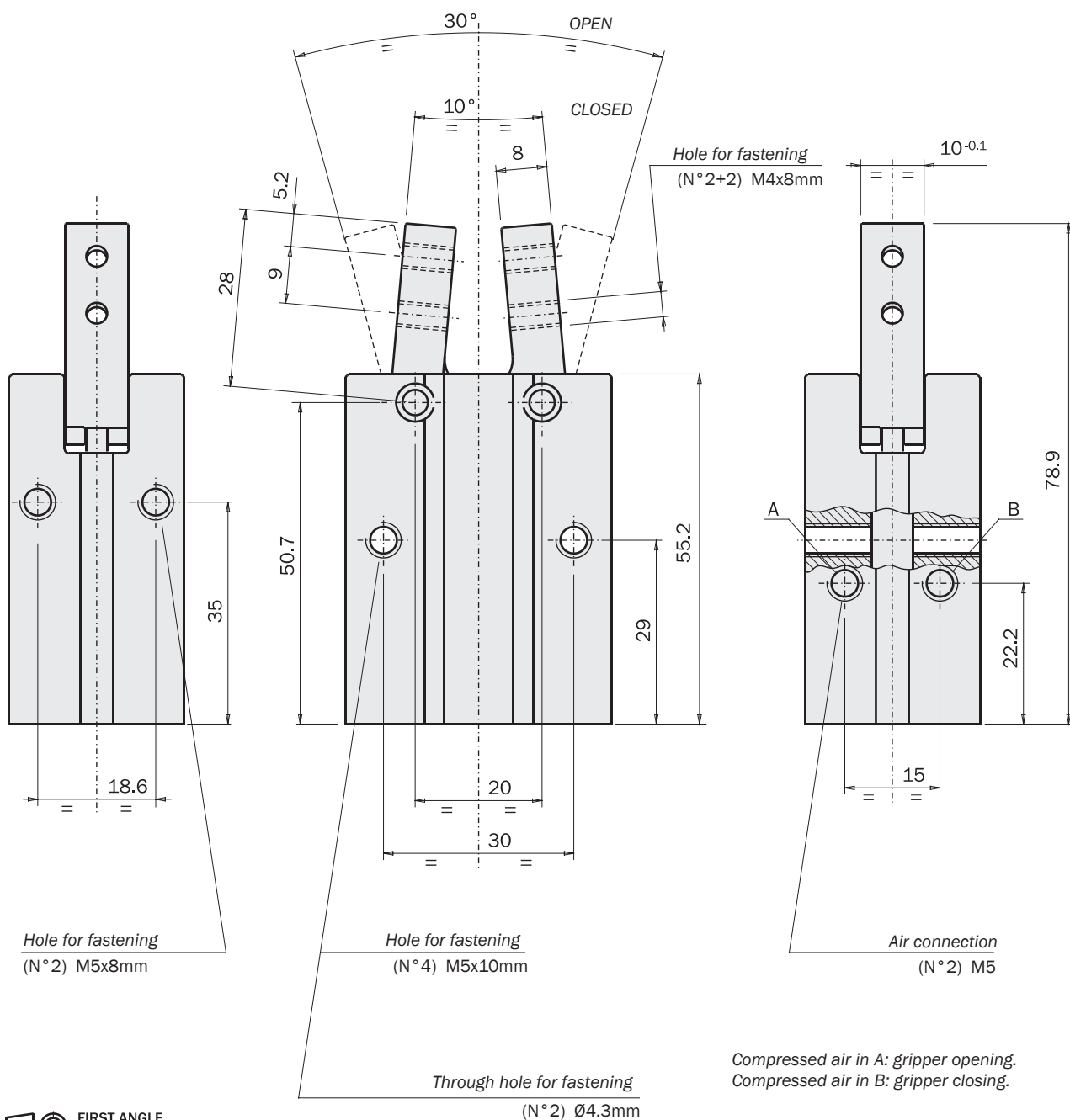
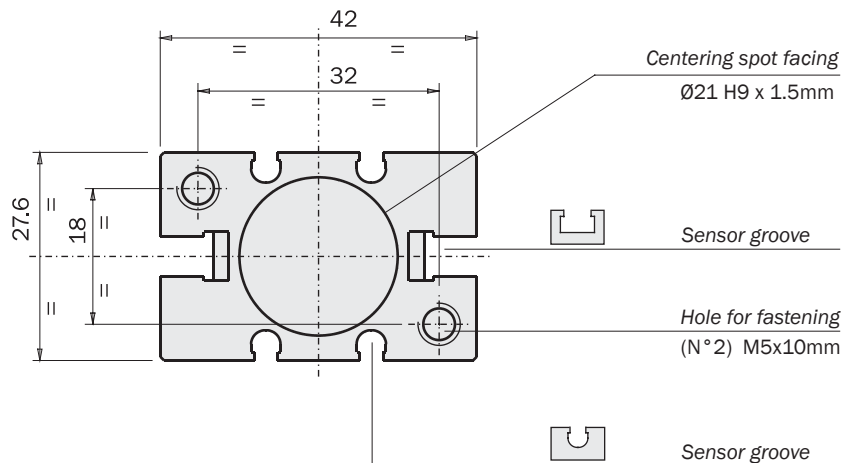


Compressed air in A: gripper opening.
Compressed air in B: gripper closing.



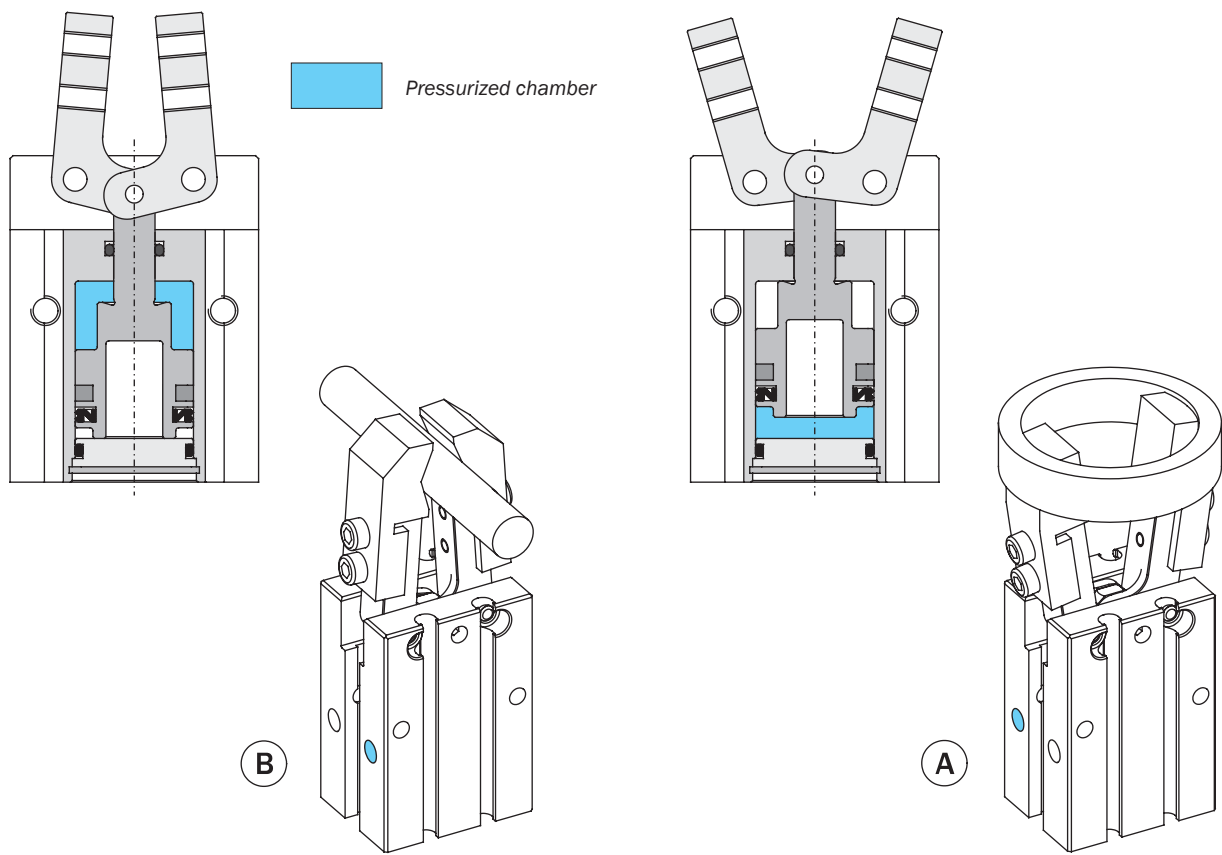


Compressed air in A: gripper opening.
Compressed air in B: gripper closing.



Gripping

The gripper is double-acting for either internal (A) or external (B) gripping applications. The opening force is higher.



It is also available, on request, with a closing (-NC) or opening (-NO) spring, providing, after a pressure black-out, about one fourth of the output force at 6 bar.

